



PARTS CATALOGUE

WR250FS (5UM5) U49

WR250F (5UM6) EUROPE

WR250FS (5UM7) CANADA, OCEANIA, SOUTH AFRICA



1C5UM-100E1

(2C5UM-100E1)

| NEWS No. | DATE | COMMENT |
|---------------|--------------|---|
| PE0-MC-040021 | Apr.,23,2004 | FIG.11: EXHAUST LIST&ILLUSTRATION CORRECTION |
| PE0-MC-040136 | Nov.,02,2004 | FIG.3: VALVE LIST CORRECTION |
| PE0-MC-070092 | Dec.,07,2007 | FIG.10: CARBURETOR LIST&ILLUSTRATION CORRECTION |

WR250FS/WR250F
PARTS CATALOGUE
©2003 by Yamaha Motor Co., Ltd.
1st edition, October 2003
All rights reserved.
Any reprinting or unauthorized use
without the written permission of
Yamaha Motor Co., Ltd.
is expressly prohibited.
Printed in Japan.

A3

WR250FS/WR250F



A4

FOREWORD

This Parts Catalogue is related to the parts for the model(s) on the cover page. When you are ordering replacement parts, please refer to this Parts Catalogue and quote both part numbers and part names correctly.

1. Modifications or additions which have been made after the issue of the Parts Catalogue will be announced in the Parts News.

It is advisable that you make the necessary corrections to the Parts Catalogue according to the Parts News.

2. Abbreviations

The following abbreviations are used in this Parts Catalogue.

“UR” Use specified parts number.

“UN” Use as many as needed.

“AP” Alternate Parts

“LM” Locally Made (Parts need to be ordered locally)

“F#” Frame No. (Applicable machine No.)

“O/S” Over Size

3. The number of components for assembly

- Parts, which are to be supplied in an assembly, are listed with a dot (.) in front of the part name as shown below.
- The numeral appearing to the right of each component part indicates the quantity of parts for each assembly unit.

| PART NO. | DESCRIPTION | Q'TY | REMARKS |
|--------------|--------------------------|------|---------|
| 2F5-83310-60 | FRONT FLASHER LIGHT ASSY | 2 | |
| 115-83311-60 | .BULB (6V-18W) | 1 | |

4. Applicable colours of graphics are represented in the “REMARKS” as shown below.

| PART NO. | DESCRIPTION | Q'TY | REMARKS |
|-----------------|---------------------|------|---------|
| 2N4-24110-00-X5 | FUEL TANK COMP. | 2 | MXR |
| 3J1-24240-10 | .GRAPHIC, FUEL TANK | 1 | FOR MXR |

5. Note that the illustrations for reference in finding parts numbers are not to be used for assembling. When assembling, please use the applicable service manual.

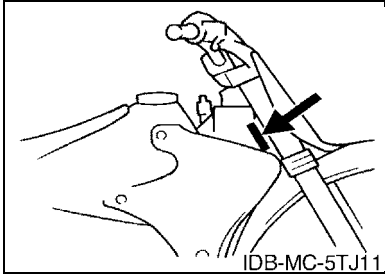
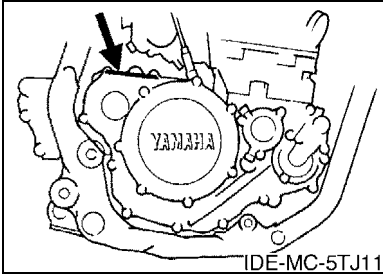
6. The asterisk (*) before a reference number indicates modified items after the first edition.

FOREWORD

7. Applicable Serial No.

Engine Serial No.

Frame Serial No.



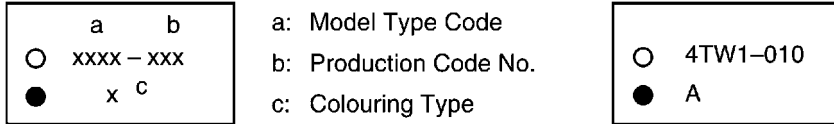
8. Applicable Colour Code (The (*) mark shows Model colour.)

| Abbreviation | Colour Name | Colour Code |
|--------------|----------------------------|-------------|
| DPBSE(*) | DEEP PURPLISH BLUE SOLID E | 0583 |
| | | |
| | | |
| | | |
| | | |
| | | |
| | | |
| | | |
| | | |

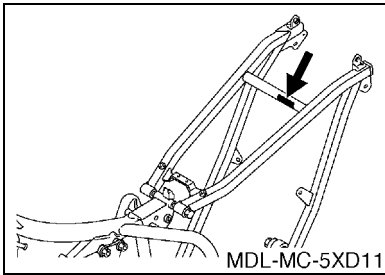
MODEL LABEL

(1) A label called "Model Label" is affixed in the location as indicated in (3) below. When using this parts catalogue, please be sure to cross-reference the "model code – production code No." in the catalogue with the "model code – production code No." indicated on the Model Label affixed onto the product concerned.

(2) "Model Label" Indication



(3) Model Label Affixing Location



(4) Colouring Information

| Model Code | Colouring Type Code | Colour Code | Colour Name | Abbreviation |
|------------|---------------------|-------------|----------------------------|--------------|
| 5UM5 | A | 0583 | DEEP PURPLISH BLUE SOLID E | DPBSE |
| 5UM6 | A | 0583 | DEEP PURPLISH BLUE SOLID E | DPBSE |
| 5UM7 | A | 0583 | DEEP PURPLISH BLUE SOLID E | DPBSE |
| | | | | |
| | | | | |
| | | | | |
| | | | | |
| | | | | |
| | | | | |
| | | | | |
| | | | | |

(5) Model Code – Production Code Number of Model Listed in This Parts Catalogue

| Model Code | Production Code No. | Country (destination) | Model Code | Production Code No. | Country (destination) | |
|------------|---------------------|-----------------------|----------------|---------------------|-----------------------|--|
| 5UM5 | 010 | U49 | | | | |
| | 010 | FRANCE | | | | |
| | 020 | BELGIUM | | | | |
| | 030 | GERMANY | | | | |
| | 040 | SPAIN | | | | |
| | 5UM6 | 050 | FINLAND | | | |
| | | | IRELAND | | | |
| | | 060 | UNITED KINGDOM | | | |
| | | 070 | GREECE | | | |
| | | 080 | ITALY | | | |
| 090 | | PORTUGAL | | | | |
| 100 | | SWEDEN | | | | |
| 5UM7 | | 010 | AUSTRALIA | | | |
| | NEW ZEALAND | | | | | |
| | 020 | CANADA | | | | |
| | 030 | SOUTH AFRICA | | | | |
| | | | | | | |
| | | | | | | |
| | | | | | | |
| | | | | | | |
| | | | | | | |
| | | | | | | |
| | | | | | | |
| | | | | | | |
| | | | | | | |
| | | | | | | |
| | | | | | | |

CONTENTS

ENGINE

| | |
|---------------------------|-----|
| CYLINDER | B2 |
| CRANKSHAFT & PISTON | B4 |
| VALVE | B5 |
| CAMSHAFT & CHAIN | B7 |
| WATER PUMP | B8 |
| RADIATOR & HOSE | B9 |
| OIL PUMP | B10 |
| OIL CLEANER | B11 |
| INTAKE | B12 |
| CARBURETOR | B14 |
| EXHAUST | C5 |
| CRANKCASE | C6 |
| CRANKCASE COVER 1 | C7 |
| STARTER | C9 |
| STARTER CLUTCH | C10 |
| CLUTCH | C11 |
| TRANSMISSION | C13 |
| SHIFT CAM & FORK | C15 |
| SHIFT SHAFT | D2 |

CHASSIS

| | |
|-------------------------------|-----|
| FRAME | D3 |
| FENDER | D5 |
| SIDE COVER | D6 |
| REAR ARM | D7 |
| REAR SUSPENSION | D9 |
| STEERING | D11 |
| FRONT FORK | D12 |
| FUEL TANK | D15 |
| SEAT | E3 |
| FRONT WHEEL | E4 |
| FRONT BRAKE CALIPER | E5 |
| REAR WHEEL | E6 |
| REAR BRAKE CALIPER | E8 |
| STEERING HANDLE & CABLE | E9 |
| FRONT MASTER CYLINDER | E10 |
| STAND & FOOTREST | E11 |
| REAR MASTER CYLINDER | E13 |
| GENERATOR | E14 |
| STARTING MOTOR | E15 |
| METER | F2 |

| | |
|-----------------------------------|-----|
| HEADLIGHT | F3 |
| TAILLIGHT | F4 |
| HANDLE SWITCH & LEVER | F5 |
| ELECTRICAL 1 | F6 |
| ALTERNATE FOR CHASSIS | F8 |
| ALTERNATE DECOMPRESSION KIT | F10 |

INDEX

| | |
|-----------------------|----|
| NUMERICAL INDEX | M1 |
|-----------------------|----|

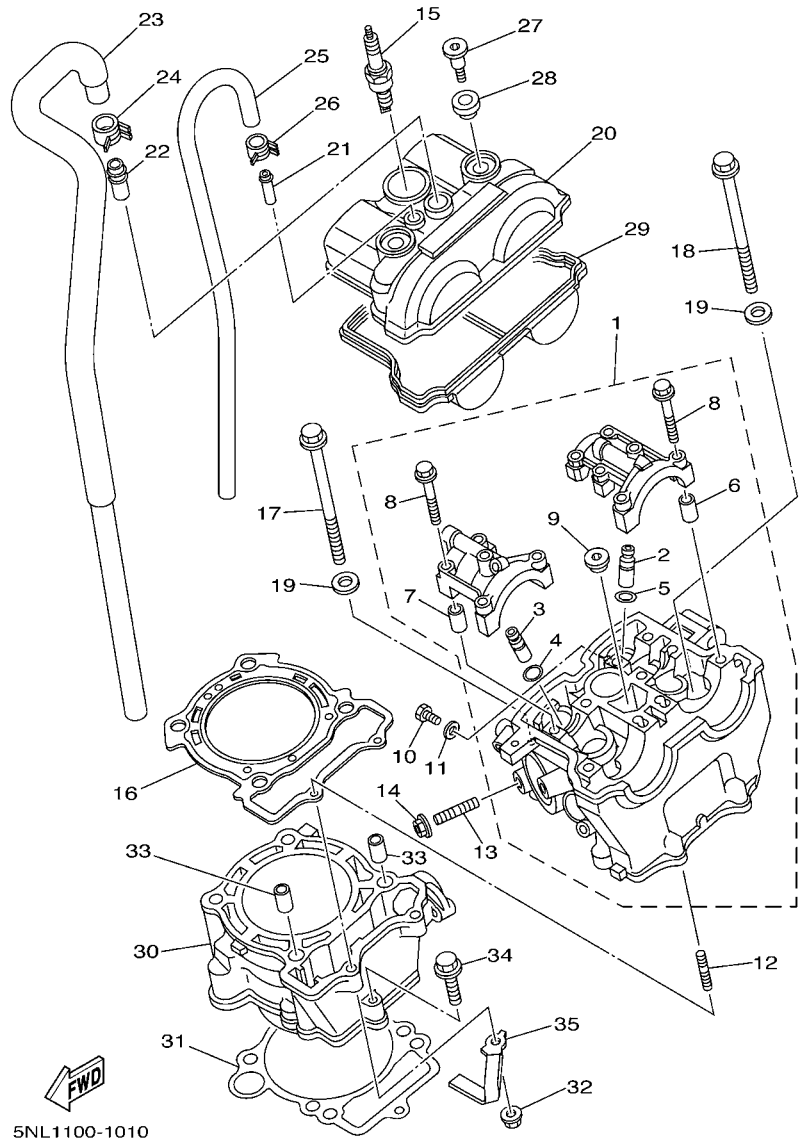


FIG. 1 CYLINDER

| REF. NO. | PART NO. | DESCRIPTION | SUM5 | SUM6 | SUM7 | REMARKS |
|----------|--------------|--------------------------|------|------|------|---------|
| 1 | 5NL-11102-20 | CYLINDER HEAD ASSY | 1 | 1 | 1 | |
| 2 | 5NL-11133-10 | .GUIDE, VALVE 1 | 3 | 3 | 3 | |
| 3 | 5NL-11134-10 | .GUIDE, VALVE 2 | 2 | 2 | 2 | |
| 4 | 93440-10153 | .CIRCLIP | 2 | 2 | 2 | |
| 5 | 93440-07149 | .CIRCLIP | 3 | 3 | 3 | |
| 6 | 91808-16023 | .PIN, DOWEL | 2 | 2 | 2 | |
| 7 | 91808-16023 | .PIN, DOWEL | 2 | 2 | 2 | |
| 8 | 90105-06027 | .BOLT, FLANGE | 10 | 10 | 10 | |
| 9 | 90340-12112 | .PLUG, STRAIGHT SCREW | 1 | 1 | 1 | |
| 10 | 95027-06010 | BOLT, FLANGE | 1 | 1 | 1 | |
| 11 | 90430-06014 | GASKET | 1 | 1 | 1 | |
| 12 | 90116-06541 | BOLT, STUD | 2 | 2 | 2 | |
| 13 | 95617-08620 | BOLT, STUD | 1 | 1 | 1 | |
| 14 | 95707-08500 | NUT, FLANGE | 1 | 1 | 1 | |
| 15 | 94701-00411 | PLUG, SPARK (NGK R CR8E) | 1 | 1 | 1 | STD |
| | 94701-00410 | PLUG, SPARK (NGK R CR9E) | 1 | 1 | 1 | AP |
| 16 | 5NL-11181-00 | GASKET, CYLINDER HEAD 1 | 1 | 1 | 1 | |
| 17 | 90105-09555 | BOLT, FLANGE | 2 | 2 | 2 | |
| 18 | 90105-09002 | BOLT, FLANGE | 2 | 2 | 2 | |
| 19 | 90201-096J9 | WASHER, PLATE | 4 | 4 | 4 | |
| 20 | 5NL-11191-00 | COVER, CYLINDER HEAD 1 | 1 | 1 | 1 | |
| 21 | 5BE-11167-00 | PIPE, BREATHER 2 | 1 | 1 | 1 | |
| 22 | 371-11167-01 | PIPE, BREATHER 2 | 1 | 1 | 1 | |
| 23 | 5TA-11166-00 | PIPE, BREATHER 1 | 1 | 1 | 1 | |
| 24 | 90467-14015 | CLIP | 1 | 1 | 1 | |
| 25 | 90445-112K0 | HOSE (L285) | 1 | 1 | 1 | |
| 26 | 90467-11106 | CLIP | 2 | 2 | 2 | |

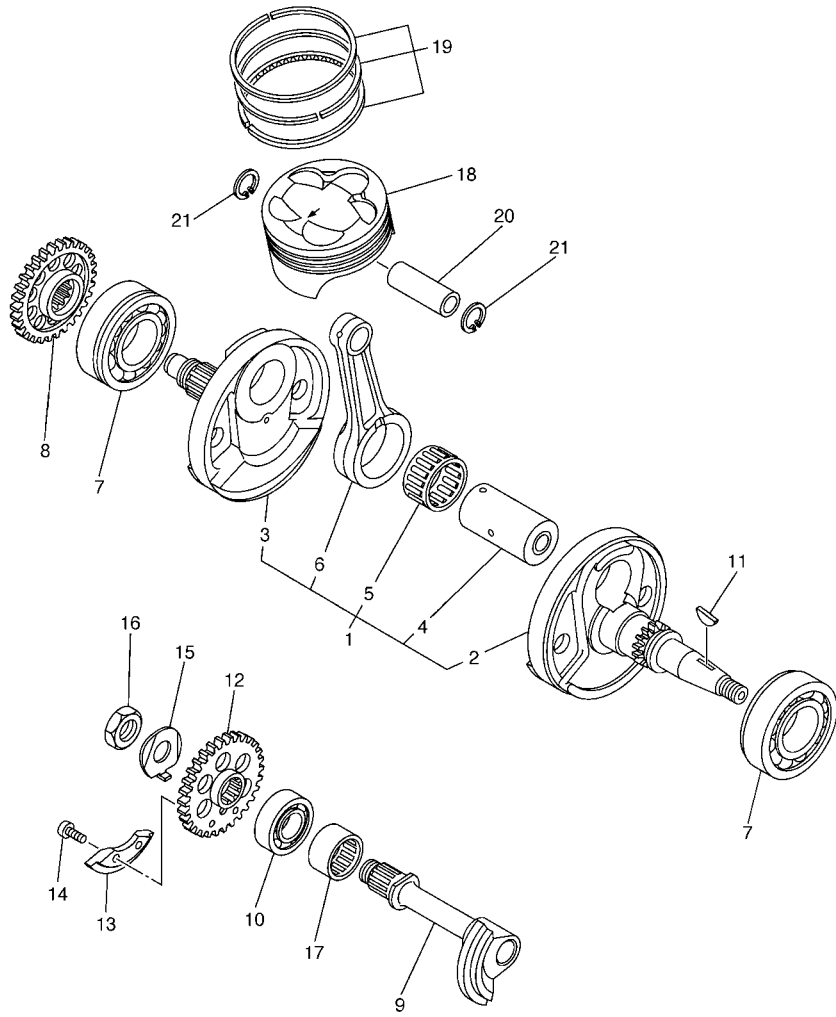


FIG. 2 CRANKSHAFT & PISTON

| REF. NO. | PART NO. | DESCRIPTION | 5UM5 | 5UM6 | 5UM7 | REMARKS |
|----------|--------------|-----------------------|------|------|------|---------|
| 1 | 5UM-11400-10 | CRANKSHAFT ASSY | 1 | 1 | 1 | |
| 2 | 5UM-11412-10 | .CRANK 1 | 1 | 1 | 1 | |
| 3 | 5UL-11422-00 | .CRANK 2 | 1 | 1 | 1 | |
| 4 | 5XC-11681-00 | .PIN, CRANK 1 | 1 | 1 | 1 | |
| 5 | 93310-63238 | .BEARING | 1 | 1 | 1 | |
| 6 | 5UL-11651-00 | .ROD, CONNECTING | 1 | 1 | 1 | |
| 7 | 93306-20648 | BEARING | 2 | 2 | 2 | |
| 8 | 5NL-11536-00 | GEAR, DRIVE | 1 | 1 | 1 | |
| 9 | 5NL-11455-00 | SHAFT 1 | 1 | 1 | 1 | |
| 10 | 93306-20335 | BEARING | 1 | 1 | 1 | |
| 11 | 90280-03006 | KEY, WOODRUFF | 1 | 1 | 1 | |
| 12 | 5NL-11531-00 | GEAR, BALANCE WEIGHT | 1 | 1 | 1 | |
| 13 | 5NL-11454-00 | WEIGHT 1 | 1 | 1 | 1 | |
| 14 | 90149-06250 | SCREW | 2 | 2 | 2 | |
| 15 | 90215-14204 | WASHER, LOCK | 1 | 1 | 1 | |
| 16 | 90170-14171 | NUT | 1 | 1 | 1 | |
| 17 | 93311-32261 | BEARING | 1 | 1 | 1 | |
| 18 | 5NL-11631-10 | PISTON (STD) | 1 | 1 | 1 | |
| 19 | 5NL-11603-00 | PISTON RING SET (STD) | 1 | 1 | 1 | |
| 20 | 5NL-11633-00 | PIN, PISTON | 1 | 1 | 1 | |
| 21 | 93420-16086 | CIRCLIP | 2 | 2 | 2 | |



5UM5100-C020

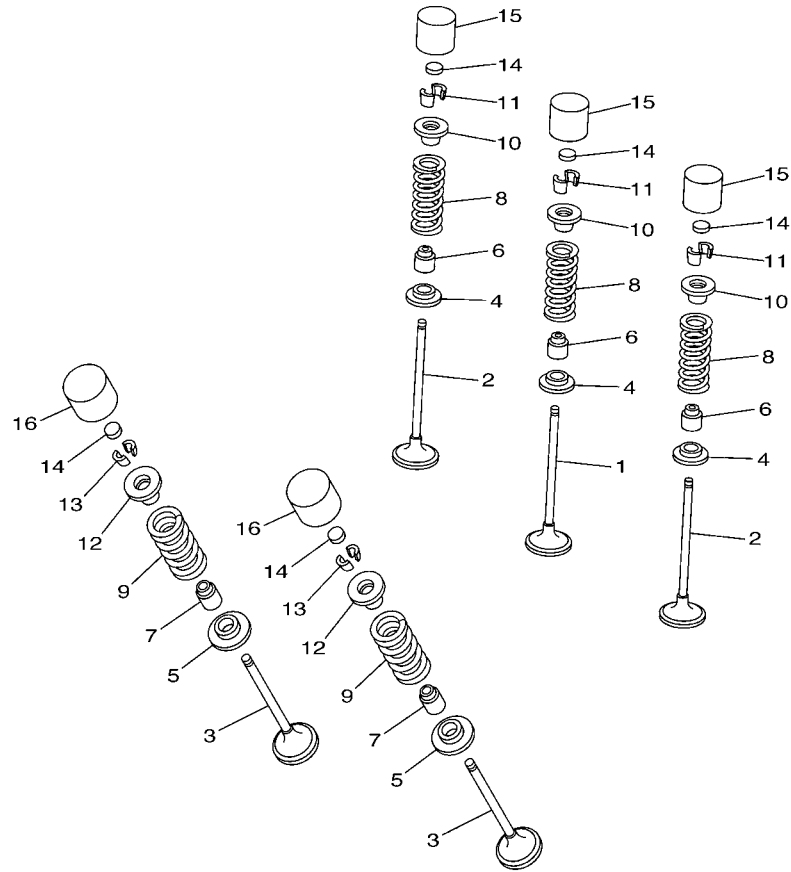
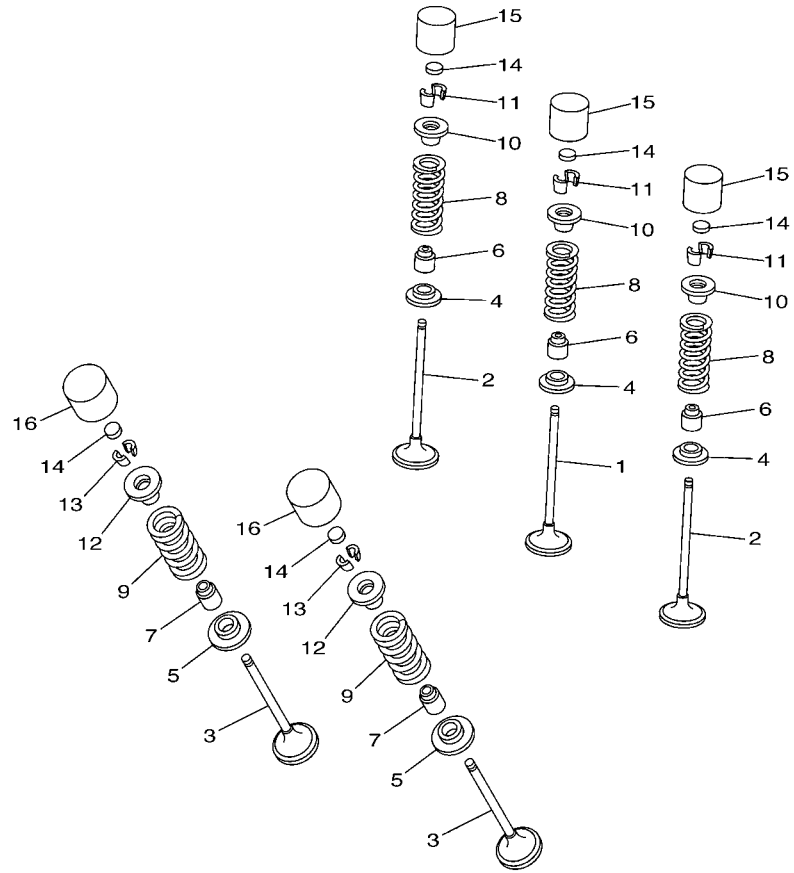


FIG. 3 VALVE

| REF. NO. | PART NO. | DESCRIPTION | SUM5 | SUM6 | SUM7 | REMARKS |
|----------|--------------|-------------------------|------|------|------|---------|
| 1 | 5NL-12111-10 | VALVE, INTAKE | 1 | 1 | 1 | |
| 2 | 5NL-12112-10 | VALVE, INTAKE 2 | 2 | 2 | 2 | |
| 3 | 5NL-12121-10 | VALVE, EXHAUST | 2 | 2 | 2 | |
| 4 | 5NL-12116-00 | SEAT, VALVE SPRING | 3 | 3 | 3 | |
| 5 | 3GM-12126-00 | SEAT, VALVE SPRING 2 | 2 | 2 | 2 | |
| 6 | 4TV-12119-00 | SEAL, VALVE STEM | 3 | 3 | 3 | |
| 7 | 4SV-12119-00 | SEAL, VALVE STEM | 2 | 2 | 2 | |
| 8 | 5NL-12113-00 | SPRING, VALVE INNER | 3 | 3 | 3 | |
| 9 | 5NL-12114-00 | SPRING, VALVE OUTER | 2 | 2 | 2 | |
| 10 | 1HX-12117-00 | RETAINER, VALVE SPRING | 3 | 3 | 3 | |
| 11 | 1HX-12118-00 | COTTER, VALVE | 6 | 6 | 6 | |
| 12 | 1WG-12117-00 | RETAINER, VALVE SPRING | 2 | 2 | 2 | |
| 13 | 1WG-12118-00 | COTTER, VALVE | 4 | 4 | 4 | |
| 14 | 1HX-12168-00 | PAD, ADJUSTING 2 (1.20) | 5 | 5 | 5 | UR |
| | 1HX-12168-20 | PAD, ADJUSTING 2 (1.25) | 5 | 5 | 5 | UR |
| | 1HX-12168-40 | PAD, ADJUSTING 2 (1.30) | 5 | 5 | 5 | UR |
| | 1HX-12168-60 | PAD, ADJUSTING 2 (1.35) | 5 | 5 | 5 | UR |
| | 1HX-12168-80 | PAD, ADJUSTING 2 (1.40) | 5 | 5 | 5 | UR |
| | 1HX-12168-A0 | PAD, ADJUSTING 2 (1.45) | 5 | 5 | 5 | UR |
| | 1HX-12168-F0 | PAD, ADJUSTING 2 (1.50) | 5 | 5 | 5 | UR |
| | 1HX-12168-H1 | PAD, ADJUSTING 2 (1.55) | 5 | 5 | 5 | UR |
| | 1HX-12168-K1 | PAD, ADJUSTING 2 (1.60) | 5 | 5 | 5 | UR |
| | 1HX-12168-M1 | PAD, ADJUSTING 2 (1.65) | 5 | 5 | 5 | UR |
| | 1HX-12168-R1 | PAD, ADJUSTING 2 (1.70) | 5 | 5 | 5 | UR |
| | 1HX-12168-U1 | PAD, ADJUSTING 2 (1.75) | 5 | 5 | 5 | UR |
| | 1HX-12168-W1 | PAD, ADJUSTING 2 (1.80) | 5 | 5 | 5 | UR |
| | 1HX-12168-Y1 | PAD, ADJUSTING 2 (1.85) | 5 | 5 | 5 | UR |



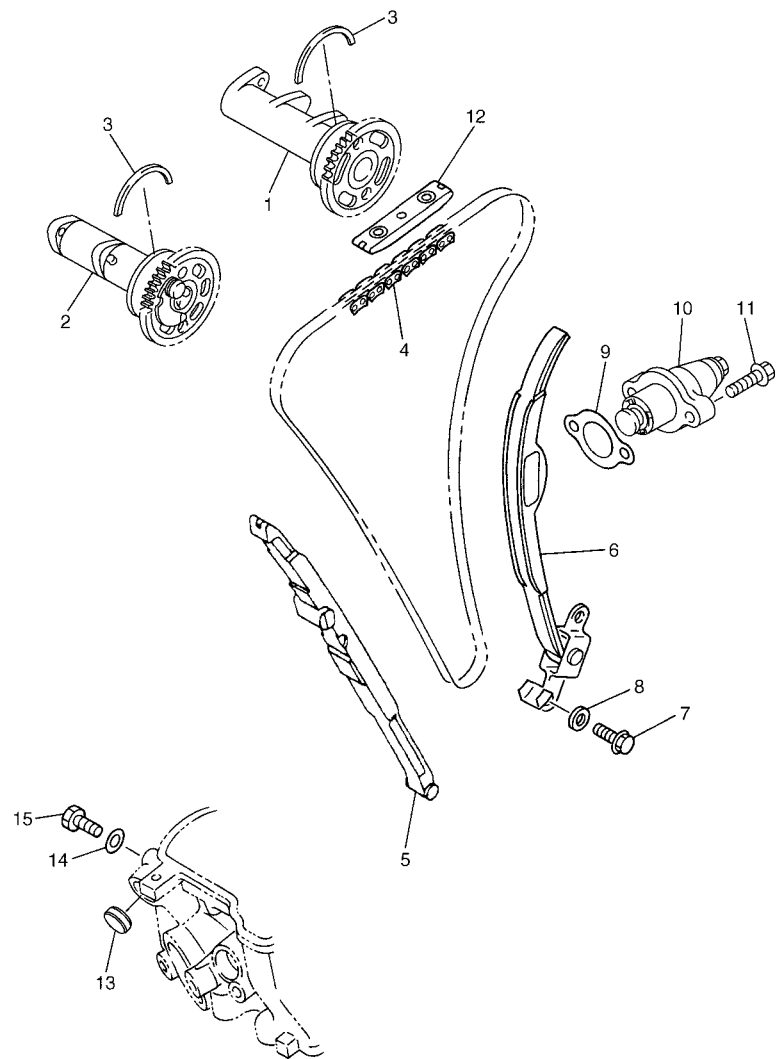
5NL1100-1030



5NL1100-1030

FIG. 3 VALVE

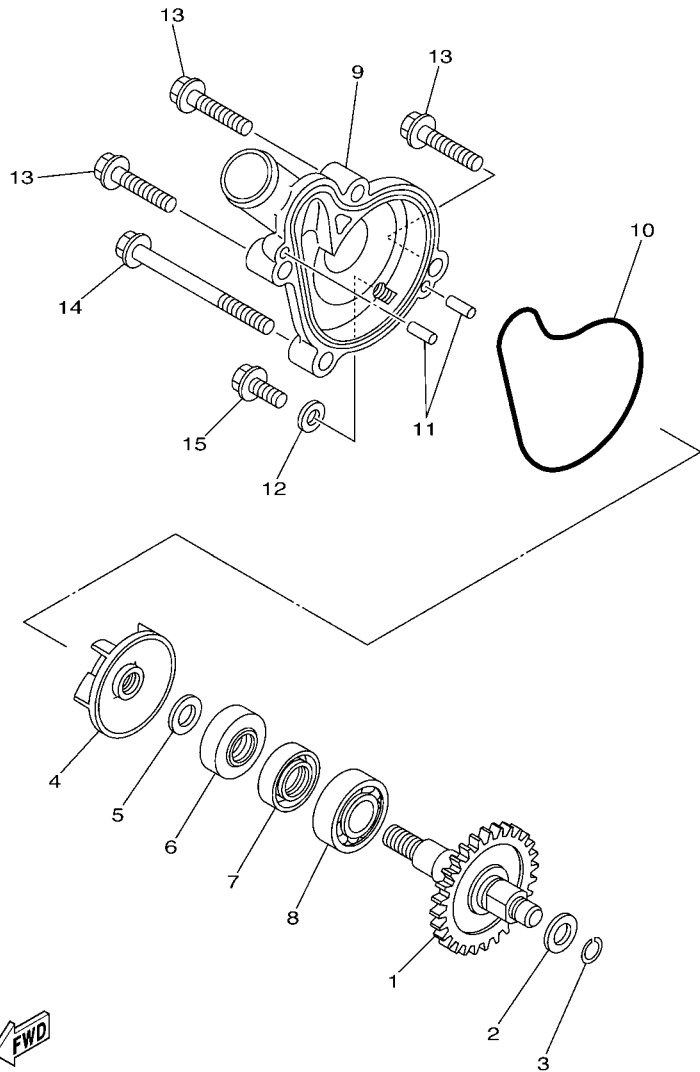
| REF. NO. | PART NO. | DESCRIPTION | SUM5 | SUM6 | SUM7 | REMARKS |
|----------|--------------|-------------------------|------|------|------|-----------|
| 14 | 1HX-12169-11 | PAD, ADJUSTING 2 (1.90) | 5 | 5 | 5 | UR |
| | 1HX-12169-31 | PAD, ADJUSTING 2 (1.95) | 5 | 5 | 5 | UR |
| | 1HX-12169-50 | PAD, ADJUSTING 2 (2.00) | 5 | 5 | 5 | UR |
| | 1HX-12169-70 | PAD, ADJUSTING 2 (2.05) | 5 | 5 | 5 | UR |
| | 1HX-12169-90 | PAD, ADJUSTING 2 (2.10) | 5 | 5 | 5 | UR |
| | 1HX-12169-E0 | PAD, ADJUSTING 2 (2.15) | 5 | 5 | 5 | UR |
| | 1HX-12169-G0 | PAD, ADJUSTING 2 (2.20) | 5 | 5 | 5 | UR |
| | 1HX-12169-J0 | PAD, ADJUSTING 2 (2.25) | 5 | 5 | 5 | UR |
| | 1HX-12169-L0 | PAD, ADJUSTING 2 (2.30) | 5 | 5 | 5 | UR |
| | 1HX-12169-N0 | PAD, ADJUSTING 2 (2.35) | 5 | 5 | 5 | UR |
| | 1HX-12169-T0 | PAD, ADJUSTING 2 (2.40) | 5 | 5 | 5 | UR |
| 15 | 3LN-12153-10 | LIFTER, VALVE | 3 | 3 | 3 | UR YELLOW |
| 16 | 3FV-12153-10 | LIFTER, VALVE | 2 | 2 | 2 | UR YELLOW |
| | | | | | | |
| | | | | | | |
| | | | | | | |
| | | | | | | |



FWD
5UL1100-B040

FIG. 4 CAMSHAFT & CHAIN

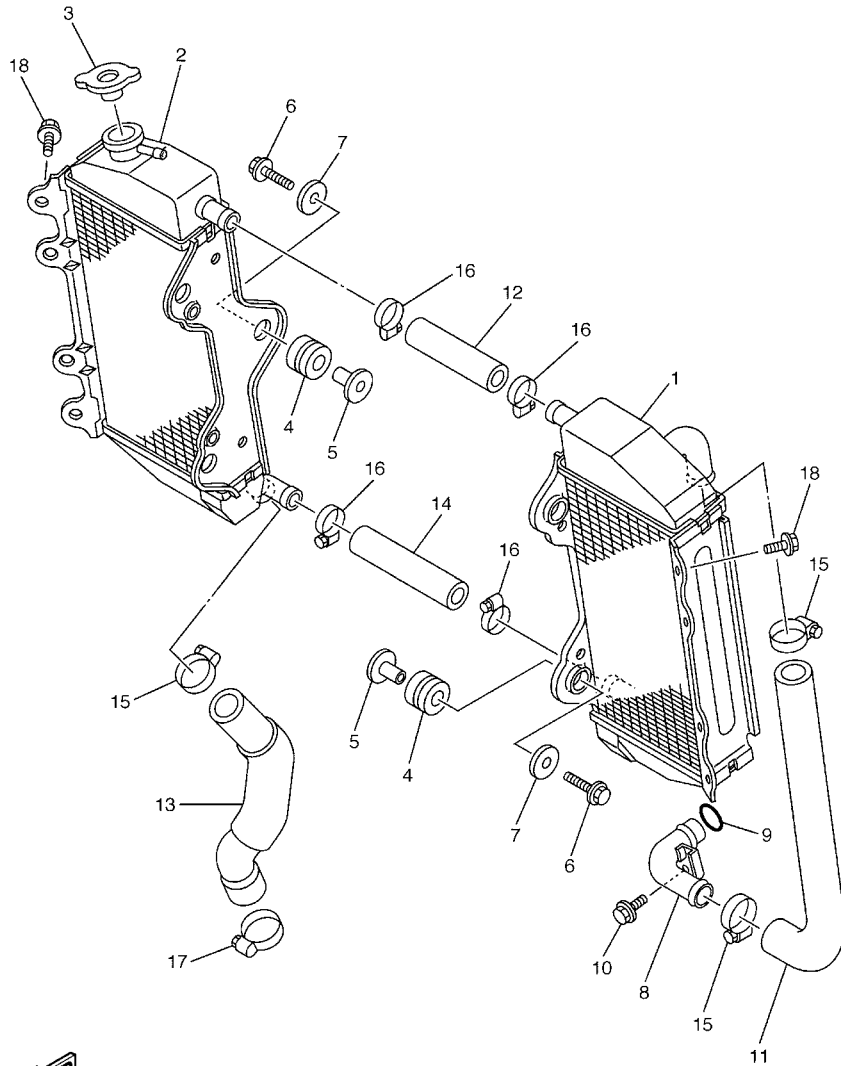
| REF. NO. | PART NO. | DESCRIPTION | SUM5 | SUM6 | SUM7 | REMARKS |
|----------|--------------|---------------------------|------|------|------|---------|
| 1 | 5UM-12170-00 | CAMSHAFT ASSY 1 | 1 | 1 | 1 | |
| 2 | 5UM-12180-00 | CAMSHAFT ASSY 2 | 1 | 1 | 1 | |
| 3 | 93440-41178 | CIRCLIP | 2 | 2 | 2 | |
| 4 | 94591-53114 | CHAIN | 1 | 1 | 1 | |
| 5 | 5NL-12251-00 | DAMPER, CHAIN 1 | 1 | 1 | 1 | |
| 6 | 5NL-12252-00 | DAMPER, CHAIN 2 | 1 | 1 | 1 | |
| 7 | 97027-06016 | BOLT | 2 | 2 | 2 | |
| 8 | 92907-06600 | WASHER, PLATE | 2 | 2 | 2 | |
| 9 | 4FM-12213-00 | GASKET, TENSIONER CASE | 1 | 1 | 1 | |
| 10 | 5TA-12210-00 | TENSIONER ASSY, CAM CHAIN | 1 | 1 | 1 | |
| 11 | 95027-06025 | BOLT, FLANGE | 2 | 2 | 2 | |
| 12 | 5BE-12241-00 | GUIDE, STOPPER 2 | 1 | 1 | 1 | |
| 13 | 90338-18064 | PLUG | 1 | 1 | 1 | |
| 14 | 90430-06014 | GASKET | 1 | 1 | 1 | |
| 15 | 90109-06418 | BOLT | 1 | 1 | 1 | |



FWD
5NL1100-1050

FIG. 5 WATER PUMP

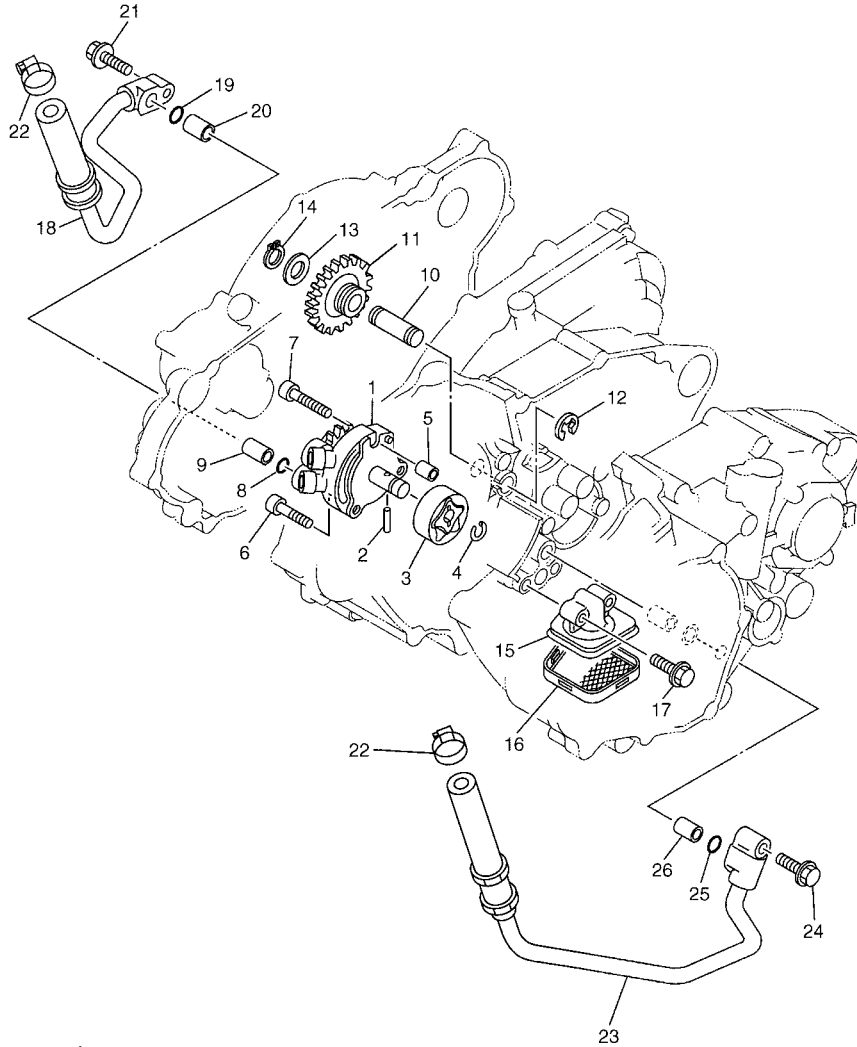
| REF. NO. | PART NO. | DESCRIPTION | SUM5 | SUM6 | SUM7 | REMARKS |
|----------|--------------|--------------------------|------|------|------|---------|
| 1 | 5XC-12459-00 | GEAR, IMPELLER SHAFT | 1 | 1 | 1 | |
| 2 | 90201-08512 | WASHER, PLATE | 1 | 1 | 1 | |
| 3 | 93440-07182 | CIRCLIP | 1 | 1 | 1 | |
| 4 | 5DH-12451-00 | IMPELLER, WATER PUMP | 1 | 1 | 1 | |
| 5 | 90201-08512 | WASHER, PLATE | 1 | 1 | 1 | |
| 6 | 93109-11073 | OIL SEAL | 1 | 1 | 1 | |
| 7 | 93102-12106 | OIL SEAL (SD 12-22-5 HS) | 1 | 1 | 1 | |
| 8 | 93306-00105 | BEARING (B6001) | 1 | 1 | 1 | |
| 9 | 5NL-12422-10 | COVER, HOUSING | 1 | 1 | 1 | |
| 10 | 5NL-12439-00 | O-RING | 1 | 1 | 1 | |
| 11 | 93604-10011 | PIN, DOWEL | 2 | 2 | 2 | |
| 12 | 90430-06014 | GASKET | 1 | 1 | 1 | |
| 13 | 95027-06025 | BOLT, FLANGE | 3 | 3 | 3 | |
| 14 | 95027-06065 | BOLT, FLANGE | 1 | 1 | 1 | |
| 15 | 95027-06012 | BOLT, FLANGE | 1 | 1 | 1 | |



5UM1100-B060

FIG. 6 RADIATOR & HOSE

| REF. NO. | PART NO. | DESCRIPTION | 5UM5 | 5UM6 | 5UM7 | REMARKS |
|----------|--------------|-----------------|------|------|------|---------|
| 1 | 5PH-1240A-00 | RADIATOR ASSY | 1 | 1 | 1 | |
| 2 | 5PH-12461-00 | RADIATOR ASSY | 1 | 1 | 1 | |
| 3 | 5HD-12462-00 | CAP, RADIATOR | 1 | 1 | 1 | |
| 4 | 90480-15528 | GROMMET | 6 | 6 | 6 | |
| 5 | 90387-06065 | COLLAR | 6 | 6 | 6 | |
| 6 | 95027-06025 | BOLT, FLANGE | 6 | 6 | 6 | |
| 7 | 90201-06571 | WASHER, PLATE | 6 | 6 | 6 | |
| 8 | 5NL-12481-00 | PIPE 1 | 1 | 1 | 1 | |
| 9 | 93210-15414 | O-RING | 1 | 1 | 1 | |
| 10 | 91317-06012 | BOLT | 1 | 1 | 1 | |
| 11 | 5SG-12576-00 | HOSE 1 | 1 | 1 | 1 | |
| 12 | 5SG-12577-00 | HOSE 2 | 1 | 1 | 1 | |
| 13 | 5SG-12578-00 | HOSE 3 | 1 | 1 | 1 | |
| 14 | 5SG-12579-00 | HOSE 4 | 1 | 1 | 1 | |
| 15 | 90450-25037 | HOSE CLAMP ASSY | 3 | 3 | 3 | |
| 16 | 90450-22017 | HOSE CLAMP ASSY | 4 | 4 | 4 | |
| 17 | 90450-32015 | HOSE CLAMP ASSY | 1 | 1 | 1 | |
| 18 | 95827-06010 | BOLT, FLANGE | 2 | 2 | 2 | |
| | | | | | | |
| | | | | | | |
| | | | | | | |
| | | | | | | |

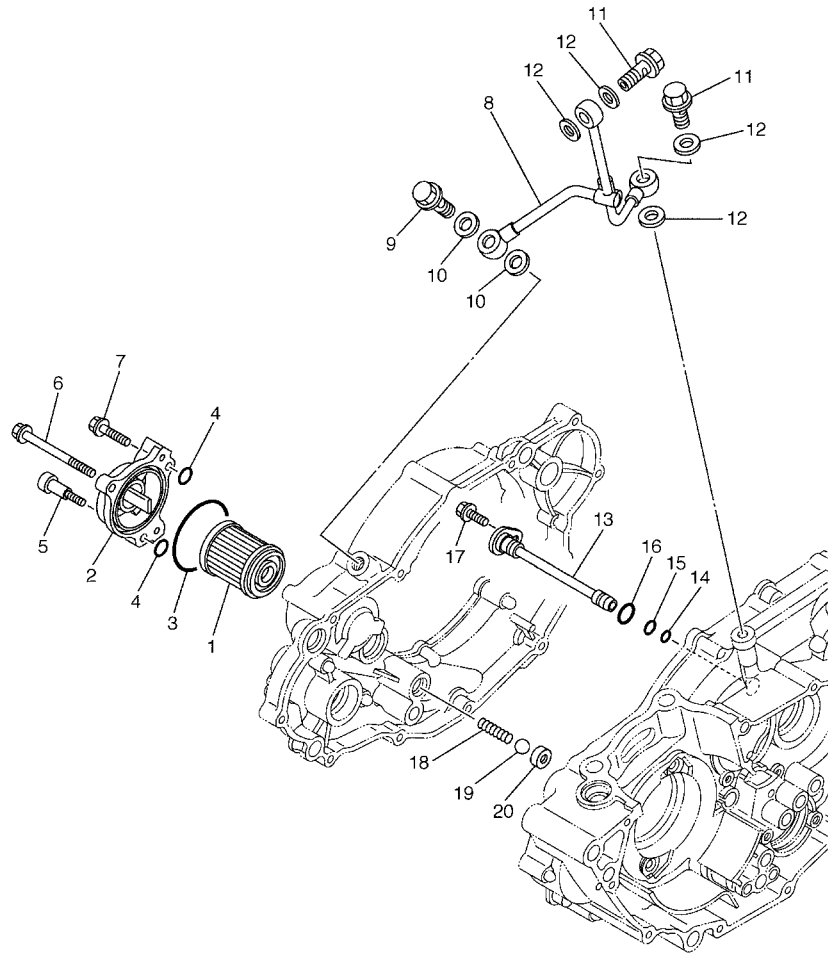


5UL1100-B070

FIG. 7 OIL PUMP

| REF. NO. | PART NO. | DESCRIPTION | SUM5 | SUM6 | SUM7 | REMARKS |
|----------|--------------|---------------------------|------|------|------|---------|
| 1 | 5SG-13300-00 | OIL PUMP ASSY | 1 | 1 | 1 | |
| 2 | 93603-16219 | PIN, DOWEL | 1 | 1 | 1 | |
| 3 | 5NL-13320-00 | ROTOR ASSY 2 | 1 | 1 | 1 | |
| 4 | 93440-10153 | CIRCLIP | 1 | 1 | 1 | |
| 5 | 99530-08012 | PIN, DOWEL | 1 | 1 | 1 | |
| 6 | 90110-06058 | BOLT, HEXAGON SOCKET HEAD | 2 | 2 | 2 | |
| 7 | 91314-06030 | BOLT | 1 | 1 | 1 | |
| 8 | 93210-10197 | O-RING | 1 | 1 | 1 | |
| 9 | 99530-10114 | PIN, DOWEL | 1 | 1 | 1 | |
| 10 | 5BE-13342-00 | SHAFT, IDLE GEAR | 1 | 1 | 1 | |
| 11 | 5NL-13341-00 | GEAR, OIL PUMP IDLE | 1 | 1 | 1 | |
| 12 | 99001-08600 | CIRCLIP | 1 | 1 | 1 | |
| 13 | 90201-12166 | WASHER, PLATE | 1 | 1 | 1 | |
| 14 | 99009-12400 | CIRCLIP | 1 | 1 | 1 | |
| 15 | 5NL-13412-00 | HOUSING, STRAINER | 1 | 1 | 1 | |
| 16 | 5NL-13411-00 | STRAINER, OIL | 1 | 1 | 1 | |
| 17 | 95027-06025 | BOLT, FLANGE | 2 | 2 | 2 | |
| 18 | 5XC-13464-00 | HOSE, OIL 1 | 1 | 1 | 1 | |
| 19 | 93210-10197 | O-RING | 1 | 1 | 1 | |
| 20 | 99530-10114 | PIN, DOWEL | 1 | 1 | 1 | |
| 21 | 95027-06025 | BOLT, FLANGE | 1 | 1 | 1 | |
| 22 | 90450-22017 | HOSE CLAMP ASSY | 2 | 2 | 2 | |
| 23 | 5XC-13465-00 | HOSE, OIL 2 | 1 | 1 | 1 | |
| 24 | 95027-06025 | BOLT, FLANGE | 1 | 1 | 1 | |
| 25 | 93210-10197 | O-RING | 1 | 1 | 1 | |
| 26 | 99530-10114 | PIN, DOWEL | 1 | 1 | 1 | |

FIG. 8 OIL CLEANER

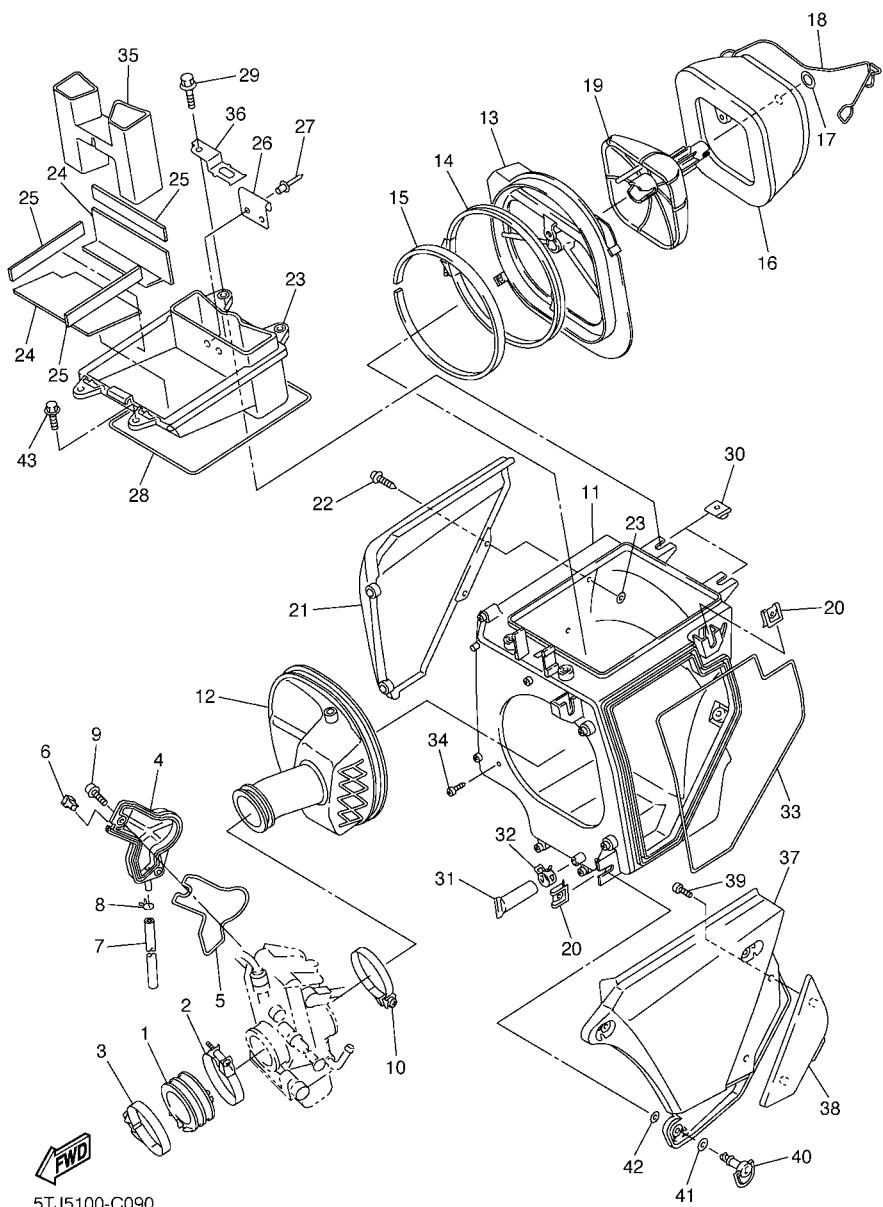


| REF. NO. | PART NO. | DESCRIPTION | SUM5 | SUM6 | SUM7 | REMARKS |
|----------|--------------|---------------------------|------|------|------|---------|
| 1 | 5TA-13440-00 | ELEMENT ASSY, OIL CLEANER | 1 | 1 | 1 | |
| 2 | 5BE-13447-10 | COVER, OIL ELEMENT | 1 | 1 | 1 | |
| 3 | 93210-47675 | O-RING | 1 | 1 | 1 | |
| 4 | 93210-07135 | O-RING | 3 | 3 | 3 | |
| 5 | 90109-065G2 | BOLT | 1 | 1 | 1 | |
| 6 | 95027-06065 | BOLT, FLANGE | 1 | 1 | 1 | |
| 7 | 95027-06025 | BOLT, FLANGE | 1 | 1 | 1 | |
| 8 | 5NL-13161-00 | PIPE, DELIVERY 1 | 1 | 1 | 1 | |
| 9 | 90401-10159 | BOLT, UNION | 1 | 1 | 1 | |
| 10 | 90430-10188 | GASKET | 2 | 2 | 2 | |
| 11 | 90401-08038 | BOLT, UNION | 2 | 2 | 2 | |
| 12 | 90430-08119 | GASKET | 4 | 4 | 4 | |
| 13 | 5NL-13171-00 | PIPE, DELIVERY 2 | 1 | 1 | 1 | |
| 14 | 93210-07003 | O-RING | 1 | 1 | 1 | |
| 15 | 93210-09008 | O-RING | 1 | 1 | 1 | |
| 16 | 93210-12759 | O-RING | 1 | 1 | 1 | |
| 17 | 95027-06012 | BOLT, FLANGE | 1 | 1 | 1 | |
| 18 | 90501-043E0 | SPRING, COMPRESSION | 1 | 1 | 1 | |
| 19 | 93503-08007 | BALL | 1 | 1 | 1 | |
| 20 | 583-13113-00 | SEAT, CHECK BALL | 1 | 1 | 1 | |


5XC1100-C080

FIG. 9 INTAKE

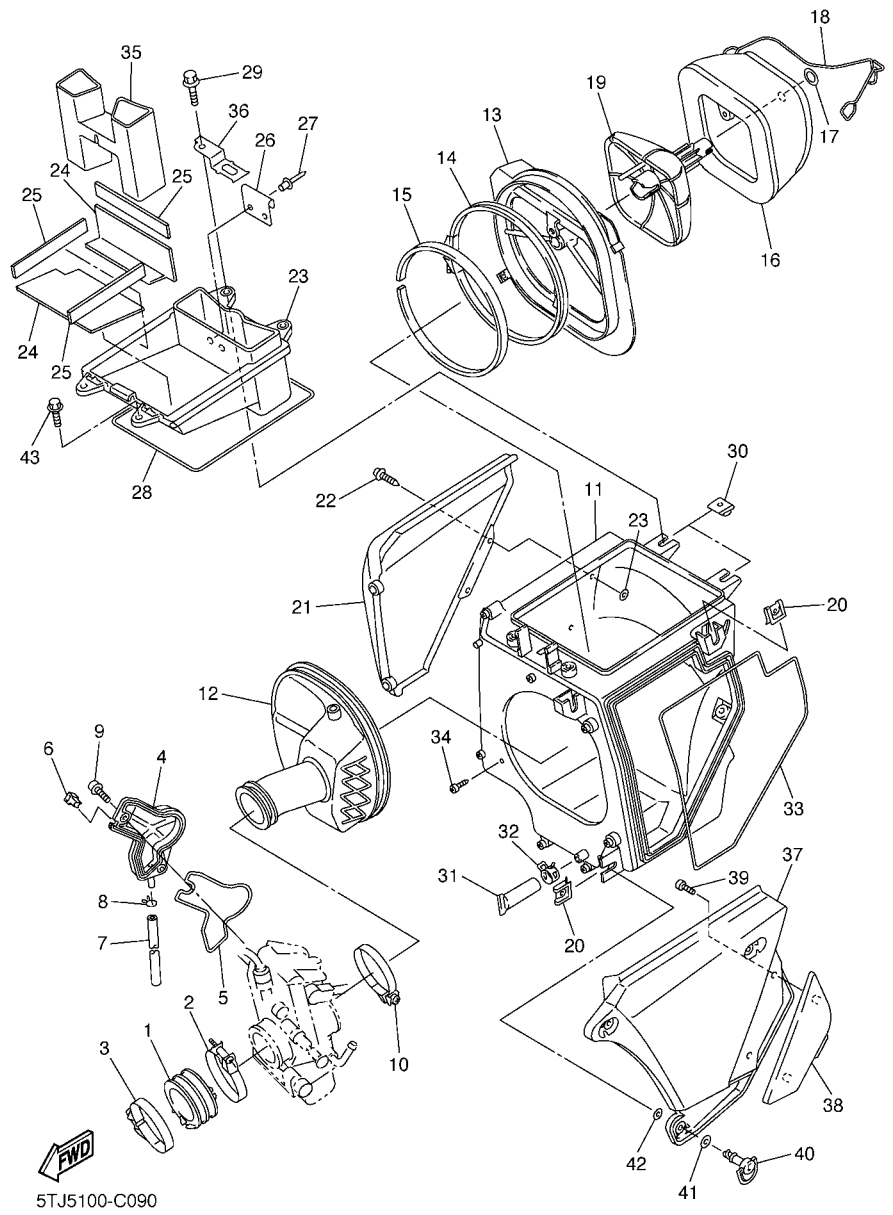
| REF. NO. | PART NO. | DESCRIPTION | SUM5 | SUM6 | SUM7 | REMARKS |
|----------|--------------|-----------------------|------|------|------|---------|
| 1 | 5UL-13597-00 | JOINT, CARBURETOR 3 | 1 | 1 | 1 | |
| 2 | 90450-57092 | HOSE CLAMP ASSY | 1 | 1 | 1 | |
| 3 | 90450-54002 | HOSE CLAMP ASSY | 1 | 1 | 1 | |
| 4 | 5TA-14293-00 | COVER 1 | 1 | 1 | 1 | |
| 5 | 5TA-14227-00 | GASKET | 1 | 1 | 1 | |
| 6 | 5TA-14239-00 | SEAL | 1 | 1 | 1 | |
| 7 | 5TA-14987-00 | HOSE | 1 | 1 | 1 | |
| 8 | 3TJ-14137-40 | CLIP | 1 | 1 | 1 | |
| 9 | 5TA-14428-00 | BOLT | 2 | 2 | 2 | |
| 10 | 90450-61001 | HOSE CLAMP ASSY | 1 | 1 | 1 | |
| 11 | 5TJ-14401-10 | AIR CLEANER CASE ASSY | 1 | 1 | 1 | |
| 12 | 5TA-14453-00 | JOINT, AIR CLEANER 1 | 1 | 1 | 1 | |
| 13 | 5TJ-14459-00 | HOLDER, GUIDE | 1 | 1 | 1 | |
| 14 | 5NY-14455-10 | BAND | 1 | 1 | 1 | |
| 15 | 5NY-14442-00 | SPACER | 1 | 1 | 1 | |
| 16 | 5TJ-14451-00 | ELEMENT, AIR CLEANER | 1 | 1 | 1 | |
| 17 | 5TJ-14475-00 | WASHER | 1 | 1 | 1 | |
| 18 | 5TJ-1441G-00 | BINDER 1 | 1 | 1 | 1 | |
| 19 | 5TJ-14458-00 | GUIDE | 1 | 1 | 1 | |
| 20 | 4XV-2177L-00 | PLATE, SPRING | 3 | 3 | 3 | |
| 21 | 5TJ-1441E-10 | COVER, CLEANER CASE 2 | 1 | 1 | 1 | |
| 22 | 97707-40016 | SCREW, TAPPING | 2 | 2 | 2 | |
| 23 | 5TJ-14437-10 | DUCT | 1 | 1 | 1 | |
| 24 | 5TJ-14425-10 | DAMPER 1 | 2 | 2 | 2 | |
| 25 | 5TJ-14426-00 | DAMPER 2 | 3 | 3 | 3 | |
| 26 | 5TJ-14436-00 | HOOK | 1 | 1 | 1 | |
| 27 | 90267-32146 | RIVET, BLIND | 2 | 2 | 2 | |

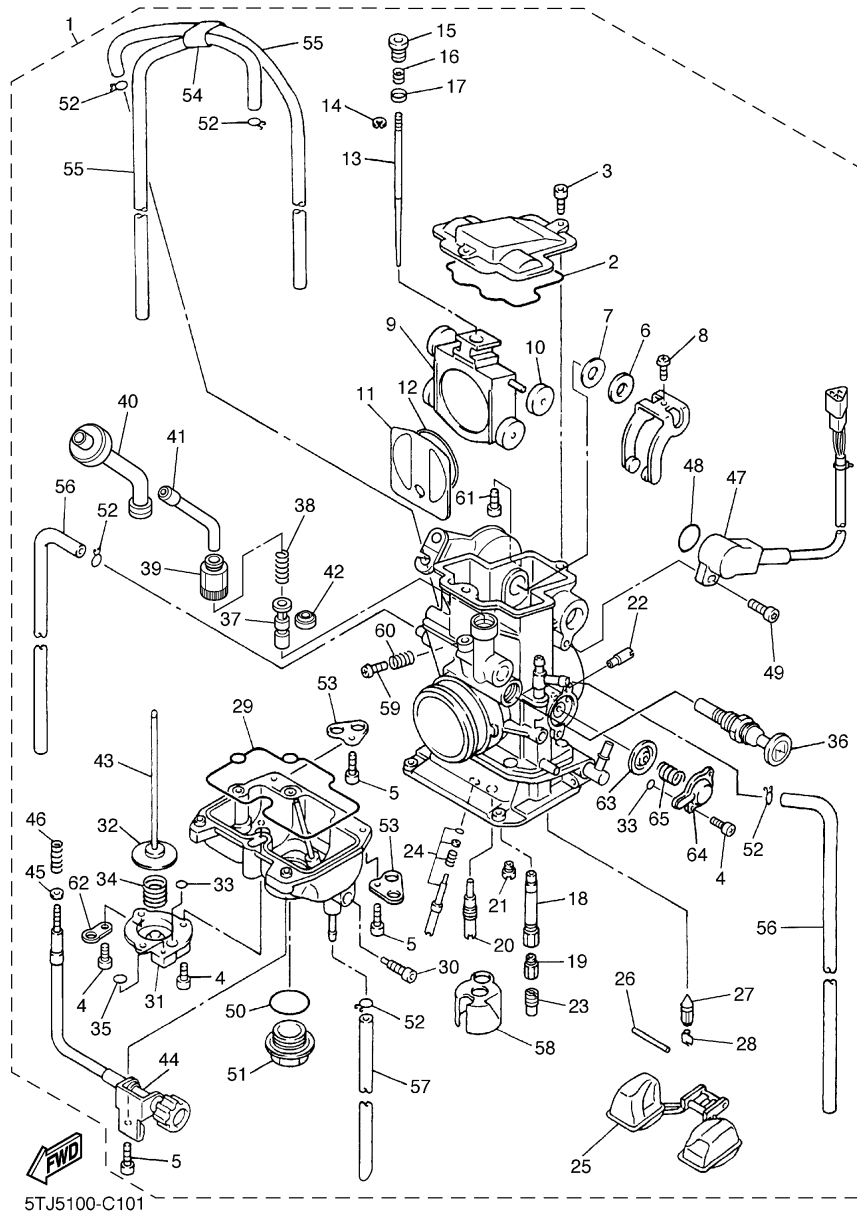


5TJ5100-C090

FIG. 9 INTAKE

| REF. NO. | PART NO. | DESCRIPTION | SUM5 | SUM6 | SUM7 | REMARKS |
|----------|--------------|-----------------------|------|------|------|---------|
| 28 | 5TJ-14457-00 | SEAL | 1 | 1 | 1 | |
| 29 | 95027-06020 | BOLT, FLANGE | 2 | 2 | 2 | |
| 30 | 90183-06023 | NUT, SPRING | 2 | 2 | 2 | |
| 31 | 5BF-1443E-00 | PIPE, DRAIN | 1 | 1 | 1 | |
| 32 | 90467-17089 | CLIP | 1 | 1 | 1 | |
| 33 | 5TJ-14462-00 | SEAL | 1 | 1 | 1 | |
| 34 | 97707-50516 | SCREW, TAPPING | 1 | 1 | 1 | |
| 35 | 5TJ-1443A-00 | DUCT | 1 | | | |
| 36 | 5TJ-81953-00 | STAY, RELAY | 1 | 1 | 1 | |
| 37 | 5TJ-1441A-00 | COVER, CLEANER CASE 1 | 1 | 1 | 1 | |
| 38 | 5TJ-1442A-00 | COVER, CLEANER CASE 3 | 1 | 1 | 1 | |
| 39 | 97707-30512 | SCREW, TAPPING | 2 | 2 | 2 | |
| 40 | 3FV-28386-00 | HEAD | 3 | 3 | 3 | |
| 41 | 2TK-21757-00 | WASHER, SPECIAL 1 | 3 | 3 | 3 | |
| 42 | 5TJ-21757-00 | WASHER, SPECIAL 1 | 3 | 3 | 3 | |
| 43 | 95827-06016 | BOLT, FLANGE | 2 | 2 | 2 | |
| | | | | | | |
| | | | | | | |
| | | | | | | |
| | | | | | | |

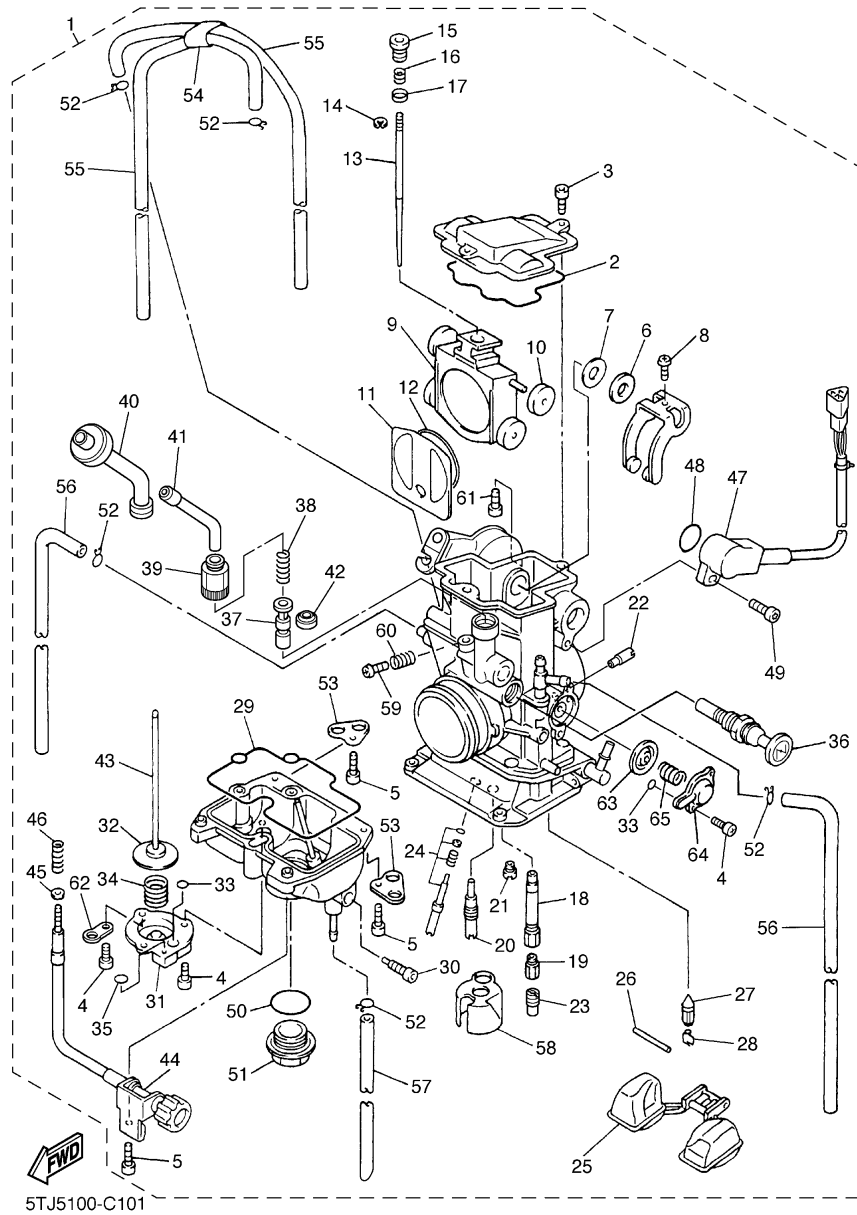




5TJ5100-C101

FIG. 10 CARBURETOR

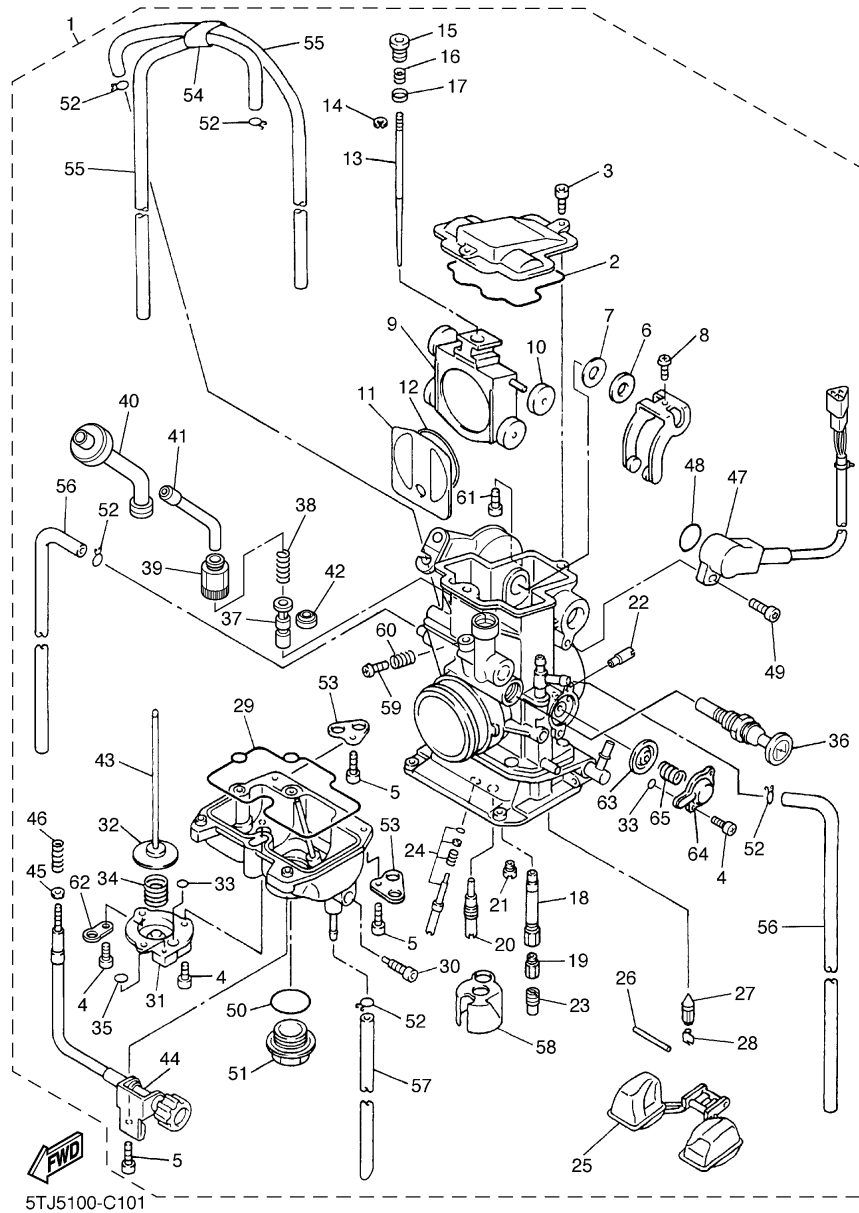
| REF. NO. | PART NO. | DESCRIPTION | SUM5 | SUM6 | SUM7 | REMARKS |
|----------|--------------|------------------------|------|------|------|---------|
| 1 | 5UM-14101-50 | CARBURETOR ASSY 1 | 1 | | | |
| | 5UM-14101-60 | CARBURETOR ASSY 1 | | 1 | 1 | |
| 2 | 5JG-14959-00 | .GASKET | 1 | 1 | 1 | |
| 3 | 91316-04012 | .BOLT | 2 | 2 | 2 | |
| 4 | 688-14592-00 | .SCREW | 5 | 5 | 5 | |
| 5 | 98502-04012 | .SCREW, PAN HEAD | 4 | 4 | 4 | |
| 6 | 90202-08045 | .WASHER, PLATE | 1 | 1 | 1 | |
| 7 | 5JG-14951-00 | .WASHER | 1 | 1 | 1 | |
| 8 | 5JG-14522-00 | .SCREW, ADJUST | 1 | 1 | 1 | |
| 9 | 5JG-14388-00 | .VALVE, VACUUM CONTROL | 1 | 1 | 1 | |
| 10 | 3TJ-14267-40 | .ROLLER | 1 | 1 | 1 | |
| 11 | 5JG-14546-01 | .VALVE, NEEDLE | 1 | 1 | 1 | |
| 12 | 4FN-14997-00 | .SEAL | 1 | 1 | 1 | |
| 13 | 5TJ-14916-DS | .NEEDLE (#OBDUS) | 1 | | | STD |
| | 5JG-14916-E1 | .NEEDLE (#OBEKQ) | | 1 | 1 | STD |
| | 5TJ-14916-DP | .NEEDLE (#OBDUP) | 1 | | | AP |
| | 5TJ-14916-D1 | .NEEDLE (#OBDUQ) | 1 | | | AP |
| | 5TJ-14916-DR | .NEEDLE (#OBDUR) | 1 | | | AP |
| | 5TJ-14916-DT | .NEEDLE (#OBDUT) | 1 | | | AP |
| | 5TJ-14916-DU | .NEEDLE (#OBDUU) | 1 | | | AP |
| | 5TJ-14916-DV | .NEEDLE (#OBDUV) | 1 | | | AP |
| | 5JG-14916-JR | .NEEDLE (#OBEJR) | | 1 | | AP |
| | 5JG-14916-EM | .NEEDLE (#OBEKM) | | 1 | 1 | AP |
| | 5JG-14916-EN | .NEEDLE (#OBEKN) | | 1 | 1 | AP |
| | 5JG-14916-EP | .NEEDLE (#OBEKP) | | 1 | 1 | AP |
| | 5JG-14916-ER | .NEEDLE (#OBEKR) | | 1 | 1 | AP |
| | 5JG-14916-ES | .NEEDLE (#OBEKS) | | 1 | 1 | AP |



5TJ5100-C101

FIG. 10 CARBURETOR

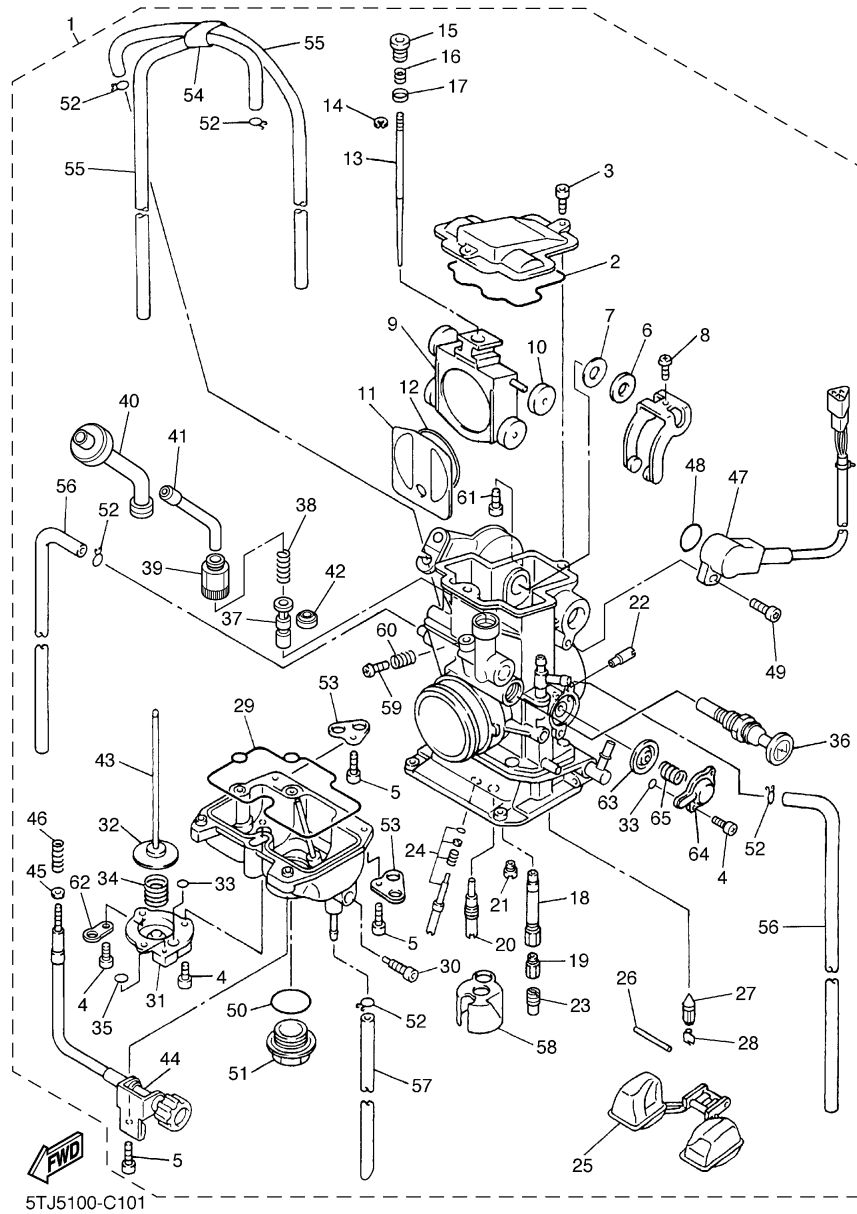
| REF. NO. | PART NO. | DESCRIPTION | SUM5 | SUM6 | SUM7 | REMARKS |
|----------|--------------|-------------------|------|------|------|---------|
| 13 | 5JG-14916-ET | .NEEDLE (#OBEKT) | | 1 | 1 | AP |
| 14 | 3TJ-14159-40 | .CLIP | 1 | 1 | 1 | |
| 15 | 5JG-14521-00 | .SCREW, ADJUST | 1 | 1 | 1 | |
| 16 | 5JG-14275-00 | .SPRING | 1 | 1 | 1 | |
| 17 | 5JG-14264-00 | .COLLAR | 1 | 1 | 1 | |
| 18 | 5JG-14947-00 | .NOZZLE, MAIN | 1 | 1 | 1 | |
| 19 | 4MX-14943-42 | .JET, MAIN (#175) | 1 | | | STD |
| | 4MX-14943-41 | .JET, MAIN (#170) | | 1 | 1 | STD |
| | 4MX-14943-89 | .JET, MAIN (#158) | | 1 | 1 | AP |
| | 4MX-14943-39 | .JET, MAIN (#160) | | 1 | 1 | AP |
| | 4MX-14943-90 | .JET, MAIN (#162) | 1 | 1 | 1 | AP |
| | 4MX-14943-40 | .JET, MAIN (#165) | 1 | 1 | 1 | AP |
| | 4MX-14943-91 | .JET, MAIN (#168) | 1 | 1 | 1 | AP |
| | 4MX-14943-41 | .JET, MAIN (#170) | 1 | | | AP |
| | 4MX-14943-92 | .JET, MAIN (#172) | 1 | 1 | 1 | AP |
| | 4MX-14943-42 | .JET, MAIN (#175) | | 1 | 1 | AP |
| | 4MX-14943-93 | .JET, MAIN (#178) | 1 | 1 | 1 | AP |
| | 4MX-14943-43 | .JET, MAIN (#180) | 1 | 1 | 1 | AP |
| | 4MX-14943-94 | .JET, MAIN (#182) | 1 | 1 | 1 | AP |
| | 4MX-14943-44 | .JET, MAIN (#185) | 1 | | | AP |
| | 4MX-14943-95 | .JET, MAIN (#188) | 1 | | | AP |
| 20 | 4MX-14948-03 | .JET, SLOW (#40) | 1 | 1 | 1 | STD |
| | 4MX-14948-01 | .JET, SLOW (#35) | 1 | 1 | 1 | AP |
| | 4MX-14948-02 | .JET, SLOW (#38) | 1 | 1 | 1 | AP |
| | 4MX-14948-04 | .JET, SLOW (#42) | 1 | 1 | 1 | AP |
| | 4MX-14948-05 | .JET, SLOW (#45) | 1 | 1 | 1 | AP |
| | 4MX-14948-06 | .JET, SLOW (#48) | 1 | 1 | 1 | AP |



5TJ5100-C101

FIG. 10 CARBURETOR

| REF. NO. | PART NO. | DESCRIPTION | SUM5 | SUM6 | SUM7 | REMARKS |
|----------|--------------|------------------|------|------|------|---------|
| 20 | 4MX-14948-07 | .JET, SLOW (#50) | 1 | 1 | 1 | AP |
| 21 | 3TJ-1494F-16 | .JET (#72) | 1 | 1 | 1 | STD |
| | 3TJ-1494F-12 | .JET (#62) | 1 | 1 | 1 | AP |
| | 3TJ-1494F-13 | .JET (#65) | 1 | 1 | 1 | AP |
| | 3TJ-1494F-14 | .JET (#68) | 1 | 1 | 1 | AP |
| | 3TJ-1494F-15 | .JET (#70) | 1 | 1 | 1 | AP |
| | 3TJ-1494F-17 | .JET (#75) | 1 | 1 | 1 | AP |
| | 3TJ-1494F-18 | .JET (#78) | 1 | 1 | 1 | AP |
| | 3TJ-1494F-19 | .JET (#80) | 1 | 1 | 1 | AP |
| | 3TJ-1494F-20 | .JET (#82) | 1 | 1 | 1 | AP |
| 22 | 5TA-14943-15 | .JET, MAIN (#70) | 1 | | | |
| | 5TA-14943-11 | .JET, MAIN (#60) | | 1 | 1 | |
| 23 | 4JT-1494F-15 | .JET (#70) | 1 | | | STD |
| | 4JT-1494F-23 | .JET (#90) | | 1 | 1 | STD |
| | 4JT-1494F-03 | .JET (#40) | 1 | | | AP |
| | 4JT-1494F-07 | .JET (#50) | 1 | | | AP |
| | 4JT-1494F-11 | .JET (#60) | 1 | 1 | 1 | AP |
| | 4JT-1494F-15 | .JET (#70) | | 1 | 1 | AP |
| | 4JT-1494F-17 | .JET (#75) | | 1 | 1 | AP |
| | 4JT-1494F-19 | .JET (#80) | 1 | 1 | 1 | AP |
| | 4JT-1494F-23 | .JET (#90) | 1 | | | AP |
| | 4JT-1494F-27 | .JET(#100) | 1 | 1 | 1 | AP |
| | 4JT-1494F-29 | .JET(#110) | | 1 | 1 | AP |
| | 4JT-1494F-31 | .JET(#120) | | 1 | 1 | AP |
| 24 | 3TJ-14105-40 | .PILOT SCREW SET | 1 | 1 | 1 | |
| 25 | 4SR-14985-00 | .FLOAT | 1 | 1 | 1 | |
| 26 | 676-14548-00 | .PIN, FLOAT ARM | 1 | 1 | 1 | |



5TJ5100-C101

FIG. 10 CARBURETOR

| REF. NO. | PART NO. | DESCRIPTION | SUM5 | SUM6 | SUM7 | REMARKS |
|----------|--------------|------------------------|------|------|------|---------|
| 27 | 4MX-14392-00 | .VALVE, NEEDLE | 1 | 1 | 1 | |
| 28 | 633-14159-00 | .CLIP | 1 | 1 | 1 | |
| 29 | 5JG-14984-00 | .GASKET, FLOAT CHAMBER | 1 | 1 | 1 | |
| 30 | 3TJ-14191-40 | .PLUG, DRAIN | 1 | 1 | 1 | |
| 31 | 3TJ-14293-40 | .COVER 1 | 1 | 1 | 1 | |
| 32 | 5JG-14940-76 | .DIAPHRAGM ASSY | 1 | 1 | 1 | STD |
| | 5JG-14940-16 | .DIAPHRAGM ASSY | 1 | 1 | 1 | AP |
| | 5JG-14940-17 | .DIAPHRAGM ASSY | 1 | 1 | 1 | AP |
| | 5JG-14940-18 | .DIAPHRAGM ASSY | 1 | 1 | 1 | AP |
| 33 | 3TJ-14536-40 | .GASKET | 2 | 2 | 2 | |
| 34 | 3TJ-14933-40 | .SPRING, DIAPHRAGM | 1 | 1 | 1 | |
| 35 | 6H4-14561-00 | .O-RING | 1 | 1 | 1 | |
| 36 | 5TA-14171-00 | .PLUNGER, STARTER | 1 | 1 | 1 | |
| 37 | 5TA-14371-00 | .PLUNGER, STARTER | 1 | 1 | 1 | |
| 38 | 5TA-14335-00 | .SPRING, PLUNGER | 1 | 1 | 1 | |
| 39 | 5TA-14991-00 | .SCREW | 1 | 1 | 1 | |
| 40 | 5TA-14374-00 | .CAP, PLUNGER | 1 | 1 | 1 | |
| 41 | 5TA-14155-00 | .GUIDE, CABLE | 1 | 1 | 1 | |
| 42 | 5TA-14997-00 | .SEAL | 1 | 1 | 1 | |
| 43 | 5JG-14379-00 | .ROD, STARTER | 1 | 1 | 1 | |
| 44 | 5JG-14922-00 | .SCREW, THROTTLE | 1 | 1 | 1 | |
| 45 | 90201-08410 | .WASHER, PLATE | 1 | 1 | 1 | |
| 46 | 5TA-14934-00 | .SPRING, THROTTLE STOP | 1 | 1 | 1 | |
| 47 | 5TA-85885-00 | .THROTTLE SENSOR ASSY | 1 | 1 | 1 | |
| 48 | 5NX-14562-00 | .O-RING | 1 | 1 | 1 | |
| 49 | 5NX-14216-00 | .SCREW | 1 | 1 | 1 | |
| 50 | 4MX-14561-00 | .O-RING | 1 | 1 | 1 | |

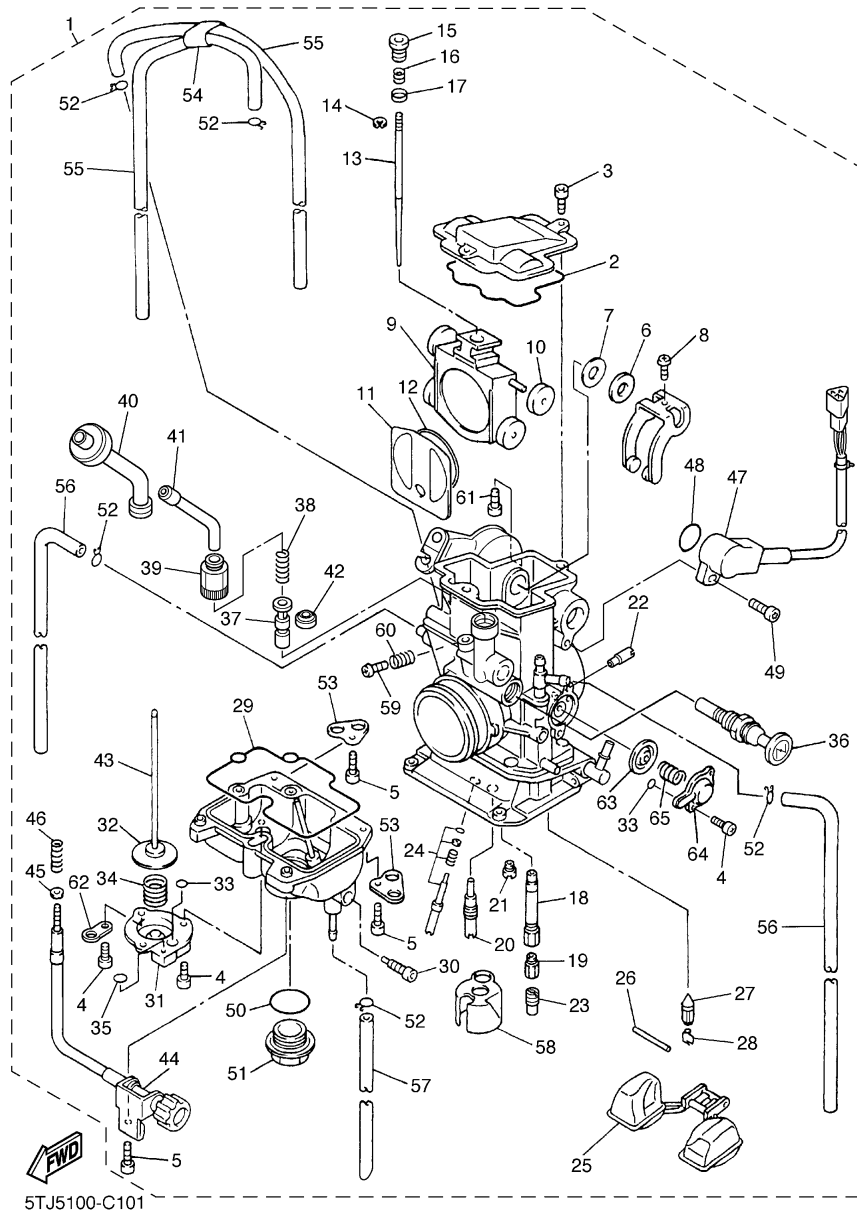
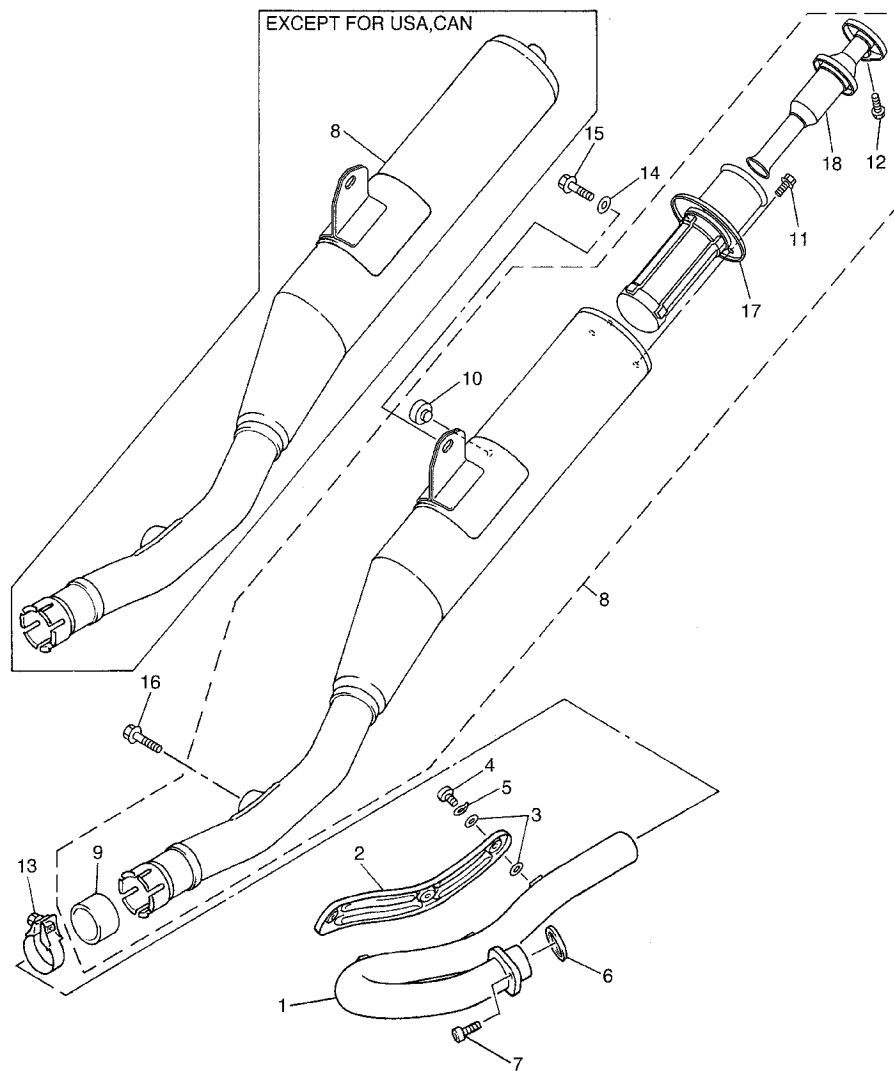


FIG. 10 CARBURETOR

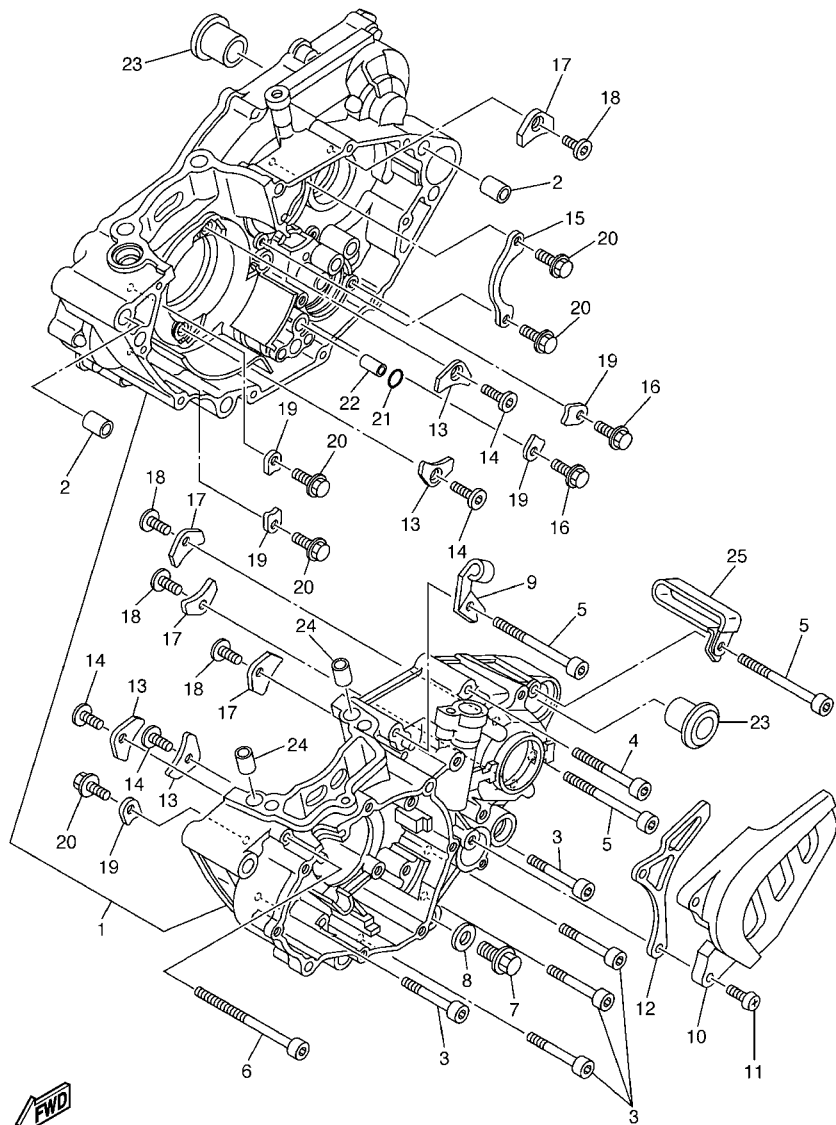
| REF. NO. | PART NO. | DESCRIPTION | SUM5 | SUM6 | SUM7 | REMARKS |
|----------|--------------|-----------------------|------|------|------|---------|
| 51 | 4MX-14115-00 | .PLUG, SCREW | 1 | 1 | 1 | |
| 52 | 3TJ-14137-40 | .CLIP | 5 | 5 | 5 | |
| 53 | 5BE-14146-00 | .PLATE | 2 | 2 | 2 | |
| 54 | 5TA-14261-00 | .HOLDER | 1 | 1 | 1 | |
| 55 | 5UL-14196-00 | .PIPE | 2 | 2 | 2 | |
| 56 | 5TA-14197-00 | .PIPE | 2 | 2 | 2 | |
| 57 | 5TJ-14987-00 | .HOSE | 1 | 1 | 1 | |
| 58 | 5JG-14346-00 | .PLATE | 1 | 1 | 1 | |
| 59 | 5JG-14565-00 | .SCREW | 1 | 1 | 1 | |
| 60 | 5JG-14531-00 | .SPRING, ADJUST SCREW | 1 | 1 | 1 | |
| 61 | 5GS-14591-00 | .SCREW | 1 | | | |
| | 5NL-14591-00 | .SCREW | | 1 | 1 | |
| 62 | 5PA-14146-00 | .PLATE | 1 | 1 | 1 | |
| 63 | 5GS-14940-00 | .DIAPHRAGM ASSY | 1 | 1 | 1 | |
| 64 | 5GS-14958-00 | .COVER, DIAPHRAGM | 1 | 1 | 1 | |
| 65 | 5GS-14933-00 | .SPRING, DIAPHRAGM | 1 | 1 | 1 | |

FIG. 11 EXHAUST



5TJ5100C1101

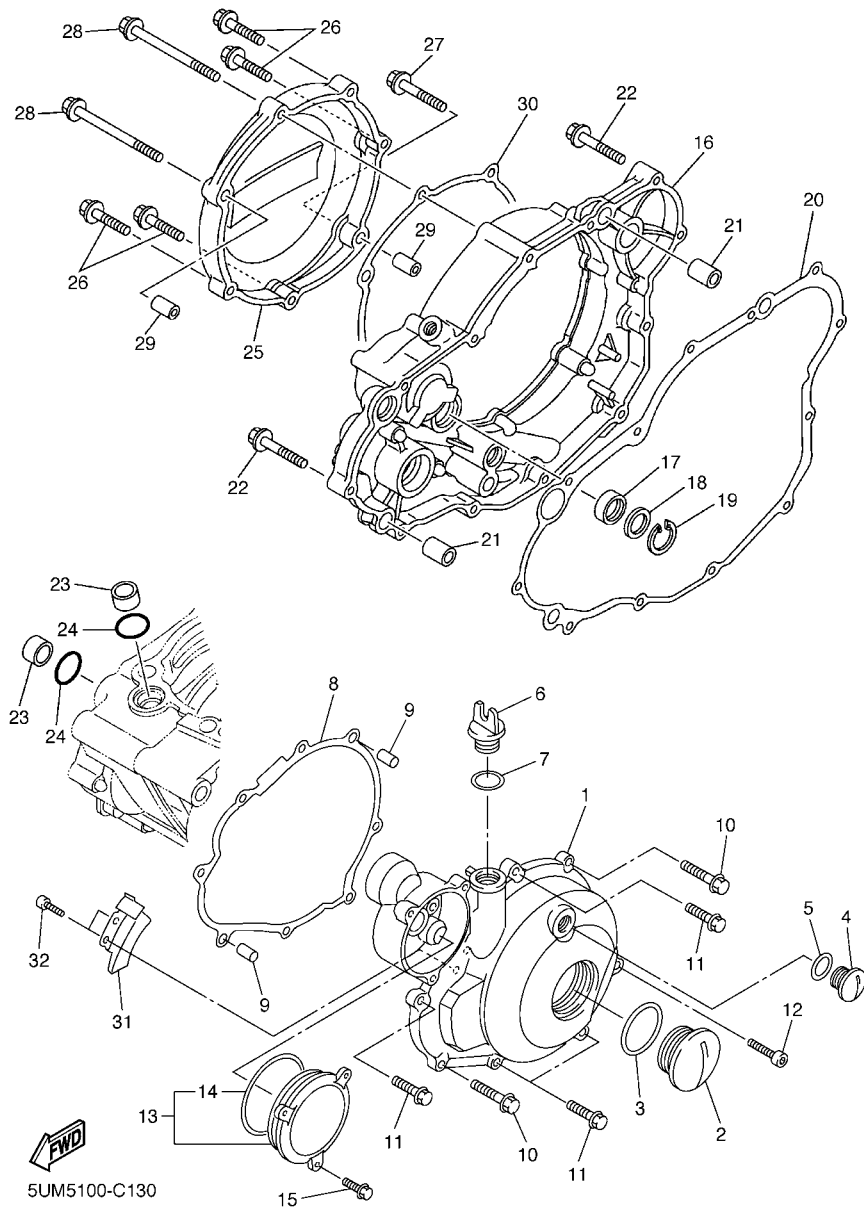
| REF. NO. | PART NO. | DESCRIPTION | SUM5 | SUM6 | SUM7 | REMARKS |
|----------|--------------|-------------------------|------|------|------|-------------|
| 1 | 5XC-14611-00 | PIPE, EXHAUST 1 | 1 | 1 | 1 | |
| 2 | 5XC-14628-00 | PROTECTOR, EXHAUST PIPE | 1 | 1 | 1 | |
| 3 | 4BD-14766-00 | WASHER, PROTECTOR | 6 | 6 | 6 | |
| 4 | 98980-06008 | SCREW, BIND | 3 | 3 | 3 | |
| 5 | 90206-06090 | WASHER, WAVE | 3 | 3 | 3 | |
| 6 | 5NL-14613-00 | GASKET, EXHAUST PIPE | 1 | 1 | 1 | |
| 7 | 91317-08020 | BOLT | 1 | 1 | 1 | |
| 8 | 5UM-14710-50 | MUFFLER ASSY 1 | 1 | | | |
| | 5UM-14710-60 | MUFFLER ASSY 1 | | 1 | 1 | FOR OCE,ZAF |
| | 5UM-14710-70 | MUFFLER ASSY 1 | | | 1 | FOR CAN |
| 9 | 5PH-14714-00 | .GASKET, MUFFLER | 1 | 1 | 1 | |
| 10 | 22W-24181-00 | .DAMPER, LOCATING 1 | 1 | 1 | 1 | |
| 11 | 95804-06010 | .BOLT, FLANGE | 3 | | 3 | FOR CAN |
| 12 | 95804-06016 | .BOLT, FLANGE | 1 | | 1 | FOR CAN |
| 13 | 5BE-14788-00 | BAND, SILENCER | 1 | 1 | 1 | |
| 14 | 90201-086P8 | WASHER, PLATE | 1 | 1 | 1 | |
| 15 | 95817-08020 | BOLT, FLANGE | 1 | 1 | 1 | |
| 16 | 90105-08057 | BOLT, FLANGE | 1 | 1 | 1 | |
| 17 | 5BF-14786-00 | . ARRESTER, SPARK | 1 | | | |
| 18 | 5BF-14752-00 | . PIPE | 1 | | | |



5UM5100-C120

FIG. 12 CRANKCASE

| REF. NO. | PART NO. | DESCRIPTION | SUM5 | SUM6 | SUM7 | REMARKS |
|----------|--------------|----------------------|------|------|------|---------|
| 1 | 5UM-15150-10 | CRANKCASE ASSY | 1 | 1 | 1 | |
| 2 | 93612-16254 | PIN, DOWEL | 2 | 2 | 2 | |
| 3 | 91317-06045 | BOLT | 5 | 5 | 5 | |
| 4 | 91317-06055 | BOLT | 1 | 1 | 1 | |
| 5 | 91317-06070 | BOLT | 3 | 3 | 3 | |
| 6 | 91317-06100 | BOLT | 1 | 1 | 1 | |
| 7 | 95027-10016 | BOLT, FLANGE | 1 | 1 | 1 | |
| 8 | 90430-10188 | GASKET | 1 | 1 | 1 | |
| 9 | 5NL-15441-01 | HOLDER, CLUTCH CABLE | 1 | 1 | 1 | |
| 10 | 5BE-15421-01 | COVER, CRANKCASE 2 | 1 | 1 | 1 | |
| 11 | 98507-06025 | SCREW, PAN HEAD | 2 | 2 | 2 | |
| 12 | 5NL-17466-00 | GUIDE, CHAIN | 1 | 1 | 1 | |
| 13 | 5BE-15383-01 | PLATE, BEARING COVER | 4 | 4 | 4 | |
| 14 | 90149-06126 | SCREW | 4 | 4 | 4 | |
| 15 | 5NL-15388-00 | PLATE, BEARING COVER | 1 | 1 | 1 | |
| 16 | 90105-06553 | BOLT, FLANGE | 2 | 2 | 2 | |
| 17 | 4JT-15381-01 | PLATE, BEARING COVER | 4 | 4 | 4 | |
| 18 | 90149-06326 | SCREW | 4 | 4 | 4 | |
| 19 | 5DH-18562-00 | PLATE, STOPPER 2 | 5 | 5 | 5 | |
| 20 | 90105-06553 | BOLT, FLANGE | 5 | 5 | 5 | |
| 21 | 93210-10197 | O-RING | 1 | 1 | 1 | |
| 22 | 99530-10114 | PIN, DOWEL | 1 | 1 | 1 | |
| 23 | 90387-18007 | COLLAR | 2 | 2 | 2 | |
| 24 | 99530-10116 | PIN, DOWEL | 2 | 2 | 2 | |
| 25 | 90465-10013 | CLAMP | 1 | 1 | 1 | |



5UM5100-C130

FIG. 13 CRANKCASE COVER 1

| REF. NO. | PART NO. | DESCRIPTION | SUM5 | SUM6 | SUM7 | REMARKS |
|----------|--------------|---------------------------|------|------|------|---------|
| 1 | 5UM-15411-10 | COVER, CRANKCASE 1 | 1 | 1 | 1 | |
| 2 | 90340-27002 | PLUG, STRAIGHT SCREW | 1 | 1 | 1 | |
| 3 | 93210-27370 | O-RING | 1 | 1 | 1 | |
| 4 | 90340-14128 | PLUG, STRAIGHT SCREW | 1 | 1 | 1 | |
| 5 | 93210-14369 | O-RING | 1 | 1 | 1 | |
| 6 | 3Y1-15363-00 | PLUG, OIL | 1 | 1 | 1 | |
| 7 | 93210-19123 | O-RING | 1 | 1 | 1 | |
| 8 | 5UM-15451-00 | GASKET, CRANKCASE COVER 1 | 1 | 1 | 1 | |
| 9 | 99530-08016 | PIN, DOWEL | 2 | 2 | 2 | |
| 10 | 95027-06040 | BOLT, FLANGE | 2 | 2 | 2 | |
| 11 | 95027-06030 | BOLT, FLANGE | 4 | 4 | 4 | |
| 12 | 91317-06110 | BOLT | 1 | 1 | 1 | |
| 13 | 5UM-1549B-00 | COVER ASSY 2 | 1 | 1 | 1 | |
| 14 | 93210-60426 | .O-RING | 1 | 1 | 1 | |
| 15 | 95027-06016 | BOLT, FLANGE | 3 | 3 | 3 | |
| 16 | 5NL-15431-10 | COVER, CRANKCASE 3 | 1 | 1 | 1 | |
| 17 | 93101-14164 | OIL SEAL | 1 | 1 | 1 | |
| 18 | 90201-15701 | WASHER, PLATE (T=1.0) | 1 | 1 | 1 | |
| 19 | 99009-22500 | CIRCLIP | 1 | 1 | 1 | |
| 20 | 5NL-15462-00 | GASKET, CRANKCASE COVER 3 | 1 | 1 | 1 | |
| 21 | 91812-16001 | PIN, DOWEL | 2 | 2 | 2 | |
| 22 | 95027-06035 | BOLT, FLANGE | 8 | 8 | 8 | |
| 23 | 5NL-12564-00 | PIPE, WATER | 2 | 2 | 2 | |
| 24 | 93210-16716 | O-RING | 2 | 2 | 2 | |
| 25 | 5NL-15415-00 | COVER 1 | 1 | 1 | 1 | |
| 26 | 95027-06025 | BOLT, FLANGE | 4 | 4 | 4 | |
| 27 | 95027-06035 | BOLT, FLANGE | 1 | 1 | 1 | |

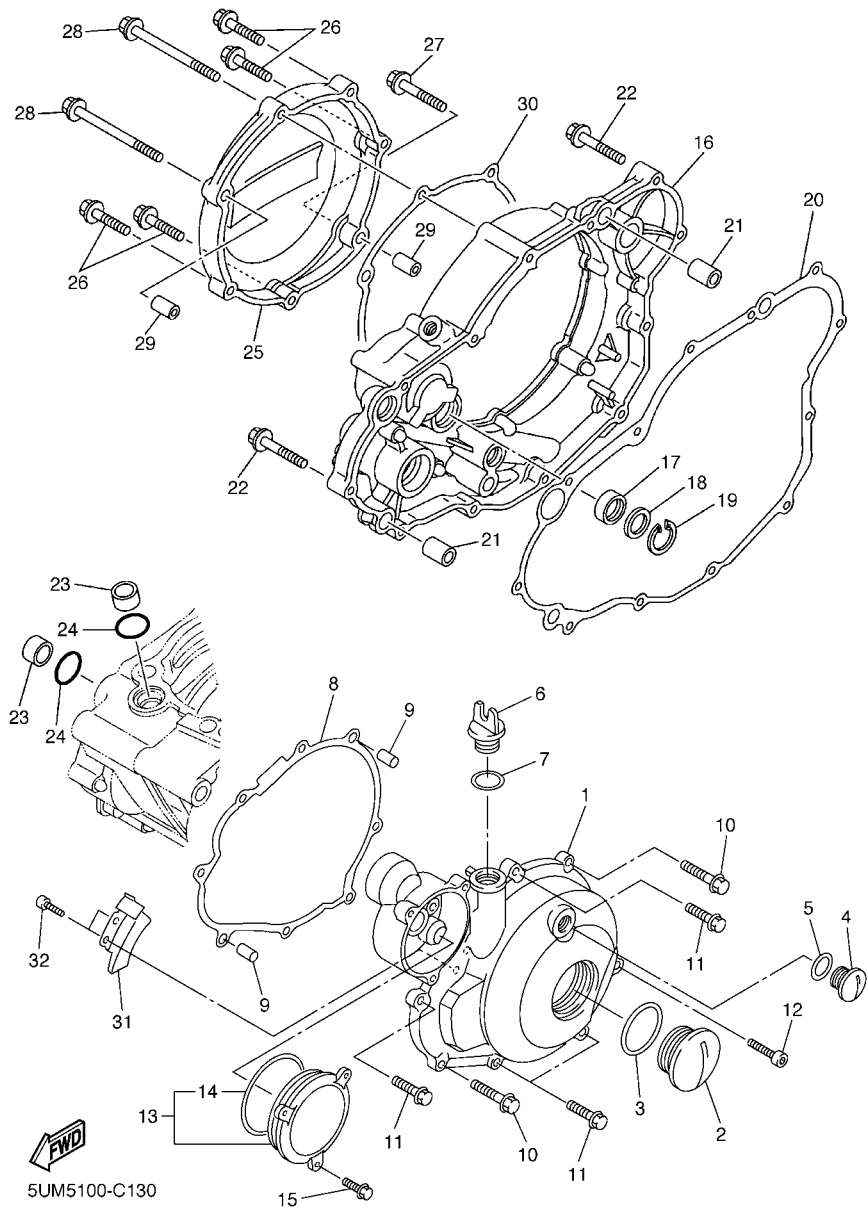
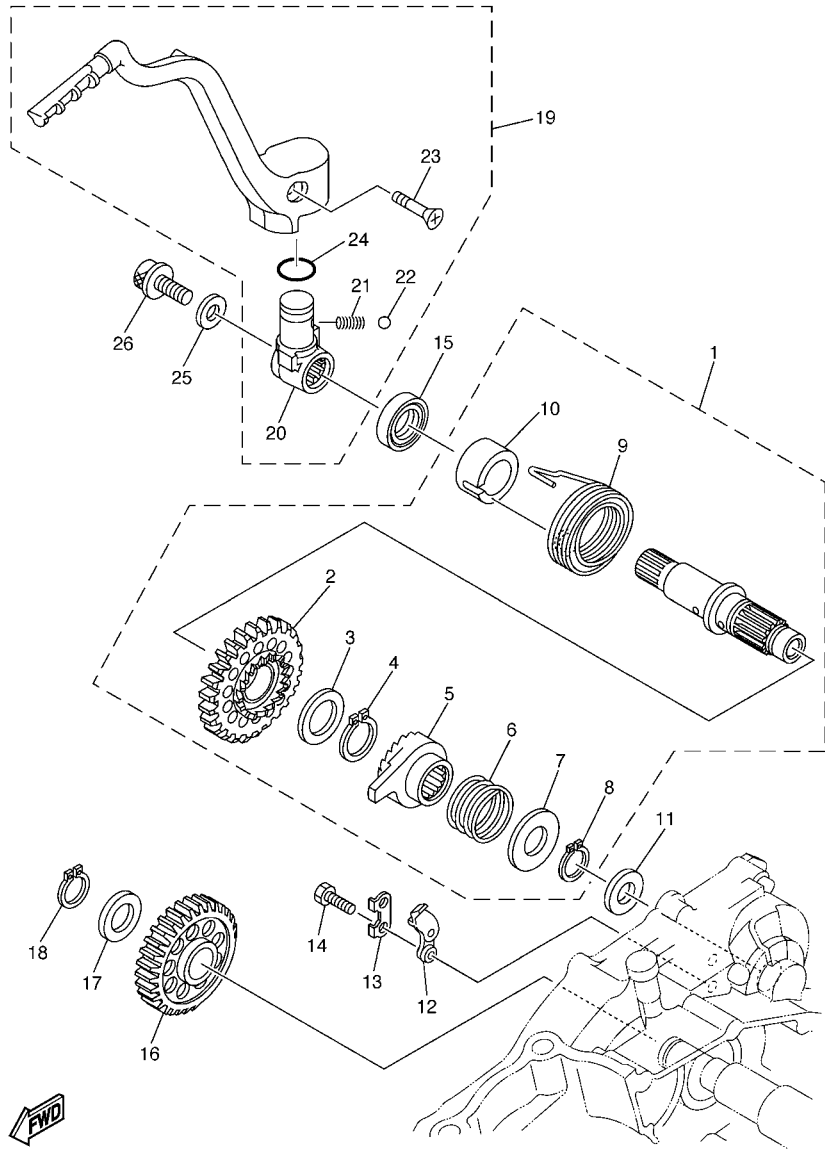


FIG. 13 CRANKCASE COVER 1

| REF. NO. | PART NO. | DESCRIPTION | 5UM5 | 5UM6 | 5UM7 | REMARKS |
|----------|--------------|--------------|------|------|------|---------|
| 28 | 90105-065A1 | BOLT, FLANGE | 2 | 2 | 2 | |
| 29 | 99530-08016 | PIN, DOWEL | 2 | 2 | 2 | |
| 30 | 5NL-15453-00 | GASKET 1 | 1 | 1 | 1 | |
| 31 | 5UM-81528-00 | CLAMP 1 | 1 | 1 | 1 | |
| 32 | 91317-05012 | BOLT | 2 | 2 | 2 | |
| ----- | | | | | | |
| ----- | | | | | | |
| ----- | | | | | | |
| ----- | | | | | | |
| ----- | | | | | | |
| ----- | | | | | | |
| ----- | | | | | | |
| ----- | | | | | | |
| ----- | | | | | | |

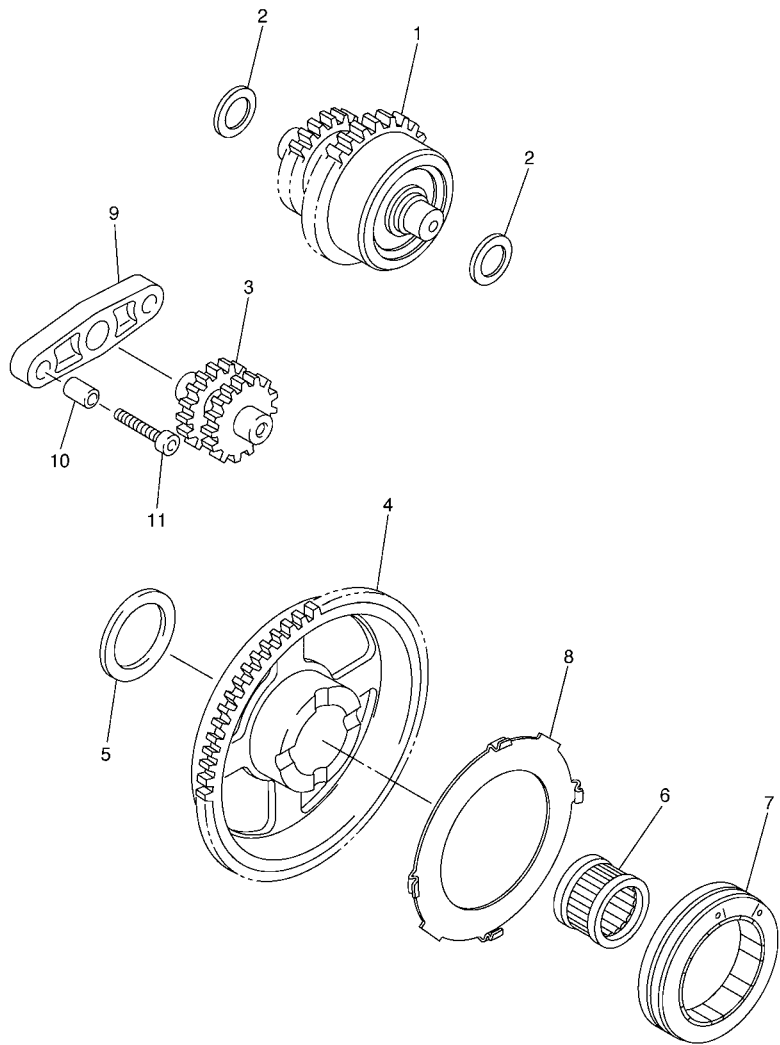
FIG. 14 STARTER



5SG1100-2140


| REF. NO. | PART NO. | DESCRIPTION | SUM5 | SUM6 | SUM7 | REMARKS |
|----------|--------------|------------------------|------|------|------|---------|
| 1 | 5NL-15601-00 | KICK SHAFT ASSY | 1 | 1 | 1 | |
| 2 | 5NL-15641-00 | .GEAR, KICK | 1 | 1 | 1 | |
| 3 | 90201-20685 | .WASHER, PLATE (T=0.5) | 1 | 1 | 1 | |
| 4 | 93410-20038 | .CIRCLIP | 1 | 1 | 1 | |
| 5 | 4GY-15671-00 | .WHEEL, RATCHET | 1 | 1 | 1 | |
| 6 | 90501-16016 | .SPRING, COMPRESSION | 1 | 1 | 1 | |
| 7 | 90201-167P7 | .WASHER, PLATE | 1 | 1 | 1 | |
| 8 | 99009-16400 | .CIRCLIP | 1 | 1 | 1 | |
| 9 | 90508-30743 | .SPRING, TORSION | 1 | 1 | 1 | |
| 10 | 5NL-15664-00 | .GUIDE, SPRING | 1 | 1 | 1 | |
| 11 | 90201-162H4 | WASHER, PLATE | 1 | 1 | 1 | |
| 12 | 5SG-15668-00 | STOPPER | 1 | 1 | 1 | |
| 13 | 214-15686-00 | WASHER, LOCK | 1 | 1 | 1 | |
| 14 | 90101-06001 | BOLT | 2 | 2 | 2 | |
| 15 | 93102-18278 | OIL SEAL | 1 | 1 | 1 | |
| 16 | 5NL-15651-00 | GEAR, KICK IDLE | 1 | 1 | 1 | |
| 17 | 90201-177G4 | WASHER, PLATE | 1 | 1 | 1 | |
| 18 | 99009-17400 | CIRCLIP | 1 | 1 | 1 | |
| 19 | 5NL-15620-10 | KICK CRANK ASSY | 1 | 1 | 1 | |
| 20 | 5NX-15621-10 | .BOSS, KICK CRANK | 1 | 1 | 1 | |
| 21 | 90501-147A5 | .SPRING, COMPRESSION | 1 | 1 | 1 | |
| 22 | 93507-32009 | .BALL | 1 | 1 | 1 | |
| 23 | 90152-06010 | .SCREW, COUNTERSUNK | 1 | 1 | 1 | |
| 24 | 93210-17570 | .O-RING | 1 | 1 | 1 | |
| 25 | 90201-08326 | WASHER, PLATE | 1 | 1 | 1 | |
| 26 | 90109-082G0 | BOLT | 1 | 1 | 1 | |

FIG. 15 STARTER CLUTCH



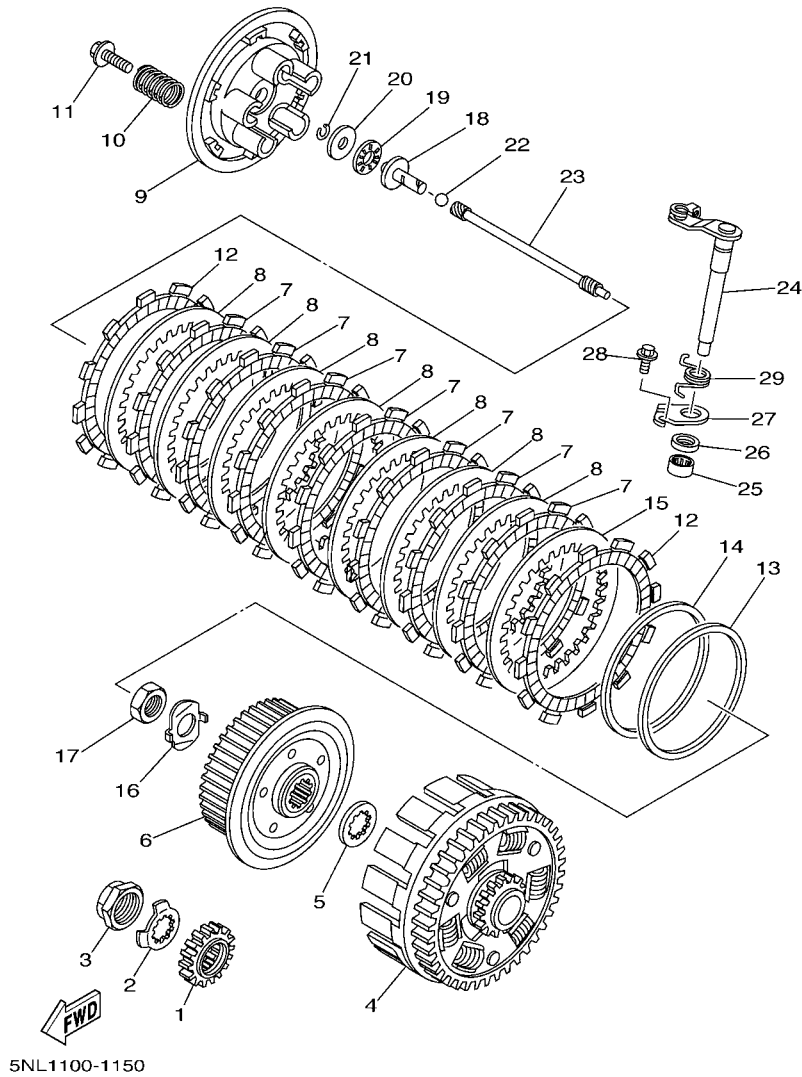
| REF. NO. | PART NO. | DESCRIPTION | 5UM5 | 5UM6 | 5UM7 | REMARKS |
|----------|--------------|----------------------------|------|------|------|---------|
| | | | | | | |
| 1 | 5UM-15560-00 | DAMPER ASSY | 1 | 1 | 1 | |
| 2 | 90201-104R2 | WASHER, PLATE | 2 | 2 | 2 | |
| 3 | 5UM-15517-00 | GEAR, IDLER 2 | 1 | 1 | 1 | |
| 4 | 5UM-15515-10 | GEAR 3 | 1 | 1 | 1 | |
| 5 | 90201-203L1 | WASHER, PLATE | 1 | 1 | 1 | |
| 6 | 93310-42057 | BEARING | 1 | 1 | 1 | |
| 7 | 5UM-15570-00 | STARTER CLUTCH ASSY | 1 | 1 | 1 | |
| 8 | 5VY-15586-00 | PLATE, STARTER CLUTCH ASSY | 1 | 1 | 1 | |
| 9 | 5UM-15532-00 | PLATE, IDLE GEAR | 1 | 1 | 1 | |
| 10 | 99530-08012 | PIN, DOWEL | 2 | 2 | 2 | |
| 11 | 91317-06025 | BOLT | 2 | 2 | 2 | |
| | | | | | | |
| | | | | | | |
| | | | | | | |
| | | | | | | |
| | | | | | | |



5UM5100-C150

C10

FIG. 16 CLUTCH



| REF. NO. | PART NO. | DESCRIPTION | SUM5 | SUM6 | SUM7 | REMARKS |
|----------|--------------|---------------------------|------|------|------|---------|
| 1 | 5NL-16111-00 | GEAR, PRIMARY DRIVE | 1 | 1 | 1 | |
| 2 | 90215-20003 | WASHER, LOCK | 1 | 1 | 1 | |
| 3 | 90179-18001 | NUT | 1 | 1 | 1 | |
| 4 | 5NL-16150-10 | PRIMARY DRIVEN GEAR COMP. | 1 | 1 | 1 | |
| 5 | 5NL-16154-00 | PLATE, THRUST 1 | 1 | 1 | 1 | |
| 6 | 5NL-16371-00 | BOSS, CLUTCH | 1 | 1 | 1 | |
| 7 | 5DH-16321-00 | PLATE, FRICTION | 7 | 7 | 7 | |
| 8 | 5NL-16325-00 | PLATE, CLUTCH 2 | 7 | 7 | 7 | |
| 9 | 5HD-16351-00 | PLATE, PRESSURE 1 | 1 | 1 | 1 | |
| 10 | 90501-220A0 | SPRING, COMPRESSION | 5 | 5 | 5 | |
| 11 | 90159-06092 | SCREW, WITH WASHER | 5 | 5 | 5 | |
| 12 | 3XJ-16321-00 | PLATE, FRICTION | 2 | 2 | 2 | |
| 13 | 5NL-16384-00 | PLATE, SEAT | 1 | 1 | 1 | |
| 14 | 5NL-16383-10 | SPRING, CLUTCH BOSS | 1 | 1 | 1 | |
| 15 | 5NL-16325-10 | PLATE, CLUTCH 2 | 1 | 1 | 1 | |
| 16 | 90215-16289 | WASHER, LOCK | 1 | 1 | 1 | |
| 17 | 90170-16326 | NUT | 1 | 1 | 1 | |
| 18 | 5NL-16356-00 | ROD, PUSH 1 | 1 | 1 | 1 | |
| 19 | 93340-21008 | BEARING | 1 | 1 | 1 | |
| 20 | 90201-080H1 | WASHER, PLATE | 1 | 1 | 1 | |
| 21 | 93440-07182 | CIRCLIP | 1 | 1 | 1 | |
| 22 | 93511-32027 | BALL | 1 | 1 | 1 | |
| 23 | 5NL-16357-00 | ROD, PUSH 2 | 1 | 1 | 1 | |
| 24 | 5JG-16381-00 | PUSH LEVER COMP. | 1 | 1 | 1 | |
| 25 | 93317-11287 | BEARING | 1 | 1 | 1 | |
| 26 | 93102-12224 | OIL SEAL | 1 | 1 | 1 | |
| 27 | 4JT-16384-00 | PLATE, SEAT | 1 | 1 | 1 | |

FIG. 16 CLUTCH

| REF. NO. | PART NO. | DESCRIPTION | SUM5 | SUM6 | SUM7 | REMARKS |
|----------|-------------|-----------------|------|------|------|---------|
| 28 | 95027-06010 | BOLT, FLANGE | 1 | 1 | 1 | |
| 29 | 90508-142B5 | SPRING, TORSION | 1 | 1 | 1 | |
| ----- | | | | | | |
| ----- | | | | | | |
| ----- | | | | | | |
| ----- | | | | | | |
| ----- | | | | | | |
| ----- | | | | | | |
| ----- | | | | | | |
| ----- | | | | | | |
| ----- | | | | | | |

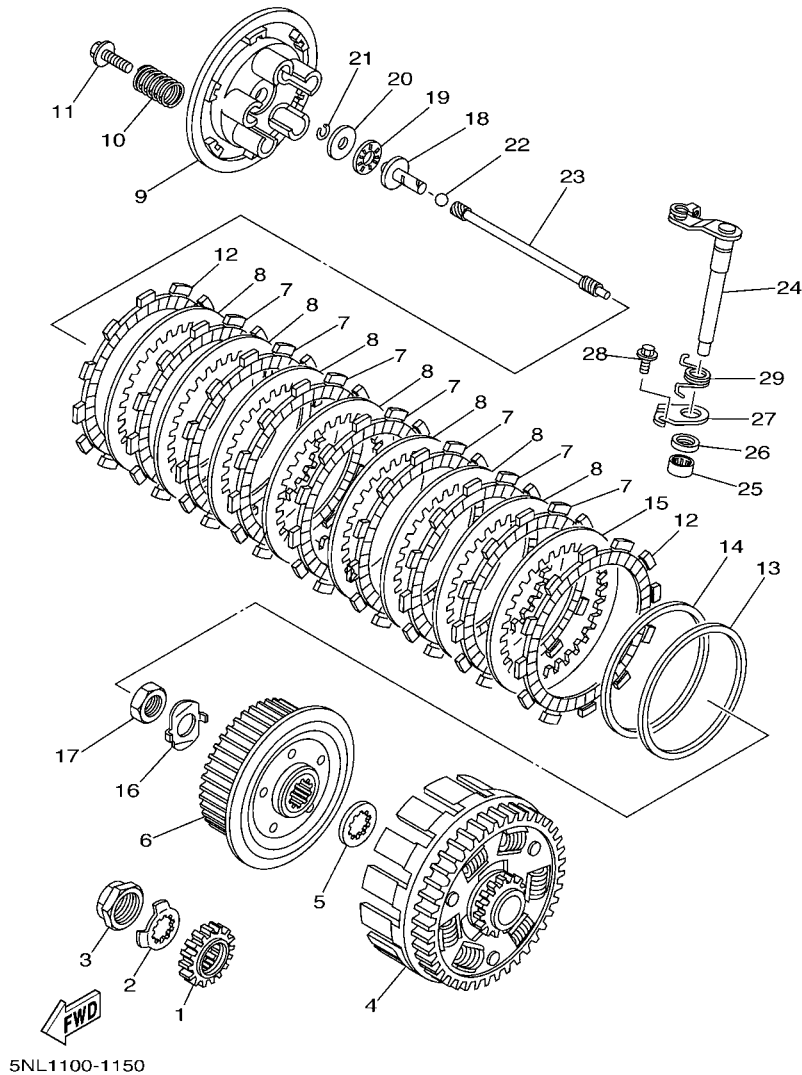
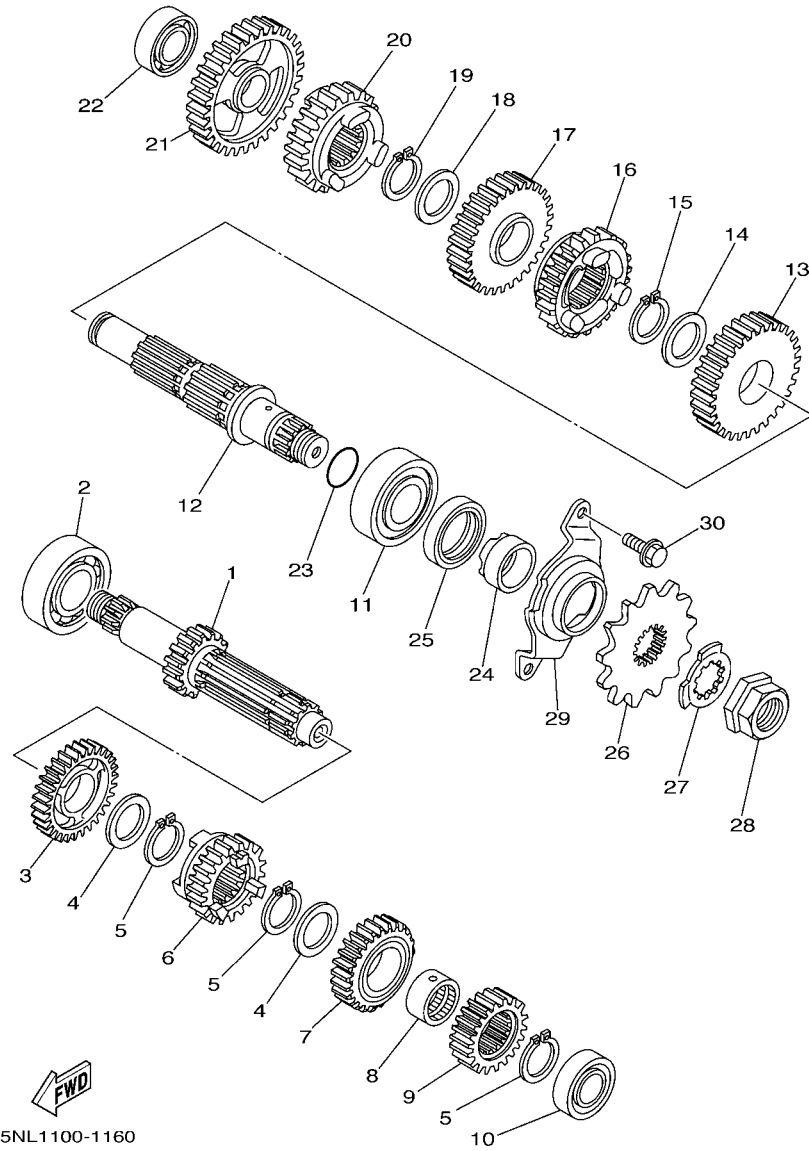


FIG. 17 TRANSMISSION



5NL1100-1160

| REF. NO. | PART NO. | DESCRIPTION | SUM5 | SUM6 | SUM7 | REMARKS |
|----------|--------------|------------------------|------|------|------|------------|
| 1 | 5PH-17411-10 | AXLE, MAIN (13T) | 1 | 1 | 1 | |
| 2 | 93306-20447 | BEARING | 1 | 1 | 1 | |
| 3 | 5PH-17151-00 | GEAR,5TH PINION (27T) | 1 | 1 | 1 | |
| 4 | 90209-20008 | WASHER | 2 | 2 | 2 | |
| 5 | 93410-22039 | CIRCLIP | 3 | 3 | 3 | |
| 6 | 5PH-17131-10 | GEAR,3RD PINION (21T) | 1 | 1 | 1 | |
| 7 | 5PH-17141-10 | GEAR, 4TH PINION (24T) | 1 | 1 | 1 | |
| 8 | 90387-20006 | COLLAR | 1 | 1 | 1 | |
| 9 | 5NL-17121-00 | GEAR, 2ND PINION (16T) | 1 | 1 | 1 | |
| 10 | 93306-00320 | BEARING | 1 | 1 | 1 | |
| 11 | 93306-27208 | BEARING | 1 | 1 | 1 | |
| 12 | 5NL-17402-00 | DRIVE AXLE ASSY | 1 | 1 | 1 | |
| 13 | 5NL-17221-00 | GEAR, 2ND WHEEL (28T) | 1 | 1 | 1 | |
| 14 | 90209-23012 | WASHER | 1 | 1 | 1 | |
| 15 | 93410-26067 | CIRCLIP | 1 | 1 | 1 | |
| 16 | 5PH-17241-10 | GEAR, 4TH WHEEL (25T) | 1 | 1 | 1 | |
| 17 | 5PH-17231-10 | GEAR,3RD WHEEL (28T) | 1 | 1 | 1 | |
| 18 | 90209-20008 | WASHER | 1 | 1 | 1 | |
| 19 | 93410-22039 | CIRCLIP | 1 | 1 | 1 | |
| 20 | 5PH-17251-10 | GEAR,5TH WHEEL (22T) | 1 | 1 | 1 | |
| 21 | 5PH-17211-00 | GEAR,1ST WHEEL (31T) | 1 | 1 | 1 | |
| 22 | 93306-00317 | BEARING | 1 | 1 | 1 | |
| 23 | 93210-196A4 | O-RING | 1 | 1 | 1 | |
| 24 | 90387-22001 | COLLAR | 1 | 1 | 1 | |
| 25 | 93102-28010 | OIL SEAL | 1 | 1 | 1 | |
| 26 | 9383B-13218 | SPROCKET, DRIVE (13T) | 1 | 1 | 1 | STD |
| | 9383B-14222 | SPROCKET, DRIVE (14T) | | | 1 | AP FOR OCE |

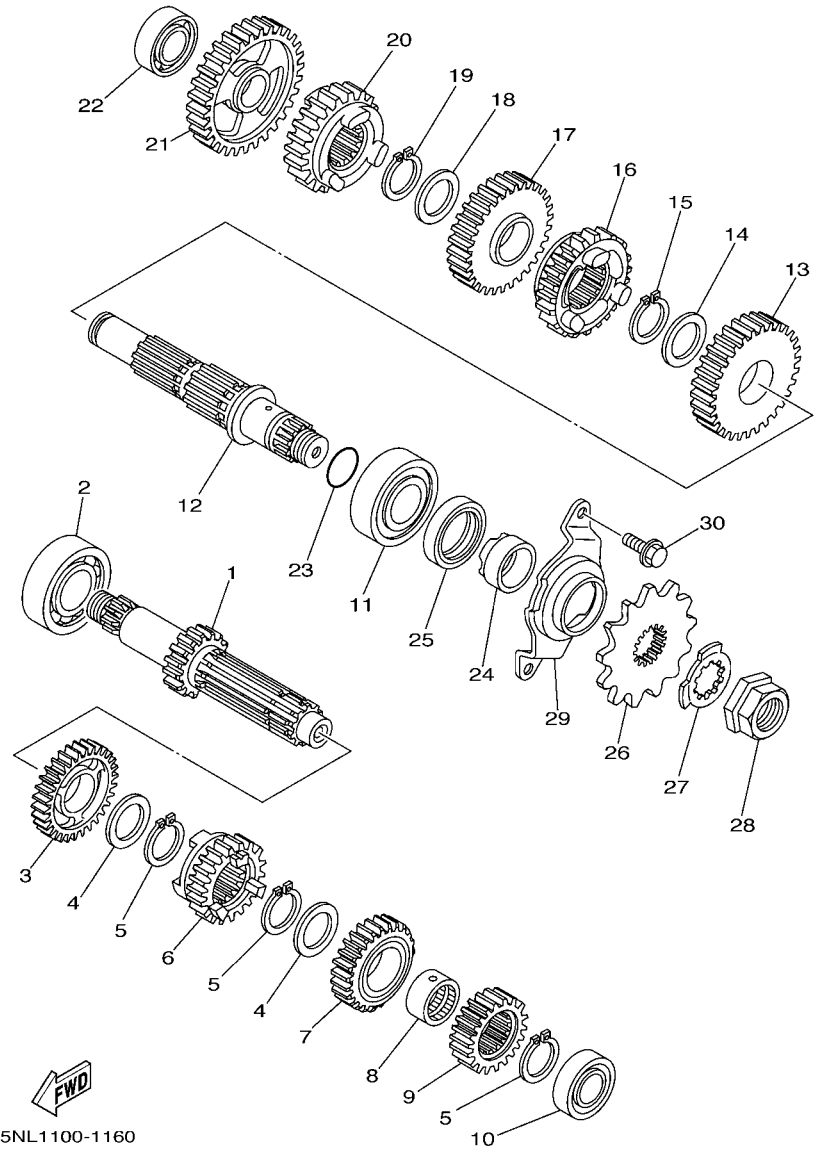
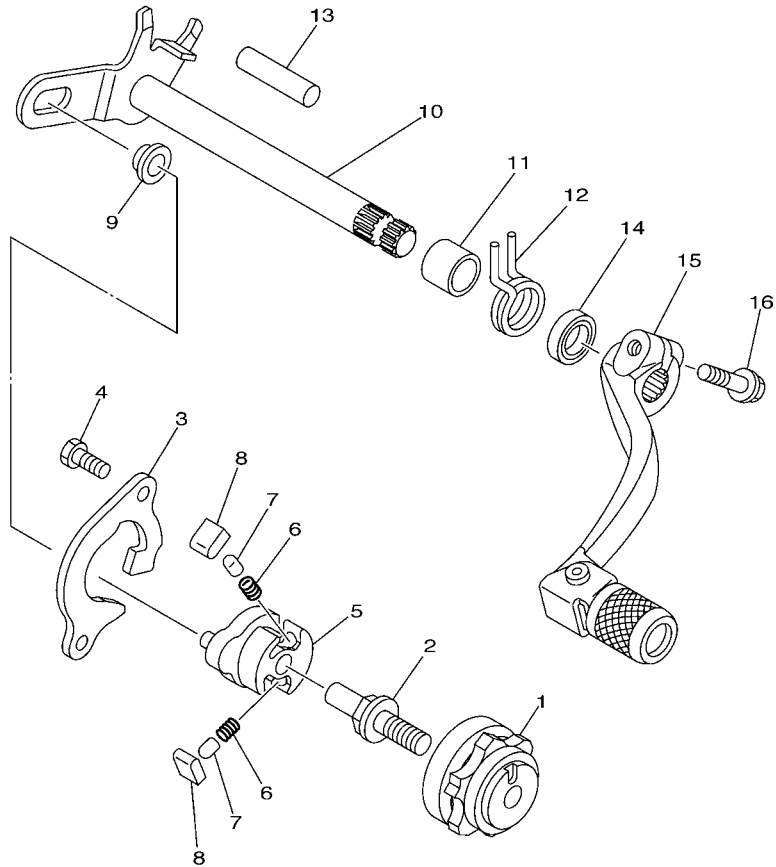


FIG. 17 TRANSMISSION

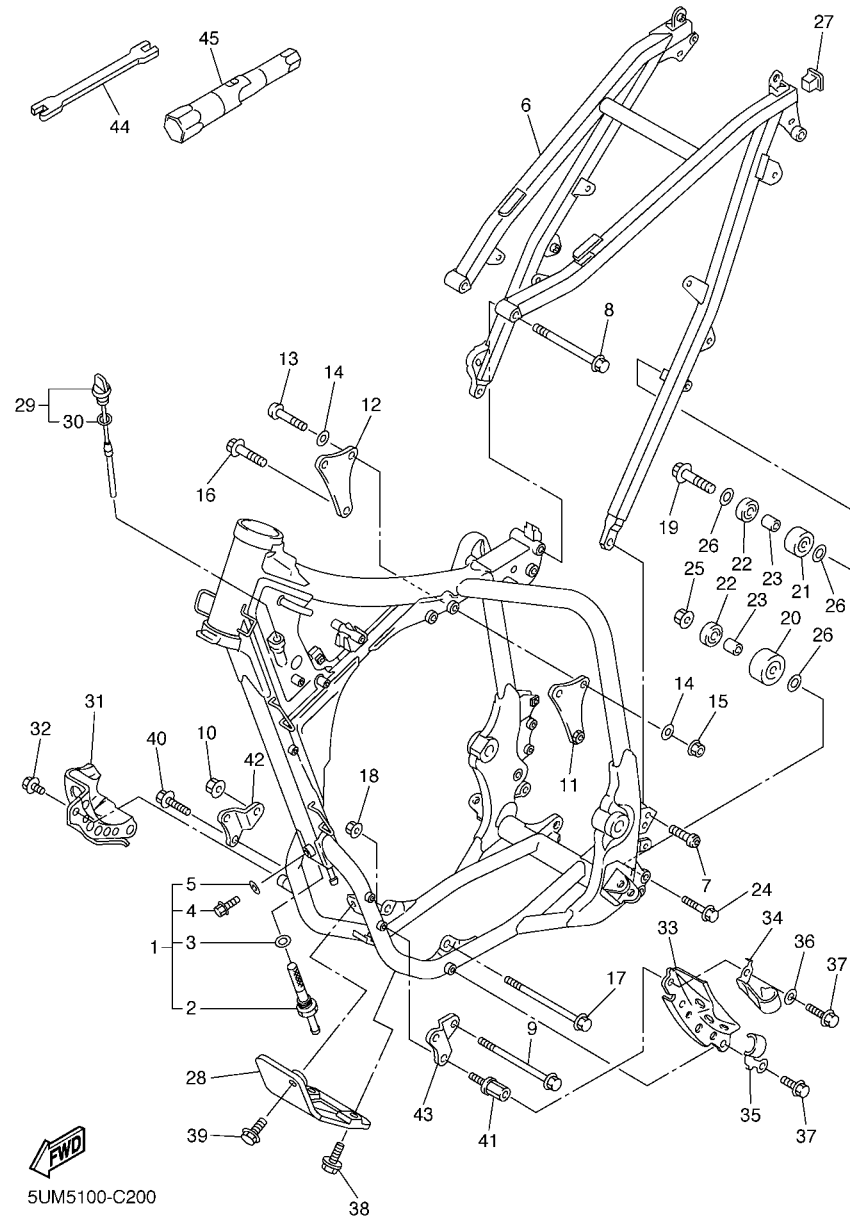
| REF. NO. | PART NO. | DESCRIPTION | SUM5 | SUM6 | SUM7 | REMARKS |
|----------|--------------|--------------|------|------|------|---------|
| 27 | 90215-20003 | WASHER, LOCK | 1 | 1 | 1 | |
| 28 | 90179-18001 | NUT | 1 | 1 | 1 | |
| 29 | 5NL-17471-00 | PLATE, COVER | 1 | 1 | 1 | |
| 30 | 90105-06553 | BOLT, FLANGE | 2 | 2 | 2 | |
| ----- | | | | | | |
| ----- | | | | | | |
| ----- | | | | | | |
| ----- | | | | | | |
| ----- | | | | | | |
| ----- | | | | | | |
| ----- | | | | | | |

FIG. 19 SHIFT SHAFT



5NL1100-1180

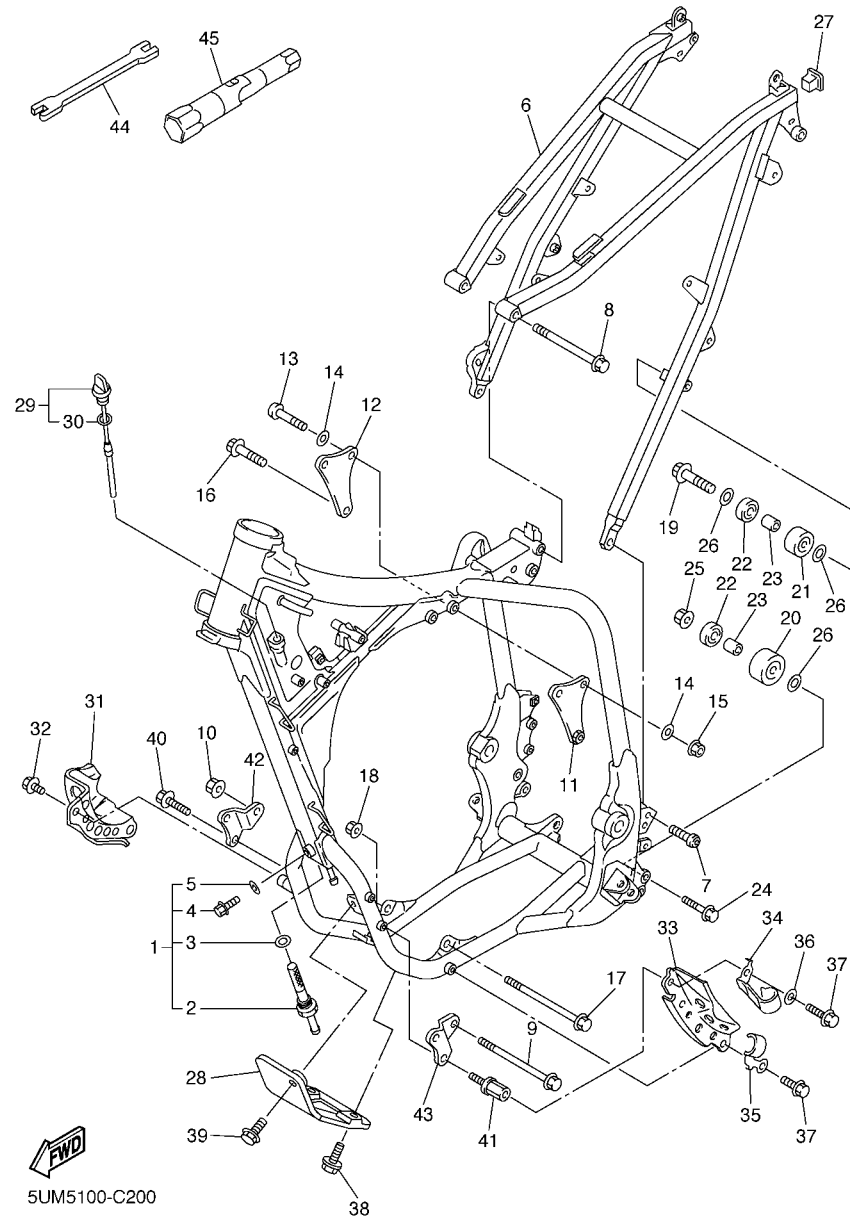
| REF. NO. | PART NO. | DESCRIPTION | SUM5 | SUM6 | SUM7 | REMARKS |
|----------|--------------|---------------------|------|------|------|---------|
| 1 | 4EW-18185-00 | SEGMENT | 1 | 1 | 1 | |
| 2 | 3XJ-18173-00 | PIN, SHIFT | 1 | 1 | 1 | |
| 3 | 5BE-18172-00 | GUIDE, SHIFT | 1 | 1 | 1 | |
| 4 | 90101-06664 | BOLT | 2 | 2 | 2 | |
| 5 | 5LP-18122-00 | LEVER, SHIFT 2 | 1 | 1 | 1 | |
| 6 | 90501-052G5 | SPRING, COMPRESSION | 2 | 2 | 2 | |
| 7 | 3XJ-18184-00 | PIN, PAWL | 2 | 2 | 2 | |
| 8 | 3XJ-18182-00 | PAWL, SHIFTER | 2 | 2 | 2 | |
| 9 | 3XJ-18178-00 | ROLLER, SHIFT LEVER | 1 | 1 | 1 | |
| 10 | 5UL-18101-00 | SHIFT SHAFT ASSY | 1 | 1 | 1 | |
| 11 | 90387-124F4 | COLLAR | 1 | 1 | 1 | |
| 12 | 90508-291A8 | SPRING, TORSION | 1 | 1 | 1 | |
| 13 | 93608-33002 | PIN, DOWEL | 1 | 1 | 1 | |
| 14 | 93102-12224 | OIL SEAL | 1 | 1 | 1 | |
| 15 | 5UL-18110-00 | SHIFT PEDAL ASSY | 1 | 1 | 1 | |
| 16 | 95027-06020 | BOLT, FLANGE | 1 | 1 | 1 | |
| | | | | | | |
| | | | | | | |
| | | | | | | |



5UM5100-C200

FIG. 20 FRAME

| REF. NO. | PART NO. | DESCRIPTION | 5UM5 | 5UM6 | 5UM7 | REMARKS |
|----------|--------------|---------------------------|------|------|------|---------|
| 1 | 5UM-21101-50 | FRONT FRAME COMP. | 1 | 1 | 1 | |
| 2 | 5TA-21756-00 | .NET, FILTER | 1 | 1 | 1 | |
| 3 | 90201-145M4 | .WASHER, PLATE | 1 | 1 | 1 | |
| 4 | 95827-08012 | .BOLT, FLANGE | 1 | 1 | 1 | |
| 5 | 90430-08119 | .GASKET | 1 | 1 | 1 | |
| 6 | 5TJ-21190-50 | REAR FRAME COMP. | 1 | 1 | 1 | |
| 7 | 90110-08096 | BOLT, HEXAGON SOCKET HEAD | 2 | 2 | 2 | |
| 8 | 90105-08120 | BOLT, FLANGE | 1 | 1 | 1 | |
| 9 | 90105-10072 | BOLT, FLANGE | 1 | 1 | 1 | |
| 10 | 90179-10658 | NUT | 1 | 1 | 1 | |
| 11 | 5NL-21425-00 | BRACKET, REAR UPPER 1 | 1 | 1 | 1 | |
| 12 | 5NL-21425-10 | BRACKET, REAR UPPER 1 | 1 | 1 | 1 | |
| 13 | 92017-08055 | BOLT, BUTTON HEAD | 2 | 2 | 2 | |
| 14 | 90201-086P8 | WASHER, PLATE | 4 | 4 | 4 | |
| 15 | 90179-08674 | NUT | 2 | 2 | 2 | |
| 16 | 95817-10050 | BOLT, FLANGE | 1 | 1 | 1 | |
| 17 | 90105-10733 | BOLT, FLANGE | 1 | 1 | 1 | |
| 18 | 90179-10658 | NUT | 1 | 1 | 1 | |
| 19 | 95027-08040 | BOLT, FLANGE | 1 | 1 | 1 | |
| 20 | 3JD-22178-10 | TENSIONER | 1 | 1 | 1 | |
| 21 | 4EW-22178-01 | TENSIONER | 1 | 1 | 1 | |
| 22 | 93300-60804 | BEARING | 2 | 2 | 2 | |
| 23 | 90387-086N4 | COLLAR | 2 | 2 | 2 | |
| 24 | 95027-08065 | BOLT, FLANGE | 1 | 1 | 1 | |
| 25 | 95707-08500 | NUT, FLANGE | 1 | 1 | 1 | |
| 26 | 90201-086P8 | WASHER, PLATE | 3 | 3 | 3 | |
| 27 | 90338-18176 | PLUG | 1 | 1 | 1 | |

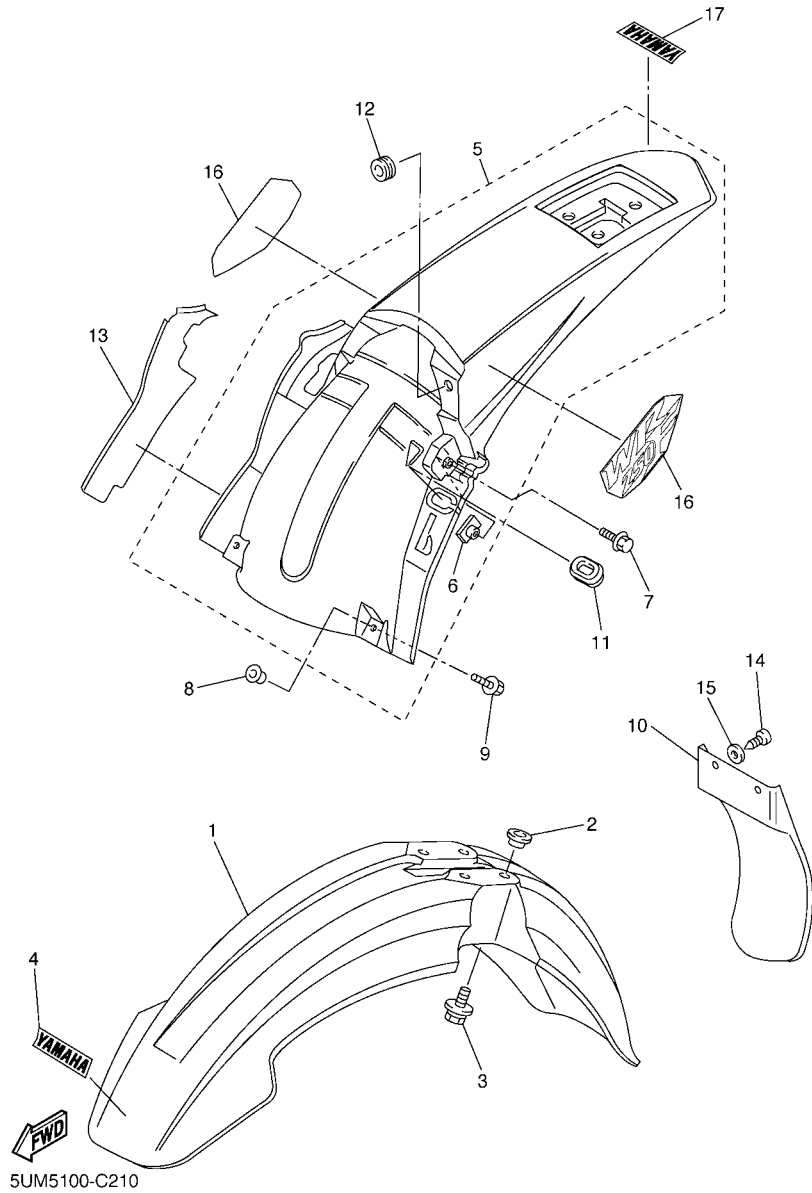


5UM5100-C200

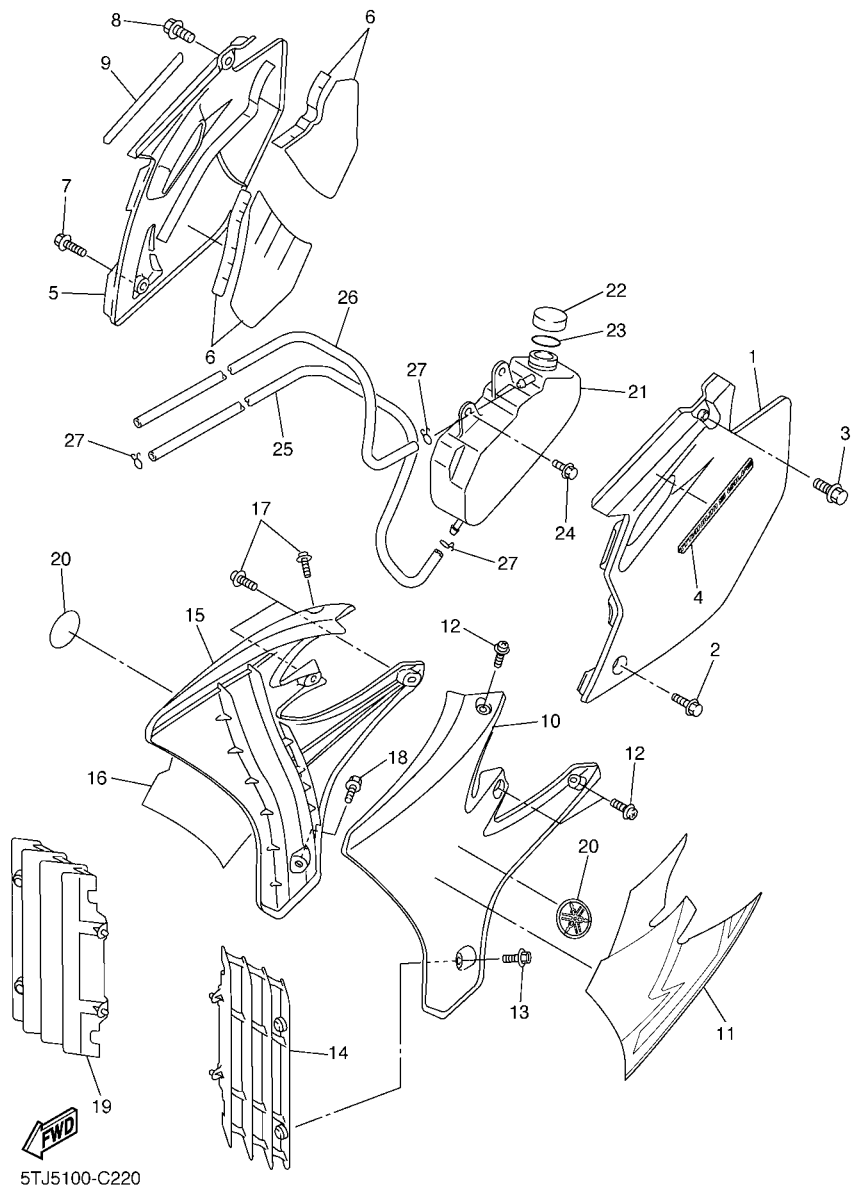
FIG. 20 FRAME

| REF. NO. | PART NO. | DESCRIPTION | 5UM5 | 5UM6 | 5UM7 | REMARKS |
|----------|--------------|-------------------------|------|------|------|---------|
| 28 | 5NL-21471-01 | PROTECTOR, ENGINE | 1 | 1 | 1 | |
| 29 | 5UM-15362-00 | PLUG, OIL LEVEL | 1 | 1 | 1 | |
| 30 | 93210-08001 | .O-RING | 1 | 1 | 1 | |
| 31 | 5NL-2147A-00 | GUARD, ENGINE 1 | 1 | 1 | 1 | |
| 32 | 95027-08016 | BOLT, FLANGE | 2 | 2 | 2 | |
| 33 | 5UM-2147A-00 | GUARD, ENGINE 1 | 1 | 1 | 1 | |
| 34 | 5TJ-21338-00 | CLAMP | 1 | 1 | 1 | |
| 35 | 5NG-21338-01 | CLAMP | 1 | 1 | 1 | |
| 36 | 90201-086P8 | WASHER, PLATE | 1 | 1 | 1 | |
| 37 | 95027-08016 | BOLT, FLANGE | 2 | 2 | 2 | |
| 38 | 95027-06012 | BOLT, FLANGE | 2 | 2 | 2 | |
| 39 | 90119-06001 | BOLT, WITH WASHER | 1 | 1 | 1 | |
| 40 | 95817-08016 | BOLT, FLANGE | 3 | 3 | 3 | |
| 41 | 5PH-21481-00 | BOLT, ENGINE MOUNTING 1 | 1 | 1 | 1 | |
| 42 | 5UL-21417-00 | BRACKET, FRONT LOWER 1 | 1 | 1 | 1 | |
| 43 | 5UL-21417-10 | BRACKET, FRONT LOWER 1 | 1 | 1 | 1 | |
| 44 | 5ET-28166-00 | WRENCH, HEXAGON | 1 | 1 | 1 | |
| 45 | 5TA-2814F-00 | BOX, SPARK PLUG | 1 | 1 | 1 | |
| | | | | | | |
| | | | | | | |
| | | | | | | |
| | | | | | | |

FIG. 21 FENDER



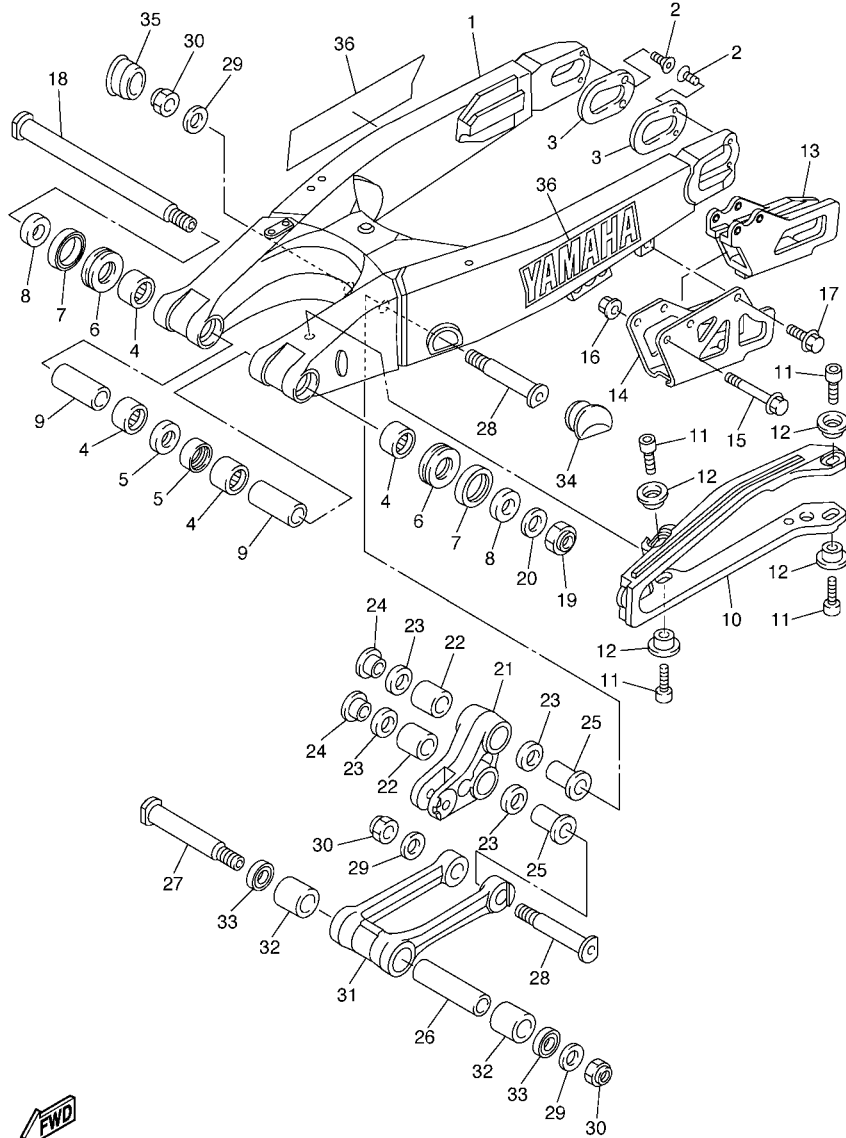
| REF. NO. | PART NO. | DESCRIPTION | SUM5 | SUM6 | SUM7 | REMARKS |
|----------|--------------|-------------------------|------|------|------|---------|
| 1 | 5HD-21511-00 | FENDER, FRONT | 1 | 1 | 1 | |
| 2 | 3JD-21748-00 | COLLAR | 4 | 4 | 4 | |
| 3 | 90119-06096 | BOLT, WITH WASHER | 4 | 4 | 4 | |
| 4 | 4ES-2153E-01 | EMBLEM, YAMAHA | 1 | 1 | 1 | |
| 5 | 5TJ-21610-50 | REAR FENDER COMP. | 1 | 1 | 1 | |
| 6 | 5XD-21635-00 | .NUT, REAR FENDER | 2 | 2 | 2 | |
| 7 | 90119-06192 | BOLT, WITH WASHER | 2 | 2 | 2 | |
| 8 | 90387-06009 | COLLAR | 2 | 2 | 2 | |
| 9 | 90119-06225 | BOLT, WITH WASHER | 2 | 2 | 2 | |
| 10 | 5TA-21642-00 | GUARD, FLAP | 1 | 1 | 1 | |
| 11 | 90480-01512 | GROMMET | 1 | 1 | 1 | |
| 12 | 90480-14532 | GROMMET | 1 | 1 | 1 | |
| 13 | 5TJ-2174T-00 | INSULATOR, SIDE COVER 2 | 1 | 1 | 1 | |
| 14 | 97707-60016 | SCREW, TAPPING | 2 | 2 | 2 | |
| 15 | 90201-06557 | WASHER, PLATE | 2 | 2 | 2 | |
| 16 | 5UM-2163G-50 | EMBLEM 1 | 2 | 2 | 2 | |
| 17 | 4ES-2153E-01 | EMBLEM, YAMAHA | 1 | 1 | 1 | |
| | | | | | | |
| | | | | | | |
| | | | | | | |



5TJ5100-C220

FIG. 22 SIDE COVER

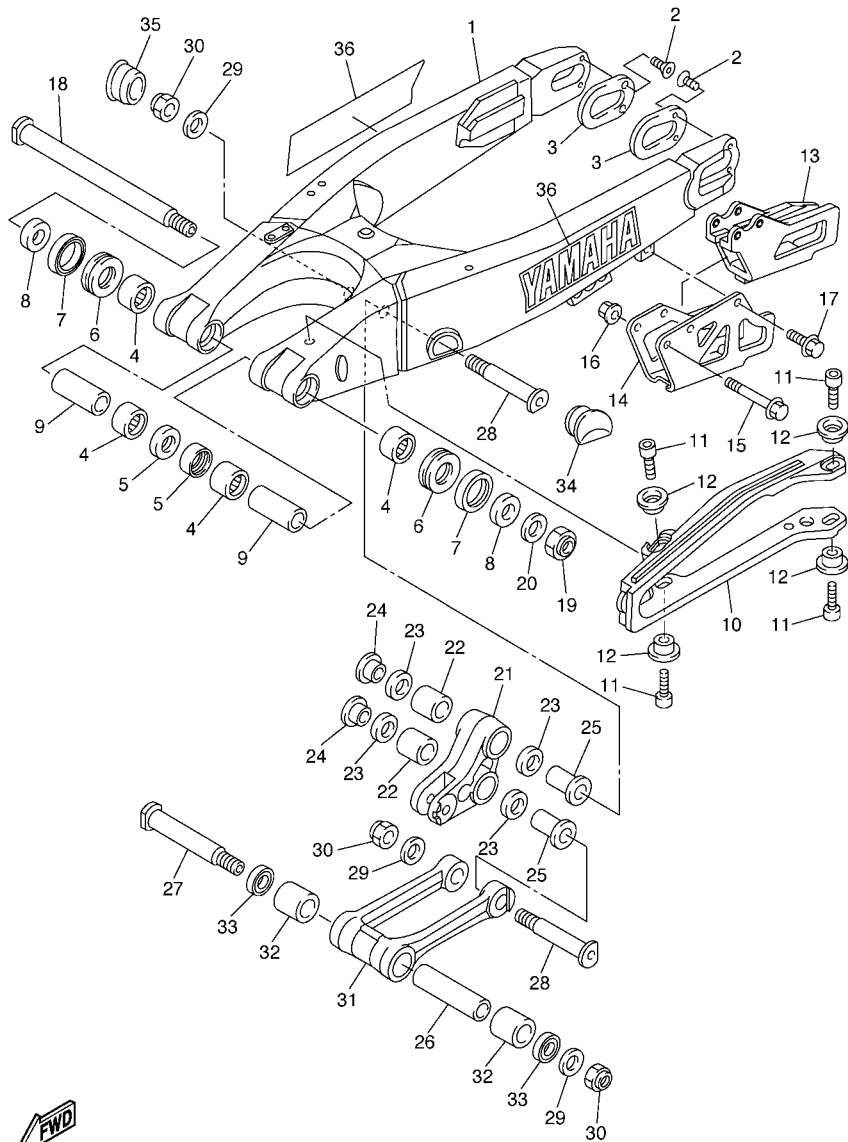
| REF. NO. | PART NO. | DESCRIPTION | SUM5 | SUM6 | SUM7 | REMARKS |
|----------|--------------|-----------------------|------|------|------|---------|
| 1 | 5TJ-21711-00 | COVER, SIDE 1 | 1 | 1 | 1 | |
| 2 | 95827-06016 | BOLT, FLANGE | 1 | 1 | 1 | |
| 3 | 90119-08238 | BOLT, WITH WASHER | 1 | 1 | 1 | |
| 4 | 5XD-21781-00 | EMBLEM 1 | 1 | 1 | 1 | |
| 5 | 5TJ-21721-00 | COVER, SIDE 2 | 1 | 1 | 1 | |
| 6 | 5TJ-2174A-00 | INSULATOR, SIDE COVER | 1 | 1 | 1 | |
| 7 | 95827-06016 | BOLT, FLANGE | 1 | 1 | 1 | |
| 8 | 90119-08238 | BOLT, WITH WASHER | 1 | 1 | 1 | |
| 9 | 5XD-21781-00 | EMBLEM 1 | 1 | 1 | 1 | |
| 10 | 5TJ-21730-00 | SIDE COVER ASSY 3 | 1 | 1 | 1 | |
| 11 | 5TJ-2173E-10 | GRAPHIC 1 | 1 | 1 | 1 | |
| 12 | 90159-06182 | SCREW, WITH WASHER | 3 | 3 | 3 | |
| 13 | 90159-06078 | SCREW, WITH WASHER | 1 | 1 | 1 | |
| 14 | 5PH-2172A-10 | PANEL 1 | 1 | 1 | 1 | |
| 15 | 5TJ-21740-00 | SIDE COVER ASSY 4 | 1 | 1 | 1 | |
| 16 | 5TJ-2173F-10 | GRAPHIC 2 | 1 | 1 | 1 | |
| 17 | 90159-06182 | SCREW, WITH WASHER | 3 | 3 | 3 | |
| 18 | 90159-06078 | SCREW, WITH WASHER | 1 | 1 | 1 | |
| 19 | 5PH-2172A-10 | PANEL 1 | 1 | 1 | 1 | |
| 20 | 5MV-2175C-00 | TUNING FORK MARK | 2 | 2 | 2 | |
| 21 | 5GS-21871-00 | TANK, RECOVERY | 1 | 1 | 1 | |
| 22 | 26H-21875-00 | CAP | 1 | 1 | 1 | |
| 23 | 26H-21874-00 | GASKET | 1 | 1 | 1 | |
| 24 | 90119-06051 | BOLT, WITH WASHER | 2 | 2 | 2 | |
| 25 | 91A20-05140 | TUBE, FLEXIBLE VINYL | 1 | 1 | 1 | |
| 26 | 91A11-05125 | TUBE, FLEXIBLE | 1 | 1 | 1 | |
| 27 | 90467-09006 | CLIP | 3 | 3 | 3 | |



5XD1100-C220

FIG. 23 REAR ARM

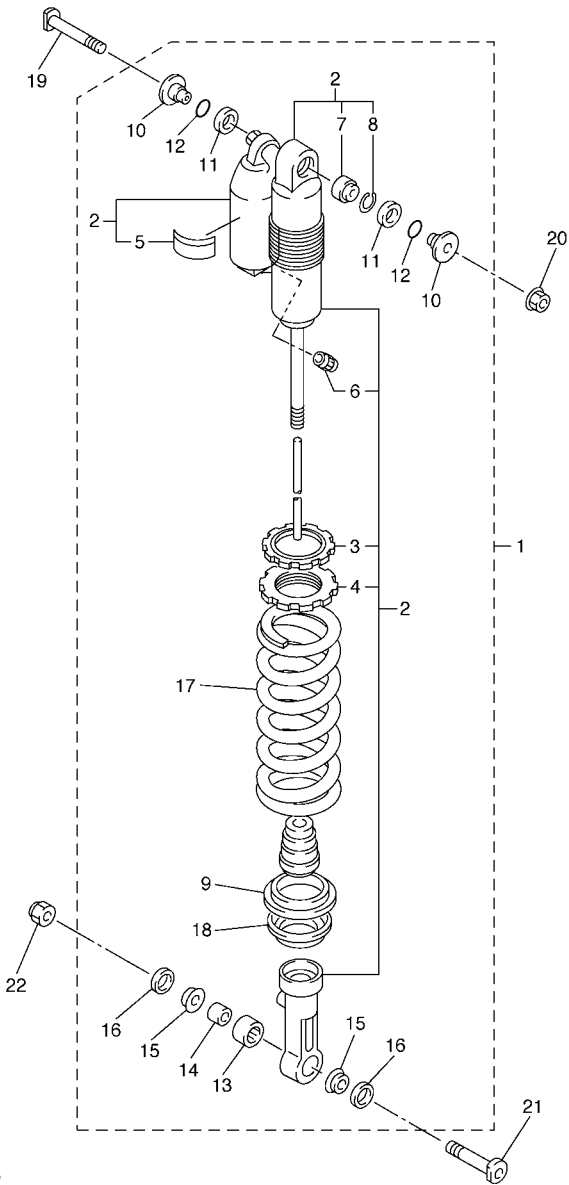
| REF. NO. | PART NO. | DESCRIPTION | SUM5 | SUM6 | SUM7 | REMARKS |
|----------|--------------|-----------------------|------|------|------|---------|
| 1 | 5UN-22110-00 | REAR ARM COMP. | 1 | 1 | 1 | |
| 2 | 90151-04001 | SCREW, COUNTERSUNK | 4 | 4 | 4 | |
| 3 | 5UN-22355-00 | PATCH | 2 | 2 | 2 | |
| 4 | 93317-22262 | BEARING | 4 | 4 | 4 | |
| 5 | 93106-22019 | OIL SEAL (DC 22-28-8) | 2 | 2 | 2 | |
| 6 | 93342-22217 | BEARING | 2 | 2 | 2 | |
| 7 | 93109-28043 | OIL SEAL | 2 | 2 | 2 | |
| 8 | 90387-18005 | COLLAR | 2 | 2 | 2 | |
| 9 | 90387-18004 | COLLAR | 2 | 2 | 2 | |
| 10 | 5UN-22151-00 | SEAL, GUARD | 1 | 1 | 1 | |
| 11 | 91317-05008 | BOLT | 4 | 4 | 4 | |
| 12 | 5JG-22156-00 | WASHER, PLATE | 4 | 4 | 4 | |
| 13 | 5UM-22199-00 | SUPPORT, CHAIN | 1 | 1 | 1 | |
| 14 | 5UM-22128-00 | COVER, THRUST 1 | 1 | 1 | 1 | |
| 15 | 95027-06050 | BOLT, FLANGE | 2 | 2 | 2 | |
| 16 | 90179-06568 | NUT | 2 | 2 | 2 | |
| 17 | 95027-06010 | BOLT, FLANGE | 1 | 1 | 1 | |
| 18 | 5NY-22141-01 | SHAFT, PIVOT | 1 | 1 | 1 | |
| 19 | 90185-16127 | NUT, SELF-LOCKING | 1 | 1 | 1 | |
| 20 | 90201-160F6 | WASHER, PLATE | 1 | 1 | 1 | |
| 21 | 5NY-2217A-00 | ARM, RELAY | 1 | 1 | 1 | |
| 22 | 93315-32056 | BEARING | 2 | 2 | 2 | |
| 23 | 93109-20076 | OIL SEAL | 4 | 4 | 4 | |
| 24 | 90387-16005 | COLLAR | 2 | 2 | 2 | |
| 25 | 90387-16007 | COLLAR | 2 | 2 | 2 | |
| 26 | 90387-167Y9 | COLLAR | 1 | 1 | 1 | |
| 27 | 5NY-22121-00 | SHAFT 1 | 1 | 1 | 1 | |



5XD1100-C220

FIG. 23 REAR ARM

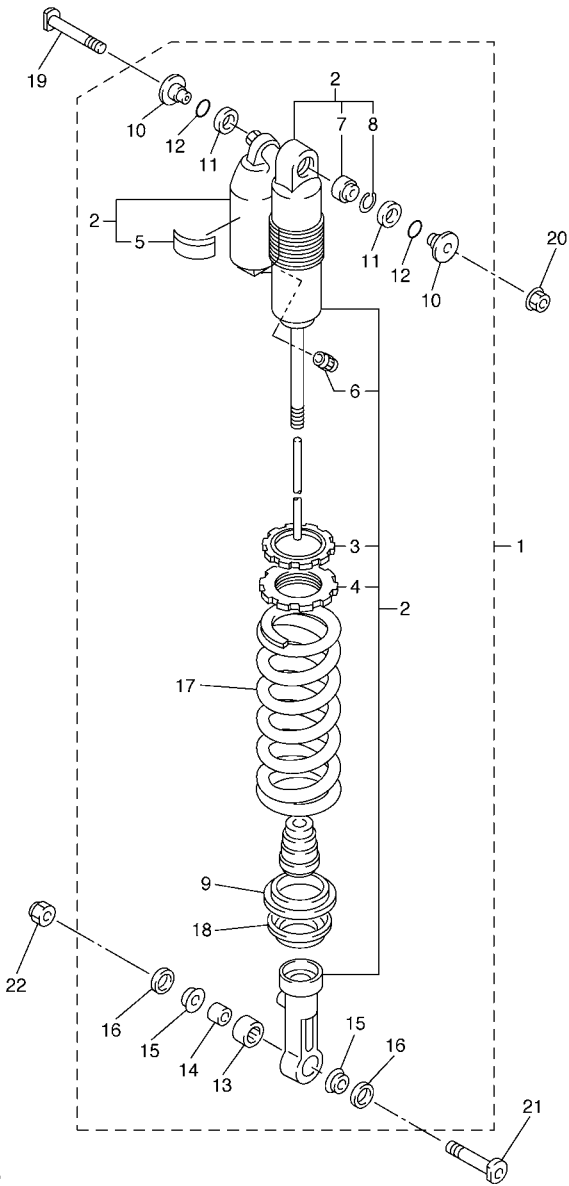
| REF. NO. | PART NO. | DESCRIPTION | SUM5 | SUM6 | SUM7 | REMARKS |
|----------|--------------|-------------------|------|------|------|---------|
| 28 | 5XE-22122-00 | SHAFT 2 | 2 | 2 | 2 | |
| 29 | 90201-14740 | WASHER, PLATE | 3 | 3 | 3 | |
| 30 | 90185-14007 | NUT, SELF-LOCKING | 3 | 3 | 3 | |
| 31 | 5XE-2217F-00 | ROD, CONNECTING 1 | 1 | 1 | 1 | |
| 32 | 93315-32053 | BEARING | 2 | 2 | 2 | |
| 33 | 93109-20076 | OIL SEAL | 2 | 2 | 2 | |
| 34 | 5XE-2135F-00 | COVER | 1 | 1 | 1 | |
| 35 | 5HD-2135F-00 | COVER | 1 | 1 | 1 | |
| 36 | 5UN-2153A-00 | EMBLEM, YAMAHA | 2 | 2 | 2 | |
| | | | | | | |
| | | | | | | |
| | | | | | | |
| | | | | | | |
| | | | | | | |



5XD1100-C230

FIG. 24 REAR SUSPENSION

| REF. NO. | PART NO. | DESCRIPTION | SUM5 | SUM6 | SUM7 | REMARKS |
|----------|--------------|------------------------------|------|------|------|----------------|
| 1 | 5UM-22210-50 | SHOCK ABSORBER ASSY, REAR | 1 | | | |
| | 5UM-22210-60 | SHOCK ABSORBER ASSY, REAR | | 1 | | |
| | 5UM-22210-80 | SHOCK ABSORBER ASSY, REAR | | | 1 | UR FOR OCE,ZAF |
| | 5UM-22210-70 | SHOCK ABSORBER ASSY, REAR | | | 1 | UR FOR CAN |
| 2 | 5UM-22201-50 | .DAMPER SUB ASSY | 1 | | | |
| | 5UM-22201-60 | .DAMPER SUB ASSY | | 1 | | |
| | 5UM-22201-80 | .DAMPER SUB ASSY | | | 1 | UR FOR OCE,ZAF |
| | 5UM-22201-70 | .DAMPER SUB ASSY | | | 1 | UR FOR CAN |
| 3 | 3SP-22234-00 | ..GUIDE, SPRING 3 | 1 | 1 | 1 | |
| 4 | 3SP-22213-00 | ..SEAT, SPRING UPPER | 1 | 1 | 1 | |
| 5 | 4AA-22259-80 | ..LABEL, WARNING | 1 | | | |
| | 4AA-22259-40 | ..LABEL, WARNING | | 1 | 1 | UR FOR OCE,ZAF |
| | 4AA-22259-60 | ..LABEL, WARNING | | | 1 | UR FOR CAN |
| 6 | 509-23184-L0 | ..CAP, AIR VALVE | 1 | 1 | 1 | |
| 7 | 4JX-22226-00 | ..BUSH, SHOCK ABSORBER LOWER | 1 | 1 | 1 | |
| 8 | 5DH-23183-00 | ..CIRCLIP | 1 | 1 | 1 | |
| 9 | 5MV-22224-00 | .GUIDE, SPRING 2 | 1 | 1 | 1 | |
| 10 | 5DH-22253-00 | .COLLAR, DISTANCE | 2 | 2 | 2 | |
| 11 | 3JE-22475-00 | .SEAL, DUST | 2 | 2 | 2 | |
| 12 | 4EW-22474-00 | .SEAL, RING | 2 | 2 | 2 | |
| 13 | 5UN-22176-00 | .BEARING | 1 | 1 | 1 | |
| 14 | 5MV-22184-00 | .BUSH | 1 | 1 | 1 | |
| 15 | 5MV-22253-00 | .COLLAR, DISTANCE | 2 | 2 | 2 | |
| | 5NY-22475-00 | .SEAL, DUST | 2 | 2 | 2 | |
| 17 | 5UN-22212-40 | .SPRING (K=50N/MM) | 1 | | 1 | |
| | 5UN-22212-20 | .SPRING (K=46N/MM) | | 1 | | |
| 18 | 5XE-22214-00 | .GUIDE, SPRING 1 | 1 | 1 | 1 | |

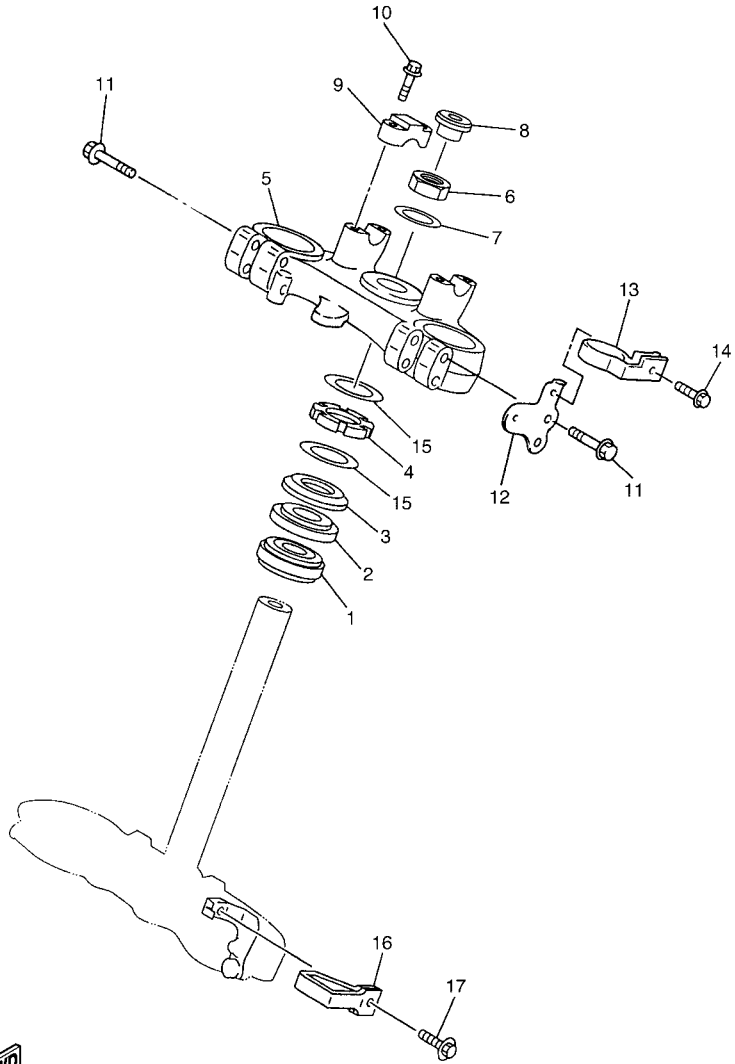


FWD
5XD1100-C230

FIG. 24 REAR SUSPENSION

| REF. NO. | PART NO. | DESCRIPTION | SUM5 | SUM6 | SUM7 | REMARKS |
|----------|--------------|-------------------|------|------|------|---------|
| 19 | 5XE-22242-00 | BOLT 2 | 1 | 1 | 1 | |
| 20 | 95607-10200 | NUT, SELF-LOCKING | 1 | 1 | 1 | |
| 21 | 5NY-22241-00 | BOLT 1 | 1 | 1 | 1 | |
| 22 | 90185-10060 | NUT, SELF-LOCKING | 1 | 1 | 1 | |
| ----- | | | | | | |
| ----- | | | | | | |
| ----- | | | | | | |
| ----- | | | | | | |
| ----- | | | | | | |
| ----- | | | | | | |
| ----- | | | | | | |
| ----- | | | | | | |
| ----- | | | | | | |
| ----- | | | | | | |

D10

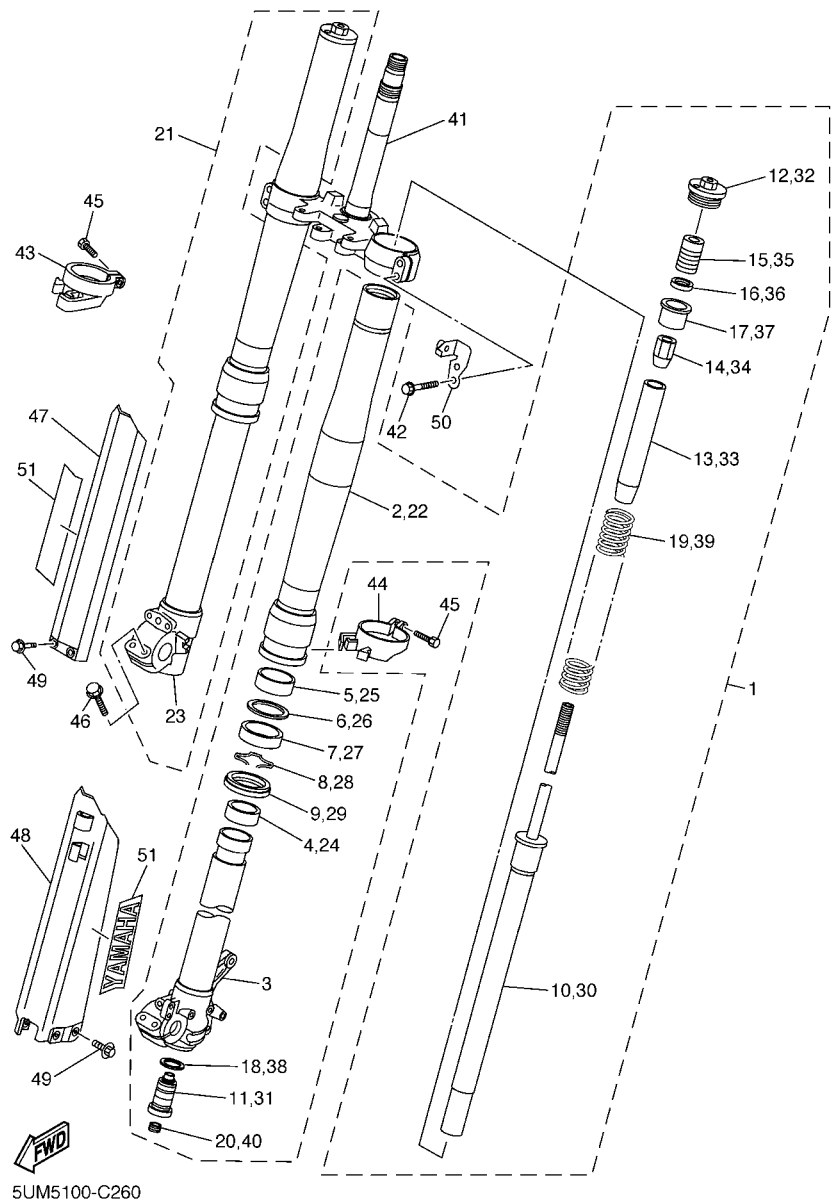


5TJ1100-B250

FIG. 25 STEERING

| REF. NO. | PART NO. | DESCRIPTION | SUM5 | SUM6 | SUM7 | REMARKS |
|----------|--------------|----------------------|------|------|------|---------|
| 1 | 93332-00081 | BEARING | 1 | 1 | 1 | |
| 2 | 93332-00068 | BEARING | 1 | 1 | 1 | |
| 3 | 4EW-23416-00 | COVER, BALL RACE 2 | 1 | 1 | 1 | |
| 4 | 90179-28650 | NUT | 1 | 1 | 1 | |
| 5 | 5PH-23435-10 | CROWN, HANDLE | 1 | 1 | 1 | |
| 6 | 90170-24373 | NUT | 1 | 1 | 1 | |
| 7 | 90201-247L2 | WASHER, PLATE | 1 | 1 | 1 | |
| 8 | 5TJ-2319U-00 | CAP | 1 | 1 | 1 | |
| 9 | 5XE-23441-00 | HOLDER, HANDLE UPPER | 2 | 2 | 2 | |
| 10 | 95027-08035 | BOLT, FLANGE | 4 | 4 | 4 | |
| 11 | 95027-08040 | BOLT, FLANGE | 4 | 4 | 4 | |
| 12 | 5TJ-2831V-00 | STAY, HEAD LIGHT 1 | 1 | 1 | 1 | |
| 13 | 4GY-23389-00 | GUIDE, CABLE | 1 | 1 | 1 | |
| 14 | 90105-05361 | BOLT, FLANGE | 1 | 1 | 1 | |
| 15 | 90201-286K9 | WASHER, PLATE | 2 | 2 | 2 | |
| 16 | 4DA-23389-00 | GUIDE, CABLE | 1 | 1 | 1 | |
| 17 | 90119-05071 | BOLT, WITH WASHER | 1 | 1 | 1 | |
| | | | | | | |
| | | | | | | |
| | | | | | | |

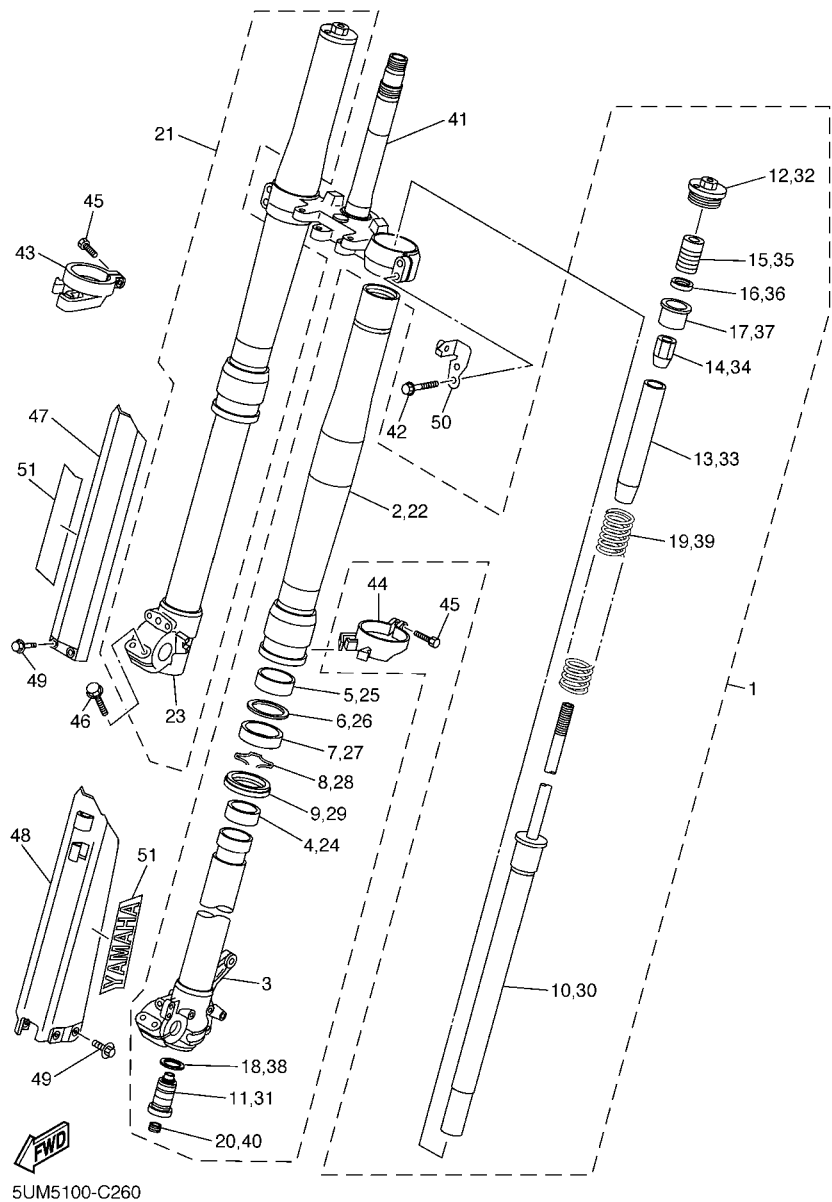
D11



5UM5100-C260

FIG. 26 FRONT FORK

| REF. NO. | PART NO. | DESCRIPTION | 5UM5 | 5UM6 | 5UM7 | REMARKS |
|----------|--------------|-------------------------------|------|------|------|-----------------|
| 1 | 5UM-23102-50 | FRONT FORK ASSY (L.H) | 1 | | 1 | FOR U49,CAN |
| | 5UM-23102-60 | FRONT FORK ASSY (L.H) | | 1 | | |
| | 5UM-23102-80 | FRONT FORK ASSY (L.H) | | | 1 | FOR OCE,ZAF |
| 2 | 5TJ-23136-50 | .TUBE, OUTER (RIGHT) | 1 | | 1 | |
| | 5TJ-23136-L0 | .TUBE, OUTER (RIGHT) | | 1 | | |
| 3 | 5DH-23120-L0 | .INNER TUBE COMP.2 | 1 | 1 | 1 | |
| 4 | 5ET-23171-L0 | .PISTON, FRONT FORK | 1 | 1 | 1 | |
| 5 | 5TJ-23125-50 | .METAL, SLIDE 1 | 1 | | 1 | |
| | 5TJ-23125-L0 | .METAL, SLIDE 1 | | 1 | | |
| 6 | 5UN-23146-L0 | .WASHER, OIL SEAL | 1 | 1 | 1 | |
| 7 | 5UN-23145-L0 | .OIL SEAL | 1 | 1 | 1 | |
| 8 | 4SS-23153-L0 | .RING, SNAP | 1 | 1 | 1 | |
| 9 | 5HD-23144-L0 | .SEAL, DUST | 1 | 1 | 1 | |
| 10 | 5TJ-23170-50 | .CYLINDER COMP., FRONT FORK | 1 | | 1 | FOR U49,CAN |
| | 5TJ-23170-60 | .CYLINDER COMP., FRONT FORK | | 1 | 1 | FOR EUR,OCE,ZAF |
| 11 | 5UM-2316A-50 | .VALVE COMP. | 1 | | 1 | FOR U49,CAN |
| | 5UM-2316A-60 | .VALVE COMP. | | 1 | 1 | FOR EUR,OCE,ZAF |
| 12 | 5UN-23111-L0 | .BOLT, CAP | 1 | 1 | 1 | |
| 13 | 5DH-23142-L0 | .SEAT, SPRING UPPER | 1 | 1 | 1 | |
| 14 | 5HD-23393-L0 | .NUT, SPECIAL | 1 | 1 | 1 | |
| 15 | 5MV-23195-L0 | .RUBBER | 1 | 1 | 1 | |
| 16 | 5DH-23149-L0 | .WASHER, SPRING UPPER | 1 | 1 | 1 | |
| 17 | 5DH-23118-L0 | .SPACER | 1 | 1 | 1 | |
| 18 | 4SS-23158-L0 | .GASKET | 1 | 1 | 1 | |
| 19 | 5NL-23141-00 | .SPRING,FRONT FORK(K=4.3N/MM) | 1 | | 1 | FOR U49,CAN |
| | 4SR-23141-L0 | .SPRING (K=4.12N/MM) | | 1 | | |
| | 4XL-23141-L0 | .SPRING (K=4.22N/MM) | | | 1 | FOR OCE,ZAF |

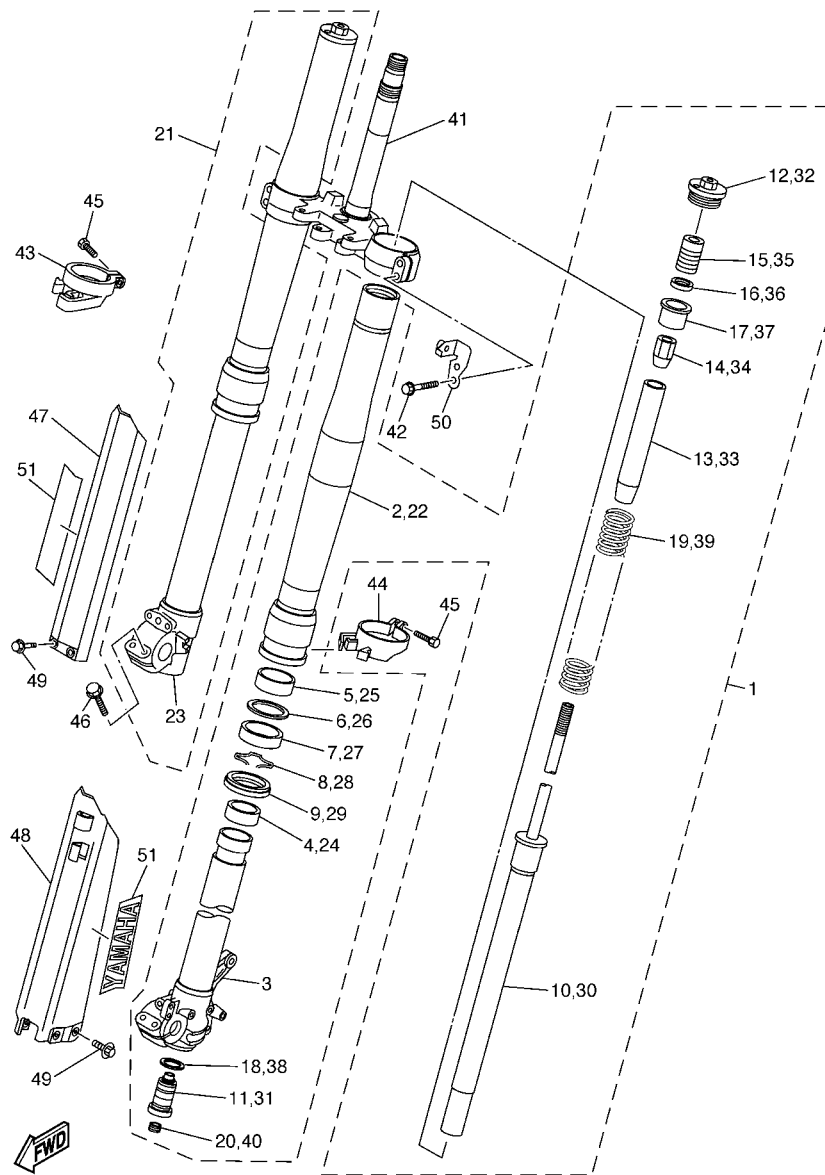


5UM5100-C260

FIG. 26 FRONT FORK

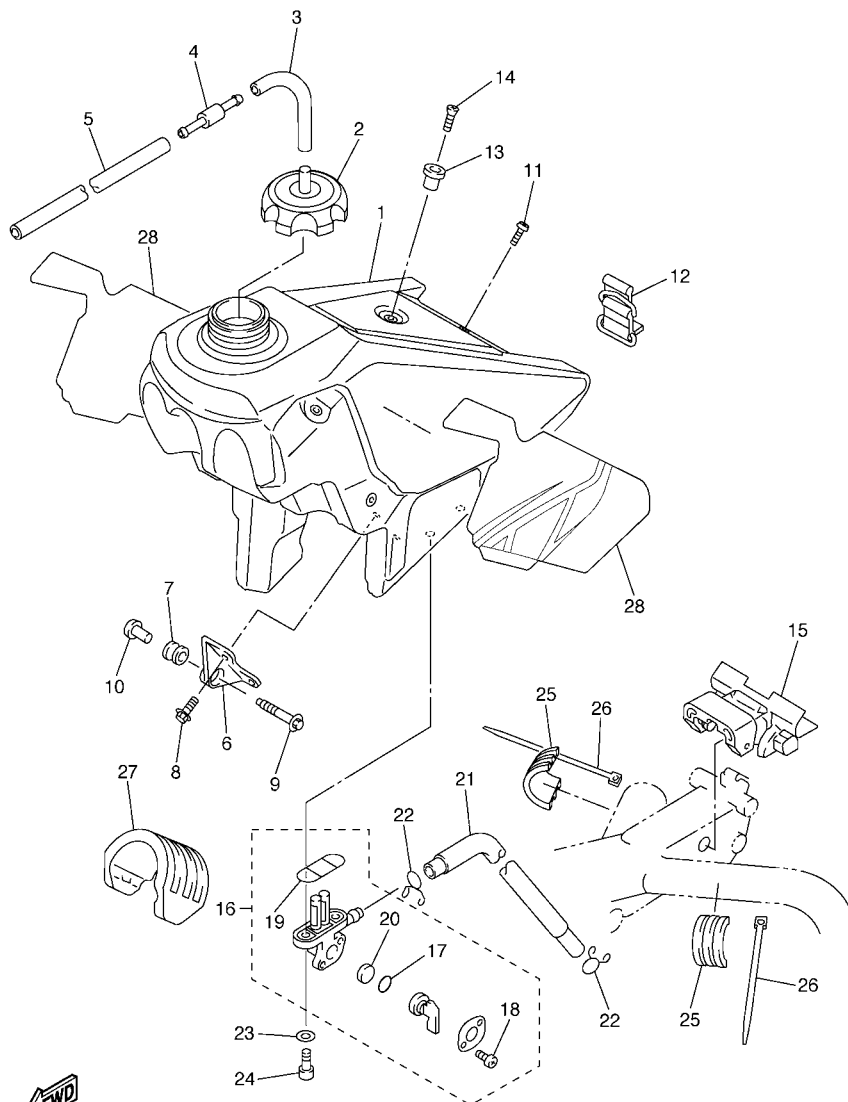
| REF. NO. | PART NO. | DESCRIPTION | 5UM5 | 5UM6 | 5UM7 | REMARKS |
|----------|--------------|-------------------------------|------|------|------|-----------------|
| 20 | 3JD-2312G-L0 | .PLUG | 1 | 1 | 1 | |
| 21 | 5UM-23103-50 | FRONT FORK ASSY (R.H) | 1 | 1 | | FOR U49,CAN |
| | 5UM-23103-60 | FRONT FORK ASSY (R.H) | | 1 | | |
| | 5UM-23103-80 | FRONT FORK ASSY (R.H) | | | 1 | FOR OCE,ZAF |
| 22 | 5TJ-23136-50 | .TUBE, OUTER (RIGHT) | 1 | 1 | | |
| | 5TJ-23136-L0 | .TUBE, OUTER (RIGHT) | | 1 | | |
| 23 | 5BF-23110-L0 | .INNER TUBE COMP.1 | 1 | 1 | 1 | |
| 24 | 5ET-23171-L0 | .PISTON, FRONT FORK | 1 | 1 | 1 | |
| 25 | 5TJ-23125-50 | .METAL, SLIDE 1 | 1 | 1 | | |
| | 5TJ-23125-L0 | .METAL, SLIDE 1 | | 1 | | |
| 26 | 5UN-23146-L0 | .WASHER, OIL SEAL | 1 | 1 | 1 | |
| 27 | 5UN-23145-L0 | .OIL SEAL | 1 | 1 | 1 | |
| 28 | 4SS-23153-L0 | .RING, SNAP | 1 | 1 | 1 | |
| 29 | 5HD-23144-L0 | .SEAL, DUST | 1 | 1 | 1 | |
| 30 | 5TJ-23170-50 | .CYLINDER COMP., FRONT FORK | 1 | 1 | | FOR U49,CAN |
| | 5TJ-23170-60 | .CYLINDER COMP., FRONT FORK | | 1 | 1 | FOR EUR,OCE,ZAF |
| 31 | 5UM-2316A-50 | .VALVE COMP. | 1 | 1 | | FOR U49,CAN |
| | 5UM-2316A-60 | .VALVE COMP. | | 1 | 1 | FOR EUR,OCE,ZAF |
| 32 | 5UN-23111-L0 | .BOLT, CAP | 1 | 1 | 1 | |
| 33 | 5DH-23142-L0 | .SEAT, SPRING UPPER | 1 | 1 | 1 | |
| 34 | 5HD-23393-L0 | .NUT, SPECIAL | 1 | 1 | 1 | |
| 35 | 5MV-23195-L0 | .RUBBER | 1 | 1 | 1 | |
| 36 | 5DH-23149-L0 | .WASHER, SPRING UPPER | 1 | 1 | 1 | |
| 37 | 5DH-23118-L0 | .SPACER | 1 | 1 | 1 | |
| 38 | 4SS-23158-L0 | .GASKET | 1 | 1 | 1 | |
| 39 | 5NL-23141-00 | .SPRING,FRONT FORK(K=4.3N/MM) | 1 | 1 | 1 | FOR U49,CAN |
| | 4SR-23141-L0 | .SPRING (K=4.12N/MM) | | 1 | | |

FIG. 26 FRONT FORK



5UM5100-C260

| REF. NO. | PART NO. | DESCRIPTION | SUM5 | SUM6 | SUM7 | REMARKS |
|----------|--------------|--------------------------|------|------|------|-------------|
| 39 | 4XL-23141-L0 | .SPRING (K=4.22N/MM) | | | 1 | FOR OCE,ZAF |
| 40 | 3JD-2312G-L0 | .PLUG | 1 | 1 | 1 | |
| 41 | 5UL-23340-L0 | UNDER BRACKET COMP. | 1 | 1 | 1 | |
| 42 | 5NY-23346-L0 | BOLT 1 | 4 | 4 | 4 | |
| 43 | 5XE-2314G-L0 | PROTECTOR GUIDE COMP., 2 | 1 | 1 | 1 | |
| 44 | 5XE-2314F-L0 | PROTECTOR GUIDE COMP., 1 | 1 | 1 | 1 | |
| 45 | 4SS-23346-L0 | BOLT 1 | 2 | 2 | 2 | |
| 46 | 95027-08040 | BOLT, FLANGE | 4 | 4 | 4 | |
| 47 | 5TJ-2314J-00 | PROTECTOR COMP., 2 | 1 | 1 | 1 | |
| 48 | 5TA-2314H-00 | PROTECTOR COMP., 1 | 1 | 1 | 1 | |
| 49 | 3SP-23356-L0 | BOLT 2 | 6 | 6 | 6 | |
| 50 | 5HC-2331E-00 | GUIDE, CABLE | 1 | 1 | 1 | |
| 51 | 4XL-2153A-10 | EMBLEM, YAMAHA | 2 | 2 | 2 | |

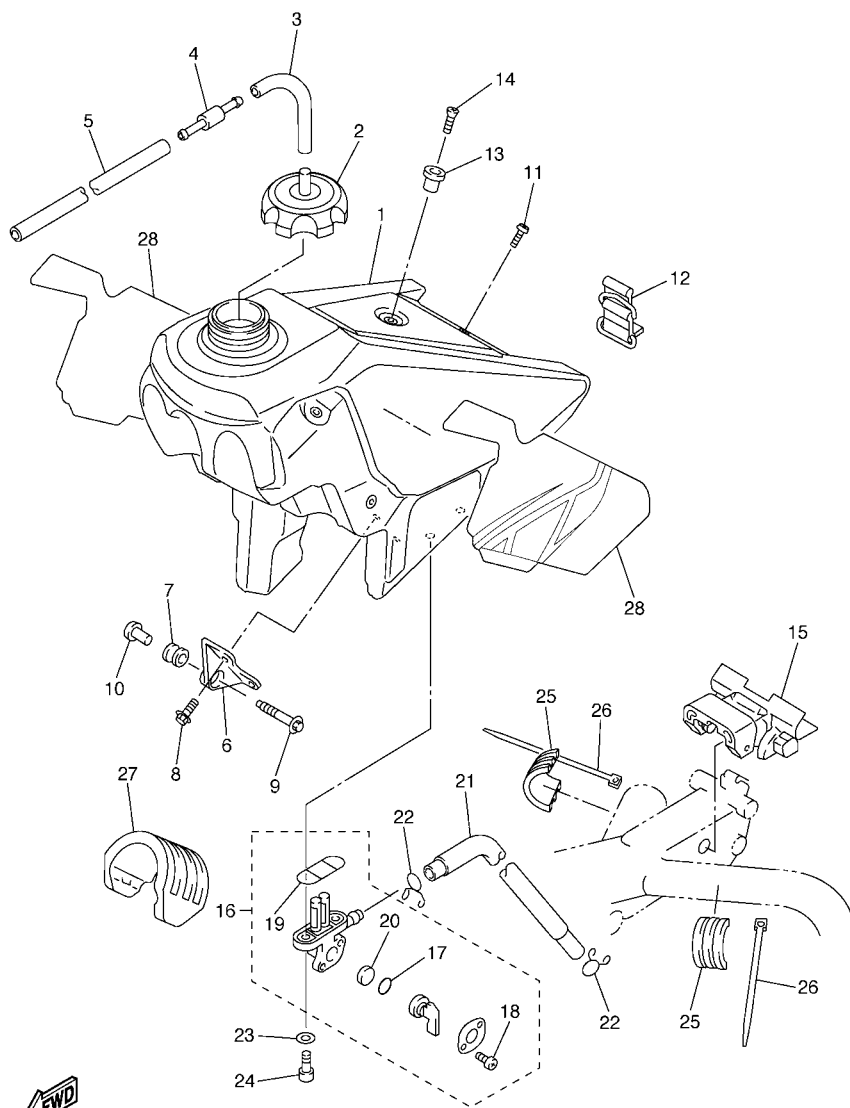


5TJ5100-C270

FIG. 27 FUEL TANK

| REF. NO. | PART NO. | DESCRIPTION | SUM5 | SUM6 | SUM7 | REMARKS |
|----------|--------------|----------------------|------|------|------|---------|
| 1 | 5TJ-24110-50 | FUEL TANK COMP. | 1 | 1 | 1 | |
| 2 | 5NY-24610-00 | CAP ASSY | 1 | 1 | 1 | |
| 3 | 90445-09220 | HOSE (L30) | 1 | 1 | 1 | |
| 4 | 3XJ-24380-00 | PIPE JOINT ASSY | 1 | 1 | 1 | |
| 5 | 90445-09100 | HOSE | 1 | 1 | 1 | |
| 6 | 5XE-24144-00 | HOLDER, DAMPER | 2 | 2 | 2 | |
| 7 | 90480-18549 | GROMMET | 2 | 2 | 2 | |
| 8 | 95027-06016 | BOLT, FLANGE | 4 | 4 | 4 | |
| 9 | 5XE-24176-00 | BOLT 1 | 2 | 2 | 2 | |
| 10 | 5NY-24186-00 | WASHER, SPECIAL | 2 | 2 | 2 | |
| 11 | 98907-06025 | SCREW, BIND | 1 | 1 | 1 | |
| 12 | 5SF-24173-00 | BAND, TANK FITTING 1 | 1 | 1 | 1 | |
| 13 | 4EW-2412F-00 | BRACKET, SEAT | 1 | 1 | 1 | |
| 14 | 98707-06025 | SCREW, FLAT HEAD | 1 | 1 | 1 | |
| 15 | 5TJ-24181-00 | DAMPER, LOCATING 1 | 1 | 1 | 1 | |
| 16 | 2GU-24500-01 | FUEL COCK ASSY 1 | 1 | 1 | 1 | |
| 17 | 3AJ-24534-00 | .SEAL, COCK | 1 | 1 | 1 | |
| 18 | 97801-03008 | .SCREW, PAN HEAD | 2 | 2 | 2 | |
| 19 | 4X8-24512-00 | .O-RING | 1 | 1 | 1 | |
| 20 | 3AJ-24523-00 | .VALVE PACKING | 1 | 1 | 1 | |
| 21 | 90445-11185 | HOSE | 1 | 1 | 1 | |
| 22 | 90467-10008 | CLIP | 2 | 2 | 2 | |
| 23 | 90202-05193 | WASHER, PLATE | 2 | 2 | 2 | |
| 24 | 90149-06011 | SCREW | 2 | 2 | 2 | |
| 25 | 5NY-24183-00 | DAMPER, LOCATING 3 | 2 | 2 | 2 | |
| 26 | 90465-13152 | CLAMP | 2 | 2 | 2 | |
| 27 | 5BE-24182-00 | DAMPER, LOCATING 2 | 1 | 1 | 1 | |

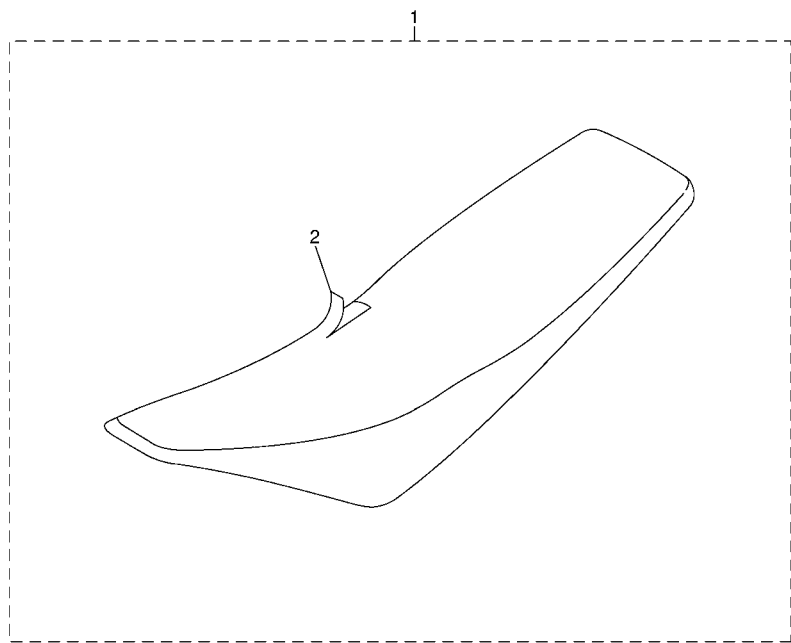
FIG. 27 FUEL TANK



5TJ5100-C270

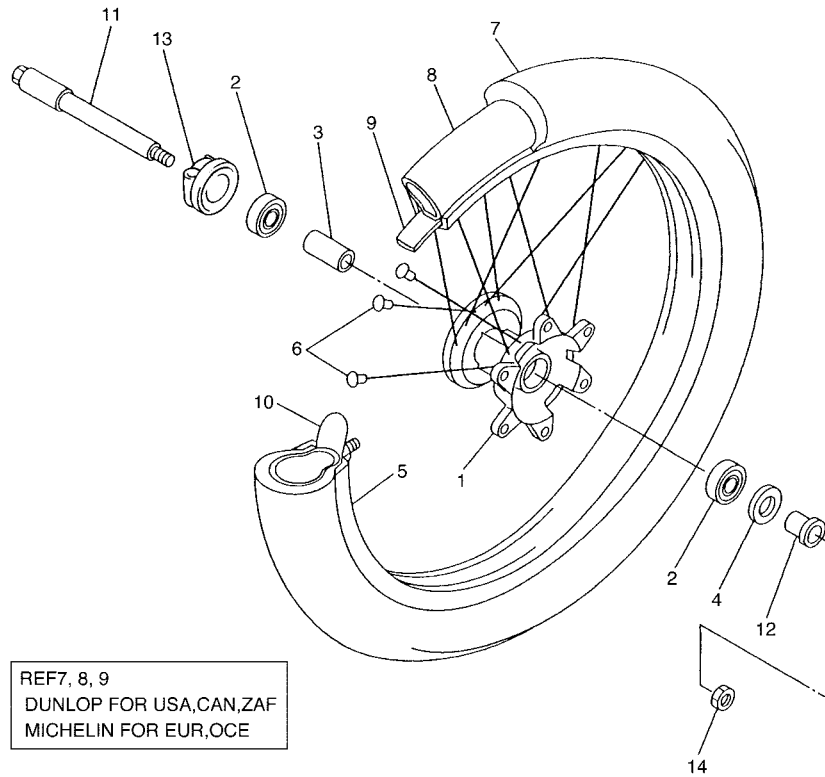
| REF. NO. | PART NO. | DESCRIPTION | SUM5 | SUM6 | SUM7 | REMARKS |
|----------|--------------|-------------|------|------|------|---------|
| 28 | 5TJ-24240-10 | GRAPHIC SET | 1 | 1 | 1 | |
| | | | | | | |
| | | | | | | |
| | | | | | | |
| | | | | | | |
| | | | | | | |
| | | | | | | |
| | | | | | | |
| | | | | | | |
| | | | | | | |

FIG. 28 SEAT



| REF. NO. | PART NO. | DESCRIPTION | SUM5 | SUM6 | SUM7 | REMARKS |
|----------|--------------|-------------------|------|------|------|---------|
| 1 | 5TJ-24710-50 | SINGLE SEAT ASSY | 1 | 1 | 1 | |
| 2 | 5TJ-2470F-50 | .SEAT COVER COMP. | 1 | 1 | 1 | |
| | | | | | | |
| | | | | | | |
| | | | | | | |
| | | | | | | |
| | | | | | | |
| | | | | | | |
| | | | | | | |

FIG. 29 FRONT WHEEL

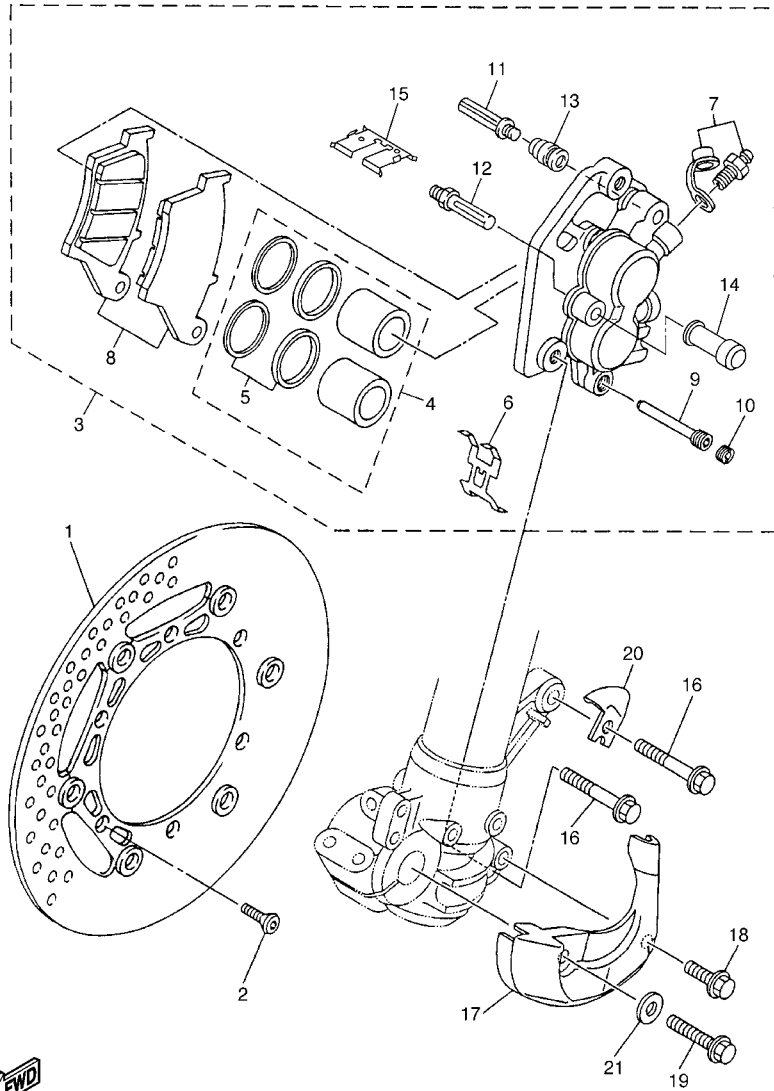


REF7, 8, 9
 DUNLOP FOR USA,CAN,ZAF
 MICHELIN FOR EUR,OCE

| REF. NO. | PART NO. | DESCRIPTION | SUM5 | SUM6 | SUM7 | REMARKS |
|----------|--------------|--------------------------------|------|------|------|-------------|
| 1 | 5NG-25111-50 | HUB, FRONT | 1 | 1 | 1 | |
| 2 | 93306-90403 | BEARING | 2 | 2 | 2 | |
| 3 | 5NY-25117-00 | SPACER, BEARING | 1 | 1 | 1 | |
| 4 | 93102-26468 | OIL SEAL | 1 | 1 | 1 | |
| 5 | 94416-21005 | RIM (1.60-21) | 1 | 1 | 1 | |
| 6 | 5NY-25104-00 | SPOKE SET, FRONT | 1 | 1 | 1 | |
| 7 | 94108-21015 | TIRE (80/100-21 51M D739FA) | 1 | 1 | | DUNLOP |
| | * | TIRE (90/90-21 M/C 54R ENDURO) | | 1 | 1 | LM MICHELIN |
| 8 | 94227-21101 | TUBE (80/100-21 M/C TR4) | 1 | 1 | | DUNLOP |
| | * | TUBE (90/90-21) | | 1 | 1 | LM MICHELIN |
| 9 | 94309-21161 | BAND, RIM (1.60-21) | 1 | 1 | | DUNLOP |
| | * | BAND, RIM (1.60-21) | | 1 | 1 | LM MICHELIN |
| 10 | 5SF-25394-00 | SPACER, BEAD | 1 | 1 | 1 | |
| 11 | 5BE-25181-00 | AXLE, WHEEL | 1 | 1 | 1 | |
| 12 | 5NY-25183-00 | COLLAR, WHEEL | 1 | 1 | 1 | |
| 13 | 5NG-25190-50 | GEAR UNIT ASSY | 1 | 1 | 1 | |
| 14 | 90179-16672 | NUT | 1 | 1 | 1 | |



5TJ1100-B290

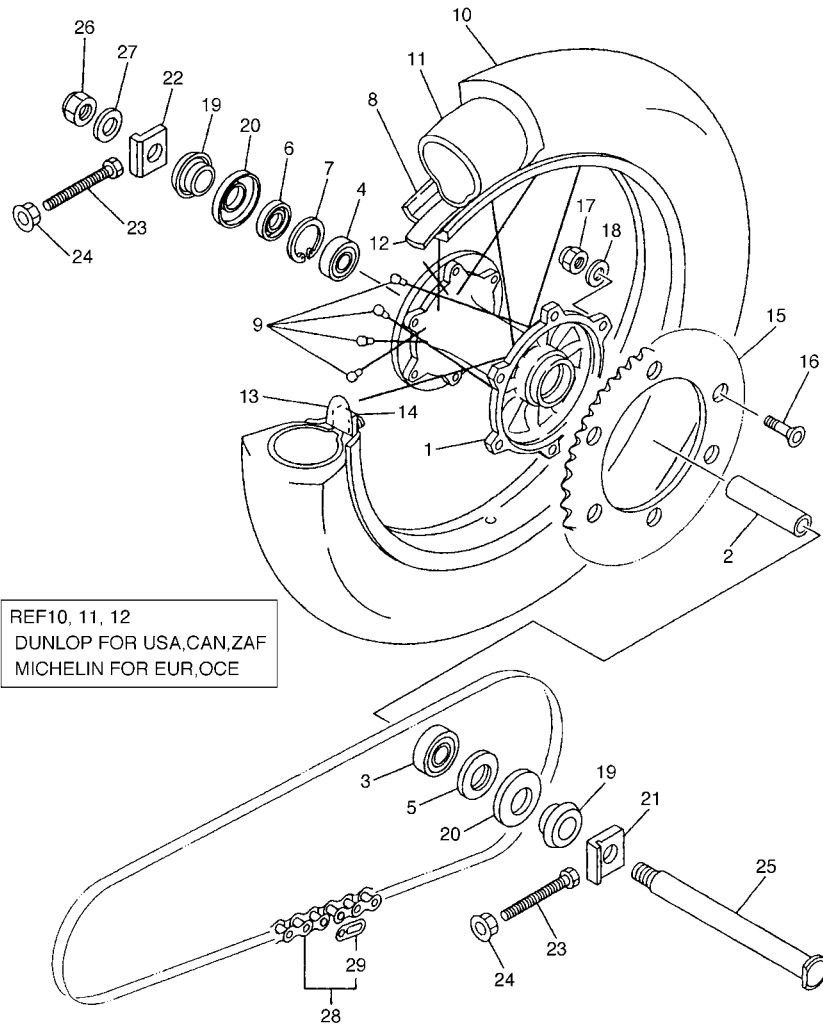


5XD1100-C290

FIG. 30 FRONT BRAKE CALIPER

| REF. NO. | PART NO. | DESCRIPTION | SUM5 | SUM6 | SUM7 | REMARKS |
|----------|--------------|-----------------------|------|------|------|---------|
| 1 | 5MV-2581T-00 | DISC BRAKE ASSY | 1 | 1 | 1 | |
| 2 | 90149-06327 | SCREW | 6 | 6 | 6 | |
| 3 | 5UN-2580T-00 | CALIPER ASSY (LEFT) | 1 | 1 | 1 | |
| 4 | 5UN-W0057-00 | .PISTON ASSY, CALIPER | 1 | 1 | 1 | |
| 5 | 3JD-W0047-00 | ..CALIPER SEAL KIT | 1 | 1 | 1 | |
| 6 | 5DH-25919-00 | .SUPPORT, PAD | 1 | 1 | 1 | |
| 7 | 1UY-W0048-50 | .BLEED SCREW KIT | 1 | 1 | 1 | |
| 8 | 5MV-W0045-01 | .BRAKE PAD KIT | 1 | 1 | 1 | |
| 9 | 5DH-25933-00 | .PIN, PAD | 1 | 1 | 1 | |
| 10 | 5DH-25916-00 | .PLUG | 1 | 1 | 1 | |
| 11 | 3SP-25926-51 | .BOLT | 1 | 1 | 1 | |
| 12 | 3SP-25914-51 | .PIN, SLIDE | 1 | 1 | 1 | |
| 13 | 3JD-25917-00 | .BOOT, CALIPER | 1 | 1 | 1 | |
| 14 | 1UY-25937-51 | .BOOT 2 | 1 | 1 | 1 | |
| 15 | 5DH-25849-00 | .RETAINER, CALIPER | 1 | 1 | 1 | |
| 16 | 90105-08659 | BOLT, FLANGE | 2 | 2 | 2 | |
| 17 | 5DH-2314E-00 | COVER, HOSE | 1 | 1 | 1 | |
| 18 | 95827-06012 | BOLT, FLANGE | 1 | 1 | 1 | |
| 19 | 95027-08020 | BOLT, FLANGE | 1 | 1 | 1 | |
| 20 | 5DH-25875-00 | HOLDER, BRAKE HOSE 1 | 1 | 1 | 1 | |
| 21 | 92907-08200 | WASHER | 1 | 1 | 1 | |

FIG. 31 REAR WHEEL



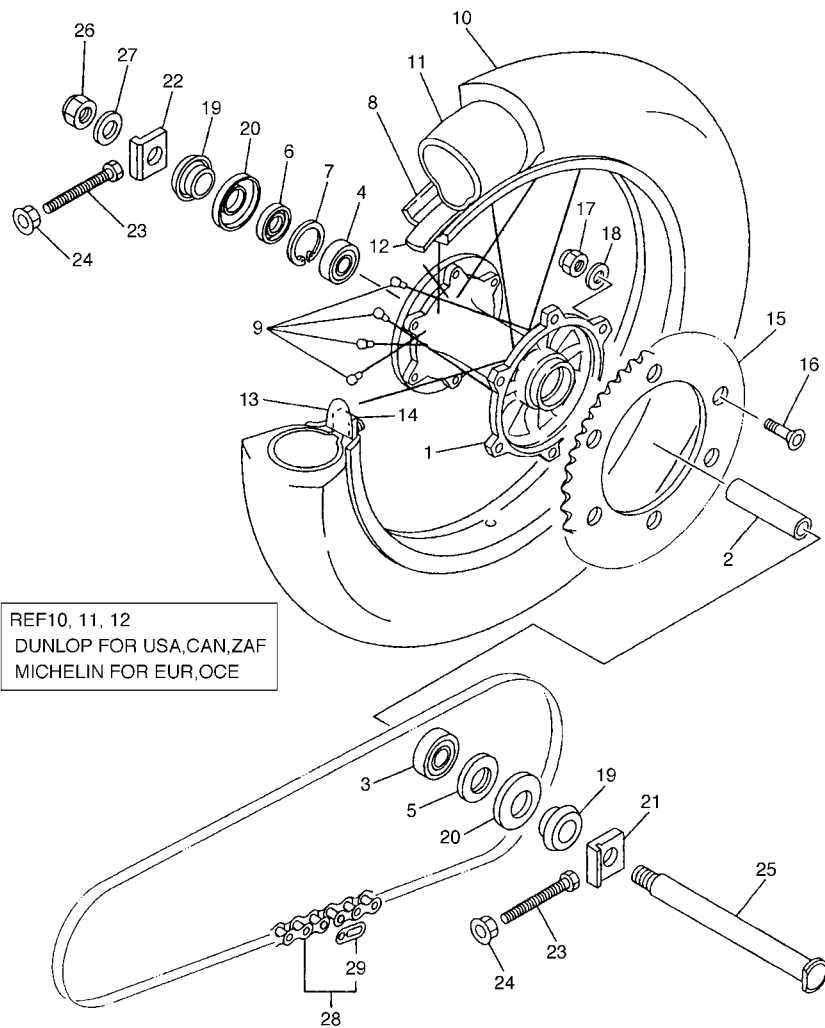
REF10, 11, 12
DUNLOP FOR USA,CAN,ZAF
MICHELIN FOR EUR,OCE



5TJ5100-C310

| REF. NO. | PART NO. | DESCRIPTION | SUM5 | SUM6 | SUM7 | REMARKS |
|----------|--------------|--------------------------------|------|------|------|-----------------|
| 1 | 5ET-25311-00 | HUB, REAR | 1 | 1 | 1 | |
| 2 | 5ET-25317-00 | SPACER, BEARING | 1 | 1 | 1 | |
| 3 | 93306-27205 | BEARING | 1 | 1 | 1 | |
| 4 | 93306-07202 | BEARING | 1 | 1 | 1 | |
| 5 | 93106-30001 | OIL SEAL | 1 | 1 | 1 | |
| 6 | 93106-30045 | OIL SEAL | 1 | 1 | 1 | |
| 7 | 99009-45500 | CIRCLIP | 1 | 1 | 1 | |
| 8 | 94418-18006 | RIM (1.85-18) | 1 | 1 | 1 | UR FOR CAN,ZAF |
| | 94421-18005 | RIM (2.15-18) | | 1 | 1 | UR FOR OCE |
| 9 | 5GS-25304-00 | SPOKE SET, REAR | 1 | 1 | 1 | |
| 10 | 94110-18008 | TIRE (100/100-18 59M D739) | 1 | 1 | 1 | DUNLOP |
| | * | TIRE(130/90-18 M/C 69R ENDURO) | | 1 | 1 | LM MICHELIN |
| 11 | 94211-18176 | TUBE (100/100-18 M/C TR4) | 1 | 1 | 1 | DUNLOP |
| | * | TUBE TIRE (130/90-18M/C) | | 1 | 1 | LM MICHELIN |
| 12 | 94309-18146 | BAND, RIM (2.15-18) | 1 | 1 | 1 | DUNLOP |
| | * | BAND, RIM (2.15-18) | | 1 | 1 | LM MICHELIN |
| 13 | 4XM-25394-00 | SPACER, BEAD | 2 | 2 | 2 | UR FOR CAN,ZAF |
| | 3JE-25394-00 | SPACER, BEAD | | 2 | 2 | UR FOR OCE |
| 14 | 4XM-25364-00 | DAMPER | 2 | 2 | 2 | |
| 15 | 5GS-25452-50 | SPROCKET, DRIVEN (52T) | 1 | 1 | 1 | STD FOR CAN,ZAF |
| | 5NY-25452-00 | SPROCKET, DRIVEN (52T) | | | 1 | STD FOR OCE |
| | 5GS-25448-50 | SPROCKET, DRIVEN (48T) | 1 | 1 | 1 | AP FOR CAN,ZAF |
| | 5NY-25448-00 | SPROCKET, DRIVEN (48T) | | | 1 | AP FOR OCE |
| | 5NY-25449-00 | SPROCKET, DRIVEN (49T) | | | 1 | AP FOR OCE |
| | 5GS-25450-50 | SPROCKET, DRIVEN (50T) | 1 | 1 | 1 | AP FOR CAN,ZAF |
| | 5NY-25450-00 | SPROCKET, DRIVEN (50T) | | | 1 | AP FOR OCE |
| | 5NY-25451-00 | SPROCKET, DRIVEN (51T) | | | 1 | AP FOR OCE |

FIG. 31 REAR WHEEL

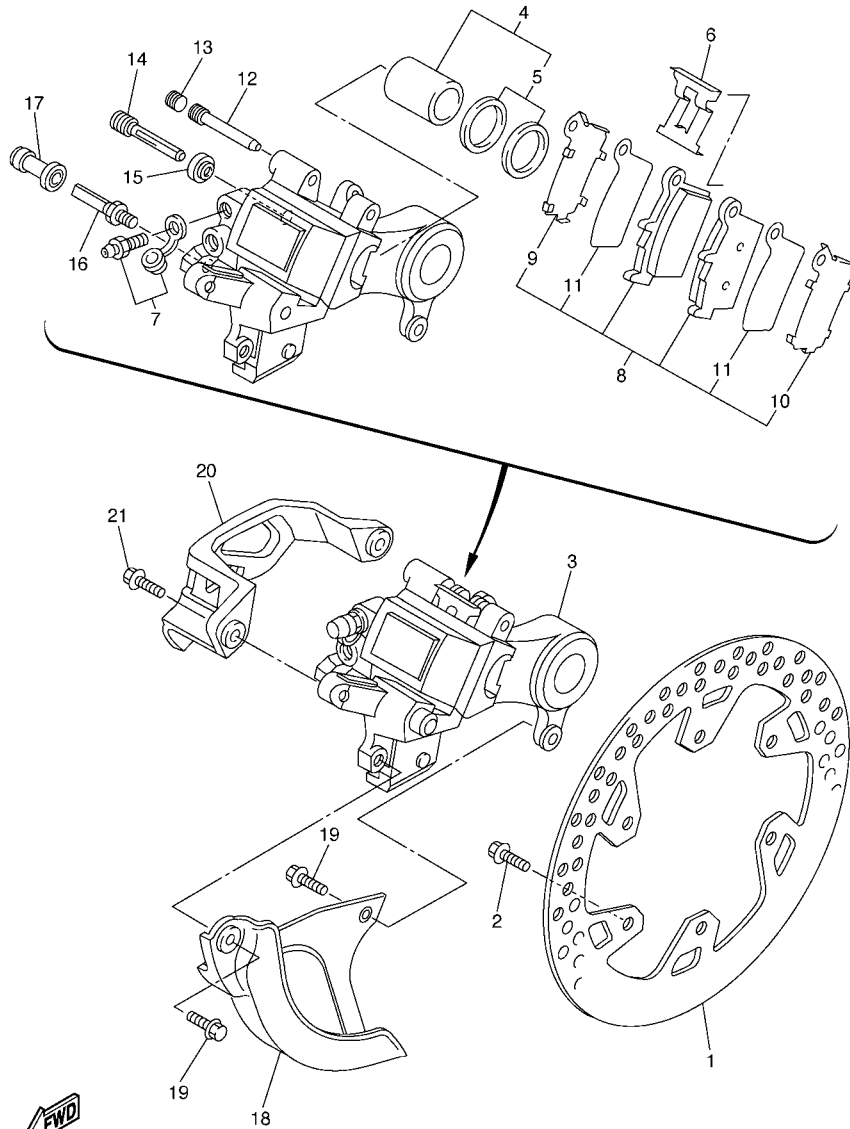


REF10, 11, 12
DUNLOP FOR USA,CAN,ZAF
MICHELIN FOR EUR,OCE



5TJ5100-C310

| REF. NO. | PART NO. | DESCRIPTION | SUM5 | SUM6 | SUM7 | REMARKS |
|----------|--------------|-------------------------|------|------|------|----------------|
| 15 | 5PH-25454-50 | SPROCKET, DRIVEN (54T) | 1 | 1 | 1 | AP FOR CAN,ZAF |
| 16 | 90109-081G1 | BOLT | 6 | 6 | 6 | |
| 17 | 90185-08169 | NUT, SELF-LOCKING | 6 | 6 | 6 | |
| 18 | 90201-08326 | WASHER, PLATE | 6 | 6 | 6 | |
| 19 | 5TJ-25383-50 | COLLAR, WHEEL | 2 | 2 | 2 | |
| 20 | 5ET-25367-00 | COVER, HUB DUST | 2 | 2 | 2 | |
| 21 | 5NY-25388-00 | PULLER, CHAIN 1 | 1 | 1 | 1 | |
| 22 | 5NY-25389-00 | PULLER, CHAIN 2 | 1 | 1 | 1 | |
| 23 | 90101-08777 | BOLT | 2 | 2 | 2 | |
| 24 | 90179-08299 | NUT | 2 | 2 | 2 | |
| 25 | 5ET-25381-00 | AXLE, WHEEL | 1 | 1 | 1 | |
| 26 | 90185-20168 | NUT, SELF-LOCKING | 1 | 1 | 1 | |
| 27 | 90201-203U1 | WASHER, PLATE | 1 | 1 | 1 | |
| 28 | 9Y58A-76113 | CHAIN (DID 520VM-114LL) | 1 | 1 | 1 | |
| 29 | 94681-76021 | .JOINT, CHAIN | 1 | 1 | 1 | |

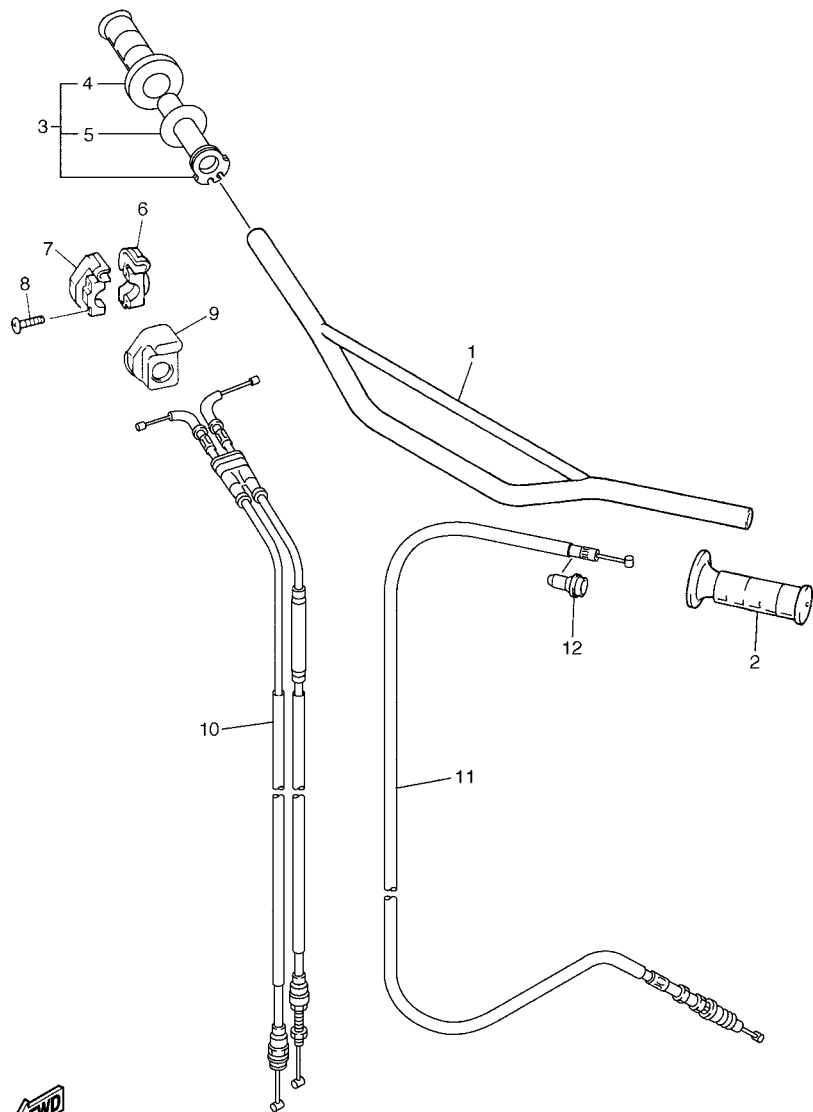


5XD1100-C310

FIG. 32 REAR BRAKE CALIPER

| REF. NO. | PART NO. | DESCRIPTION | SUM5 | SUM6 | SUM7 | REMARKS |
|----------|--------------|-----------------------|------|------|------|---------|
| 1 | 5NY-2582W-00 | DISK, REAR BRAKE 2 | 1 | 1 | 1 | |
| 2 | 90109-065G4 | BOLT | 6 | 6 | 6 | |
| 3 | 5UN-2580W-10 | CALIPER ASSY, REAR 2 | 1 | 1 | 1 | |
| 4 | 5UN-W0057-50 | .PISTON ASSY, CALIPER | 1 | 1 | 1 | |
| 5 | 5UN-W0047-50 | ..CALIPER SEAL KIT | 1 | 1 | 1 | |
| 6 | 5DH-25919-50 | ..SUPPORT, PAD | 1 | 1 | 1 | |
| 7 | 1UY-W0048-50 | .BLEED SCREW KIT | 1 | 1 | 1 | |
| 8 | 5UN-W0046-51 | .BRAKE PAD KIT 2 | 1 | 1 | 1 | |
| 9 | 5UN-25828-60 | ..SHIM, CALIPER | 1 | 1 | 1 | |
| 10 | 5UN-25827-60 | ..SHIM, CALIPER | 1 | 1 | 1 | |
| 11 | 5UN-22898-60 | ..INSULATOR, HEAT | 2 | 2 | 2 | |
| 12 | 8CR-25924-00 | .PIN, PAD | 1 | 1 | 1 | |
| 13 | 5DH-25916-00 | .PLUG | 1 | 1 | 1 | |
| 14 | 5DH-25914-50 | .PIN, SLIDE | 1 | 1 | 1 | |
| 15 | 3JD-25917-00 | .BOOT, CALIPER | 1 | 1 | 1 | |
| 16 | 5UN-25914-00 | .PIN, SLIDE | 1 | 1 | 1 | |
| 17 | 1UY-25937-51 | .BOOT 2 | 1 | 1 | 1 | |
| 18 | 5DH-25718-01 | PROTECTOR, DISK BRAKE | 1 | 1 | 1 | |
| 19 | 95027-06012 | BOLT, FLANGE | 2 | 2 | 2 | |
| 20 | 5TA-27491-00 | PROTECTOR | 1 | 1 | 1 | |
| 21 | 95027-06016 | BOLT, FLANGE | 2 | 2 | 2 | |

FIG. 33 STEERING HANDLE & CABLE



5UM1100-B330

| REF. NO. | PART NO. | DESCRIPTION | 5UM5 | 5UM6 | 5UM7 | REMARKS |
|----------|--------------|---------------------|------|------|------|---------|
| 1 | 4XM-26111-00 | HANDLEBAR | 1 | 1 | 1 | |
| 2 | 4GY-26241-00 | GRIP | 1 | 1 | 1 | |
| 3 | 5BE-26240-00 | GRIP ASSY | 1 | 1 | 1 | |
| 4 | 4GY-26242-00 | .GRIP (RIGHT) | 1 | 1 | 1 | |
| 5 | 3Y1-26249-00 | .RING, LEAF | 1 | 1 | 1 | |
| 6 | 5BE-26281-00 | CAP, GRIP UPPER | 1 | 1 | 1 | |
| 7 | 5BE-26282-00 | CAP, GRIP LOWER | 1 | 1 | 1 | |
| 8 | 98507-05020 | SCREW, PAN HEAD | 2 | 2 | 2 | |
| 9 | 5SF-26287-00 | COVER, CAP GRIP | 1 | 1 | 1 | |
| 10 | 5XD-26302-00 | THROTTLE CABLE ASSY | 1 | 1 | 1 | |
| 11 | 5UM-26335-00 | CABLE, CLUTCH | 1 | 1 | 1 | |
| 12 | 5HD-26342-00 | BOOT, CABLE | 1 | 1 | 1 | |
| | | | | | | |
| | | | | | | |
| | | | | | | |
| | | | | | | |
| | | | | | | |
| | | | | | | |

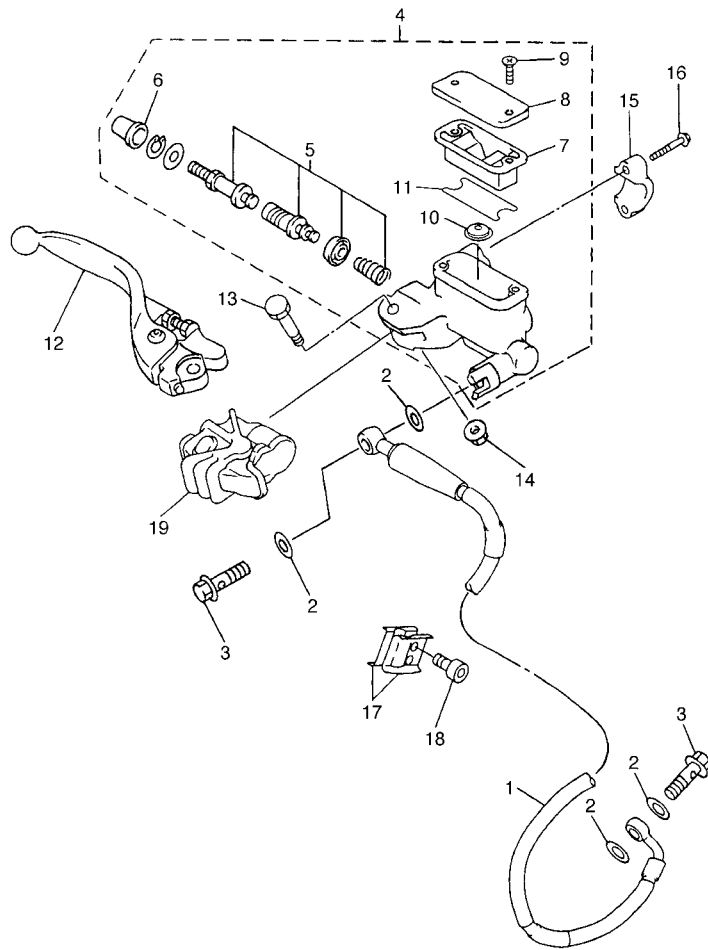


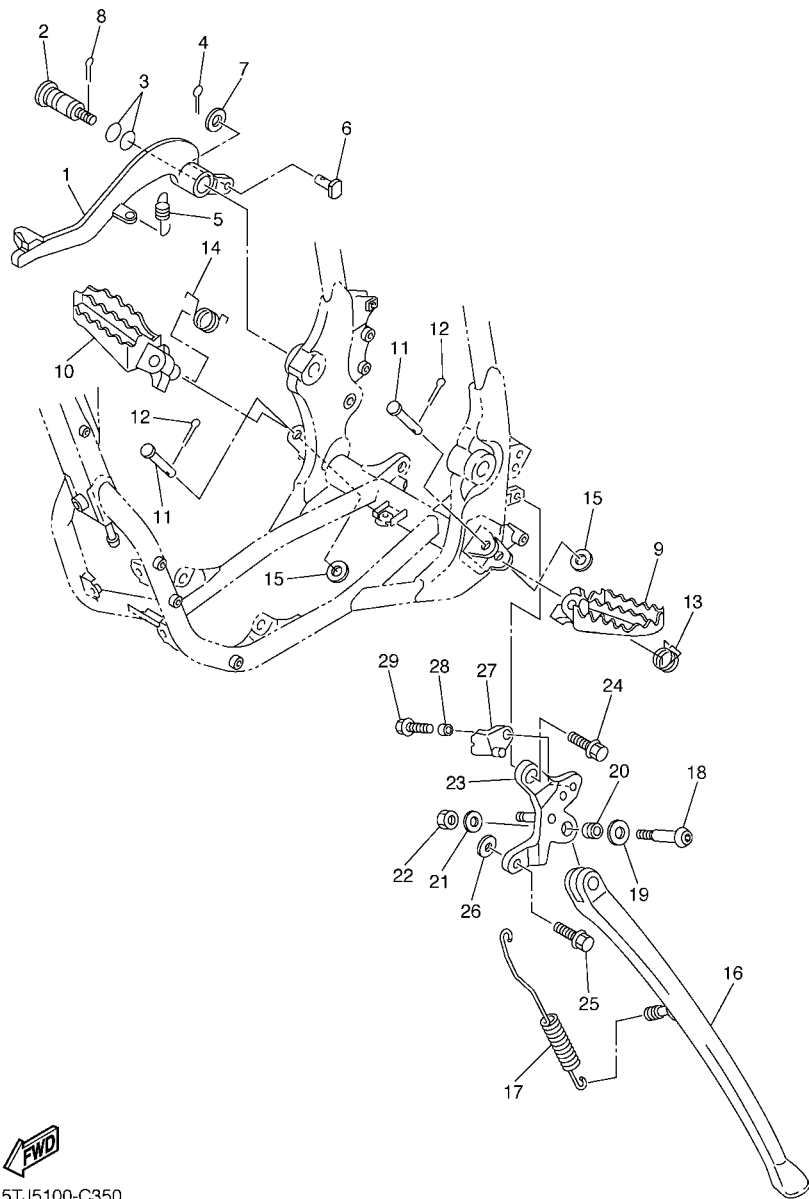
FIG. 34 FRONT MASTER CYLINDER

| REF. NO. | PART NO. | DESCRIPTION | SUM5 | SUM6 | SUM7 | REMARKS |
|----------|--------------|--------------------------|------|------|------|---------|
| 1 | 5TJ-25872-00 | HOSE, BRAKE 1 | 1 | 1 | 1 | |
| 2 | 90201-10118 | WASHER, PLATE | 4 | 4 | 4 | |
| 3 | 90401-10172 | BOLT, UNION | 2 | 2 | 2 | |
| 4 | 5XE-W2587-00 | MASTER CYLINDER SUB ASSY | 1 | 1 | 1 | |
| 5 | 5NY-W0041-00 | .CYLINDER KIT, MASTER | 1 | 1 | 1 | |
| 6 | 5NY-25868-00 | .BOOT, MASTER CYLINDER | 1 | 1 | 1 | |
| 7 | 5XE-25854-00 | .DIAPHRAGM, RESERVOIR | 1 | 1 | 1 | |
| 8 | 5MV-25852-01 | .CAP, RESERVOIR | 1 | 1 | 1 | |
| 9 | 98706-04012 | .SCREW, FLAT HEAD | 2 | 2 | 2 | |
| 10 | 5CG-25715-00 | .SEPARATOR ASSY | 1 | 1 | 1 | |
| 11 | 5XE-25853-00 | .FLOAT, RESERVOIR | 1 | 1 | 1 | |
| 12 | 5MV-83922-00 | LEVER 2 | 1 | 1 | 1 | |
| 13 | 5MV-2589F-00 | BOLT, LEVER | 1 | 1 | 1 | |
| 14 | 95701-06500 | NUT, FLANGE | 1 | 1 | 1 | |
| 15 | 5MV-25867-00 | BRACKET, MASTER CYLINDER | 1 | 1 | 1 | |
| 16 | 5MV-25833-00 | BOLT, FITTING | 2 | 2 | 2 | |
| 17 | 90465-16258 | CLAMP | 2 | 2 | 2 | |
| 18 | 91317-06014 | BOLT | 2 | 2 | 2 | |
| 19 | 5NY-26372-00 | COVER, HANDLE LEVER 1 | 1 | 1 | 1 | |
| | | | | | | |
| | | | | | | |
| | | | | | | |



5XD1100-C330

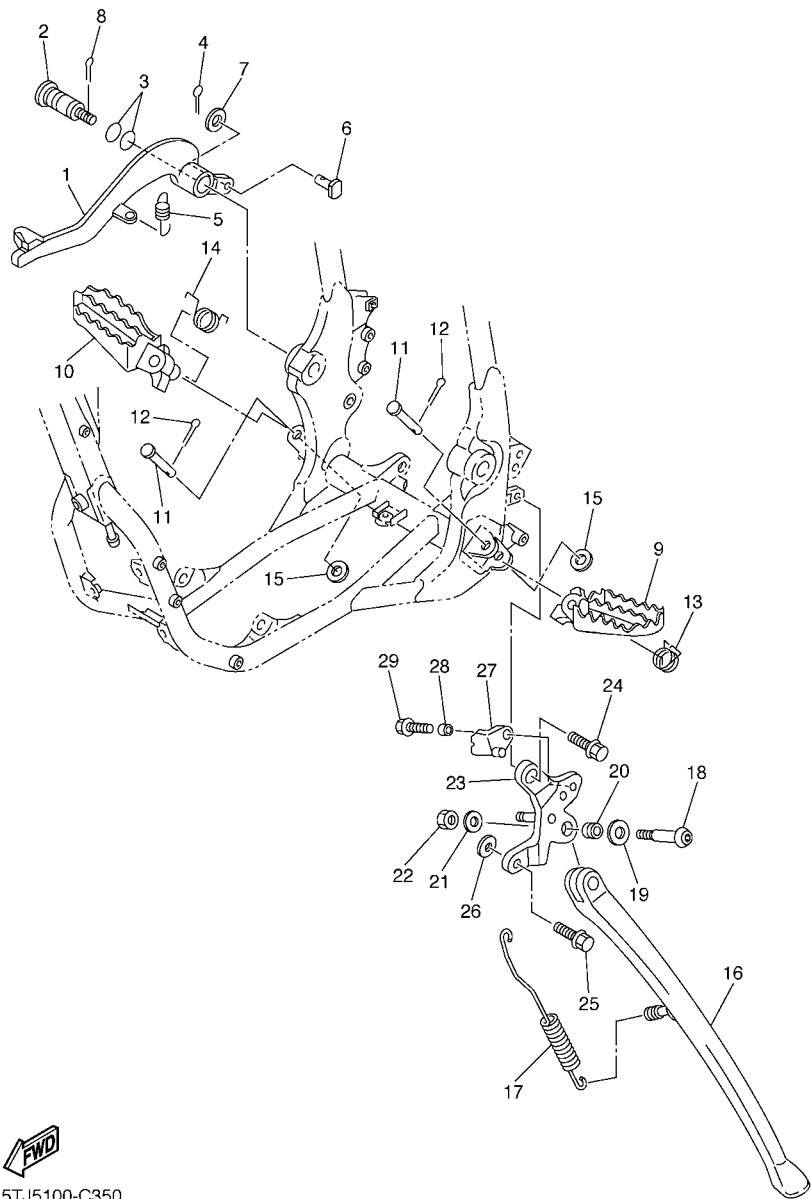
FIG. 35 STAND & FOOTREST



5TJ5100-C350

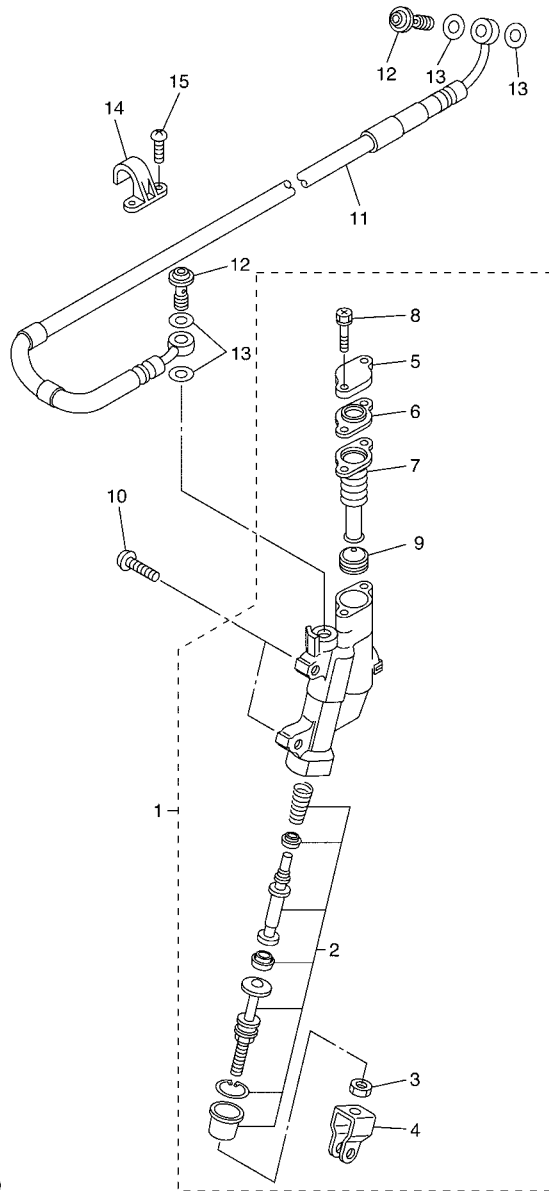
| REF. NO. | PART NO. | DESCRIPTION | SUM5 | SUM6 | SUM7 | REMARKS |
|----------|--------------|---------------------|------|------|------|---------|
| 1 | 4XM-27200-00 | PEDAL, BRAKE | 1 | 1 | 1 | |
| 2 | 5JG-27217-00 | BOLT | 1 | 1 | 1 | |
| 3 | 93210-11073 | O-RING | 2 | 2 | 2 | |
| 4 | 91401-20012 | PIN, COTTER | 1 | 1 | 1 | |
| 5 | 90506-16500 | SPRING, TENSION | 1 | 1 | 1 | |
| 6 | 90240-08120 | PIN, CLEVIS | 1 | 1 | 1 | |
| 7 | 90201-08089 | WASHER, PLATE | 1 | 1 | 1 | |
| 8 | 90468-16191 | CLIP | 1 | 1 | 1 | |
| 9 | 5ET-27411-00 | FOOTREST 1 | 1 | 1 | 1 | |
| 10 | 5ET-27421-00 | FOOTREST 2 | 1 | 1 | 1 | |
| 11 | 90240-10142 | PIN, CLEVIS | 2 | 2 | 2 | |
| 12 | 91401-25015 | PIN, COTTER | 2 | 2 | 2 | |
| 13 | 90508-282B8 | SPRING, TORSION | 1 | 1 | 1 | |
| 14 | 90508-282B9 | SPRING, TORSION | 1 | 1 | 1 | |
| 15 | 90201-10119 | WASHER, PLATE | 2 | 2 | 2 | |
| 16 | 5TJ-27311-50 | STAND, SIDE | 1 | 1 | 1 | |
| 17 | 90506-30002 | SPRING, TENSION | 1 | 1 | 1 | |
| 18 | 90109-08051 | BOLT | 1 | 1 | 1 | |
| 19 | 92990-10200 | WASHER, PLAIN | 1 | 1 | 1 | |
| 20 | 90387-1003G | COLLAR | 1 | 1 | 1 | |
| 21 | 92990-08200 | WASHER, PLAIN | 1 | 1 | 1 | |
| 22 | 90185-08055 | NUT, SELF-LOCKING | 1 | 1 | 1 | |
| 23 | 5TJ-21458-50 | BRACKET, SIDE STAND | 1 | 1 | 1 | |
| 24 | 95027-10020 | BOLT, FLANGE | 1 | 1 | 1 | |
| 25 | 95027-10030 | BOLT, FLANGE | 1 | 1 | 1 | |
| 26 | 90387-10019 | COLLAR | 1 | 1 | 1 | |
| 27 | 5TJ-27314-50 | STOPPER | 1 | 1 | 1 | |

FIG. 35 STAND & FOOTREST



5TJ5100-C350

| REF. NO. | PART NO. | DESCRIPTION | SUM5 | SUM6 | SUM7 | REMARKS |
|----------|-------------|--------------|------|------|------|---------|
| 28 | 90387-06M24 | COLLAR | 1 | 1 | 1 | |
| 29 | 95807-06016 | BOLT, FLANGE | 1 | 1 | 1 | |
| ----- | | | | | | |
| ----- | | | | | | |
| ----- | | | | | | |
| ----- | | | | | | |
| ----- | | | | | | |
| ----- | | | | | | |
| ----- | | | | | | |
| ----- | | | | | | |
| ----- | | | | | | |
| ----- | | | | | | |

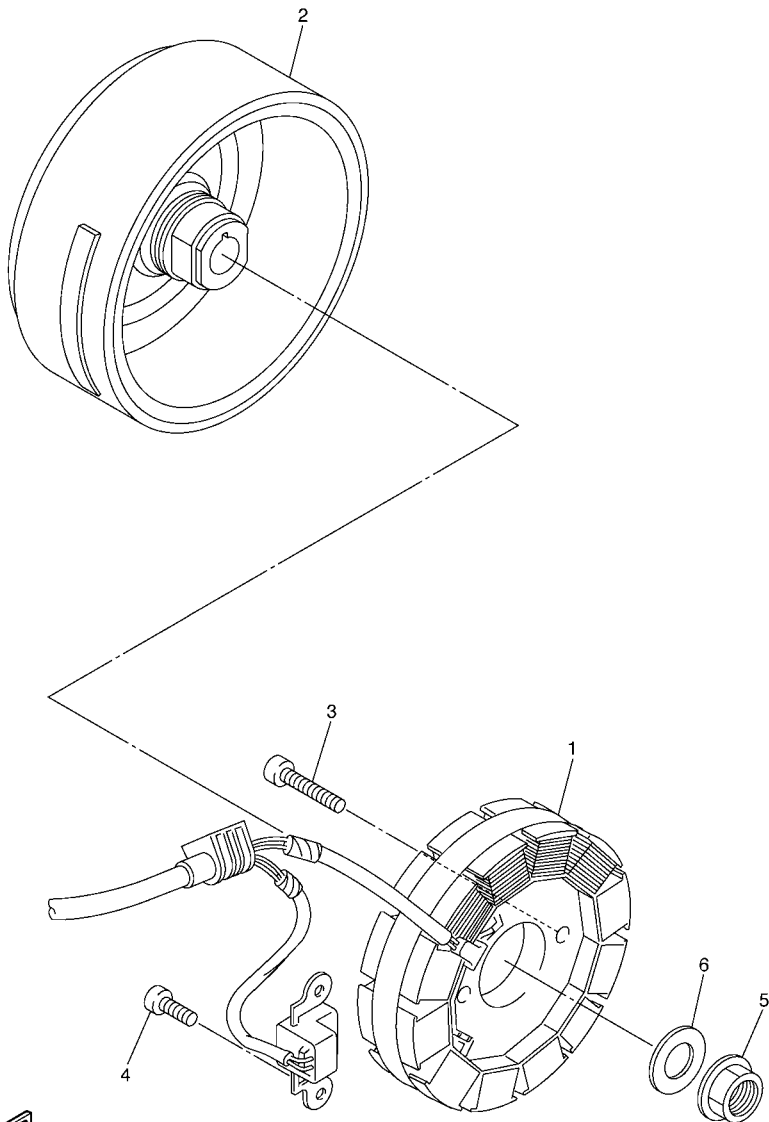


5TA1100-B350

FIG. 36 REAR MASTER CYLINDER

| REF. NO. | PART NO. | DESCRIPTION | SUM5 | SUM6 | SUM7 | REMARKS |
|----------|--------------|---------------------------|------|------|------|---------|
| 1 | 5UN-2583V-00 | RR. MASTER CYLINDER ASSY. | 1 | 1 | 1 | |
| 2 | 5UN-W0042-50 | .CYLINDER KIT, MASTER | 1 | 1 | 1 | |
| 3 | 5UN-27218-00 | .NUT | 1 | 1 | 1 | |
| 4 | 5UN-27222-00 | .JOINT | 1 | 1 | 1 | |
| 5 | 5UN-25852-50 | .CAP, RESERVOIR | 1 | 1 | 1 | |
| 6 | 5UN-2585B-00 | .PLATE, DIAPHRAGM | 1 | 1 | 1 | |
| 7 | 5UN-25854-00 | .DIAPHRAGM, RESERVOIR | 1 | 1 | 1 | |
| 8 | 5UN-27217-00 | .BOLT | 2 | 2 | 2 | |
| 9 | 5CG-25715-00 | .SEPARATOR ASSY | 1 | 1 | 1 | |
| 10 | 90111-06029 | BOLT | 2 | 2 | 2 | |
| 11 | 5UN-25873-00 | HOSE, BRAKE 2 | 1 | 1 | 1 | |
| 12 | 90401-10172 | BOLT, UNION | 2 | 2 | 2 | |
| 13 | 90201-10118 | WASHER, PLATE | 4 | 4 | 4 | |
| 14 | 2VM-25876-00 | HOLDER, BRAKE HOSE 2 | 2 | 2 | 2 | |
| 15 | 98507-05010 | SCREW, PAN HEAD | 4 | 4 | 4 | |

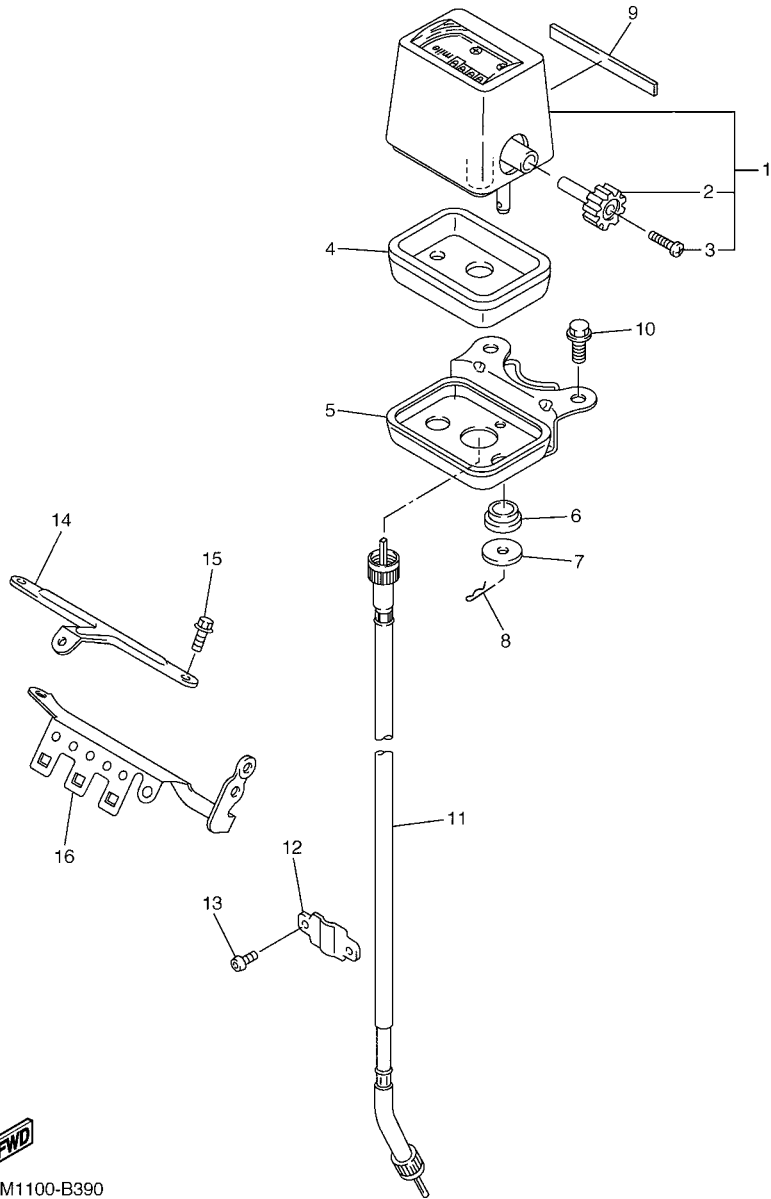
FIG. 37 GENERATOR



| REF. NO. | PART NO. | DESCRIPTION | 5UM5 | 5UM6 | 5UM7 | REMARKS |
|----------|--------------|---------------|------|------|------|---------|
| 1 | 5UM-81410-00 | STATOR ASSY | 1 | 1 | 1 | |
| 2 | 5UM-81450-00 | ROTOR ASSY | 1 | 1 | 1 | |
| 3 | 91317-05020 | BOLT | 2 | 2 | 2 | |
| 4 | 91317-06014 | BOLT | 2 | 2 | 2 | |
| 5 | 90179-12657 | NUT | 1 | 1 | 1 | |
| 6 | 90201-12020 | WASHER, PLATE | 1 | 1 | 1 | |
| | | | | | | |
| | | | | | | |
| | | | | | | |
| | | | | | | |
| | | | | | | |
| | | | | | | |
| | | | | | | |
| | | | | | | |
| | | | | | | |
| | | | | | | |

 5UM5100-C370

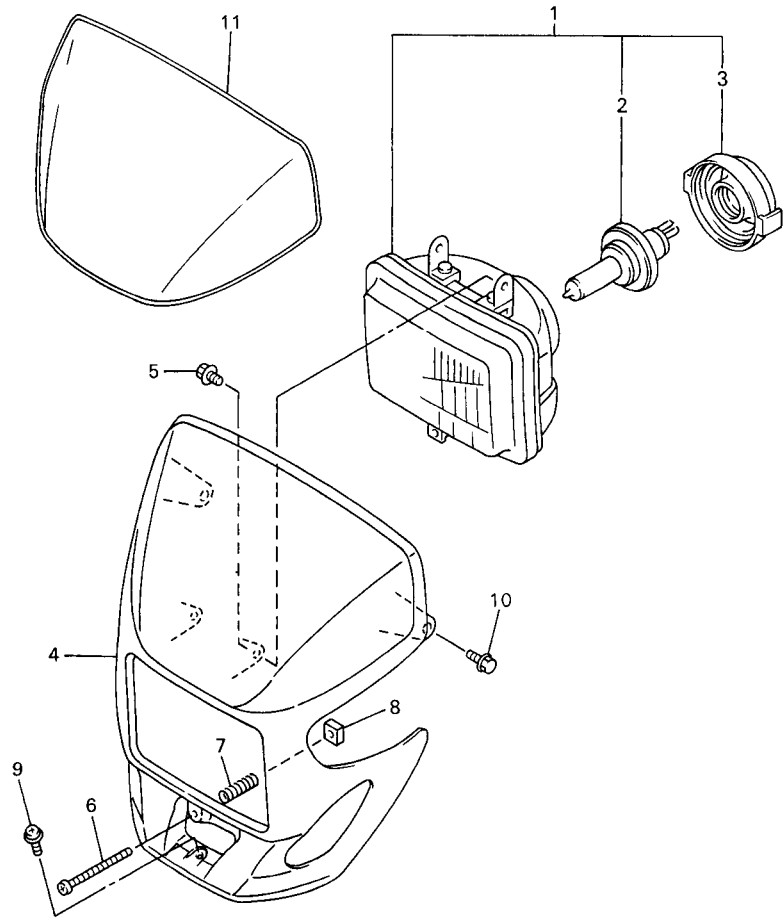
FIG. 39 METER



5UM1100-B390

| REF. NO. | PART NO. | DESCRIPTION | 5UM5 | 5UM6 | 5UM7 | REMARKS |
|----------|--------------|-------------------------|------|------|------|---------|
| 1 | 5TJ-8355W-10 | TRIP METER COMP. (MILE) | 1 | 1 | | FOR GBR |
| | 5TJ-8355W-00 | TRIP METER COMP. (KM/H) | | 1 | 1 | |
| 2 | 1AE-83578-00 | .KNOB, TRIP METER | 1 | 1 | 1 | |
| 3 | 90157-02031 | .SCREW, PAN HEAD | 1 | 1 | 1 | |
| 4 | 4V5-83513-00 | DAMPER | 1 | 1 | 1 | |
| 5 | 5NG-83519-00 | BRACKET, METER | 1 | 1 | 1 | |
| 6 | 1M1-83526-00 | DAMPER 2 | 2 | 2 | 2 | |
| 7 | 90201-05033 | WASHER, PLATE | 2 | 2 | 2 | |
| 8 | 437-83525-00 | CLIP | 2 | 2 | 2 | |
| 9 | 2HR-83592-00 | DAMPER | 1 | 1 | 1 | |
| 10 | 95027-06010 | BOLT, FLANGE | 2 | 2 | 2 | |
| 11 | 5BF-83550-00 | SPEEDOMETER CABLE ASSY | 1 | 1 | 1 | |
| 12 | 5BF-2317M-00 | STAY 3 | 1 | 1 | 1 | |
| 13 | 92017-05008 | BOLT, BUTTON HEAD | 2 | 2 | 2 | |
| 14 | 5PH-84319-50 | STAY, HEADLIGHT 2 | 1 | 1 | 1 | |
| 15 | 95027-08012 | BOLT, FLANGE | 2 | 2 | 2 | |
| 16 | 5TJ-8350E-00 | BRACKET | 1 | 1 | 1 | |

FIG. 40 HEADLIGHT



5NG1100-1380

| REF. NO. | PART NO. | DESCRIPTION | SUM5 | SUM6 | SUM7 | REMARKS |
|----------|--------------|---------------------|------|------|------|-------------|
| 1 | 5BF-84310-01 | HEADLIGHT UNIT ASSY | 1 | 1 | 1 | |
| 2 | 8G9-84314-00 | .BULB (12V-60/55W) | 1 | 1 | 1 | (H4)HALOGEN |
| 3 | 5BF-84397-00 | .COVER, SOCKET | 1 | 1 | 1 | |
| 4 | 5BF-84330-01 | BODY ASSY | 1 | 1 | 1 | |
| 5 | 55U-84337-00 | BOLT, SPECIAL | 2 | 2 | 2 | |
| 6 | 5BF-8433E-00 | SCREW, ADJUSTING | 1 | 1 | 1 | |
| 7 | 5BF-84335-00 | SPRING | 1 | 1 | 1 | |
| 8 | 5BF-84334-00 | NUT, ADJUSTING | 1 | 1 | 1 | |
| 9 | 90159-06189 | SCREW, WITH WASHER | 1 | 1 | 1 | |
| 10 | 95827-06010 | BOLT, FLANGE | 2 | 2 | 2 | |
| 11 | 5BF-2339E-00 | GRAPHIC 1 | 1 | 1 | 1 | |

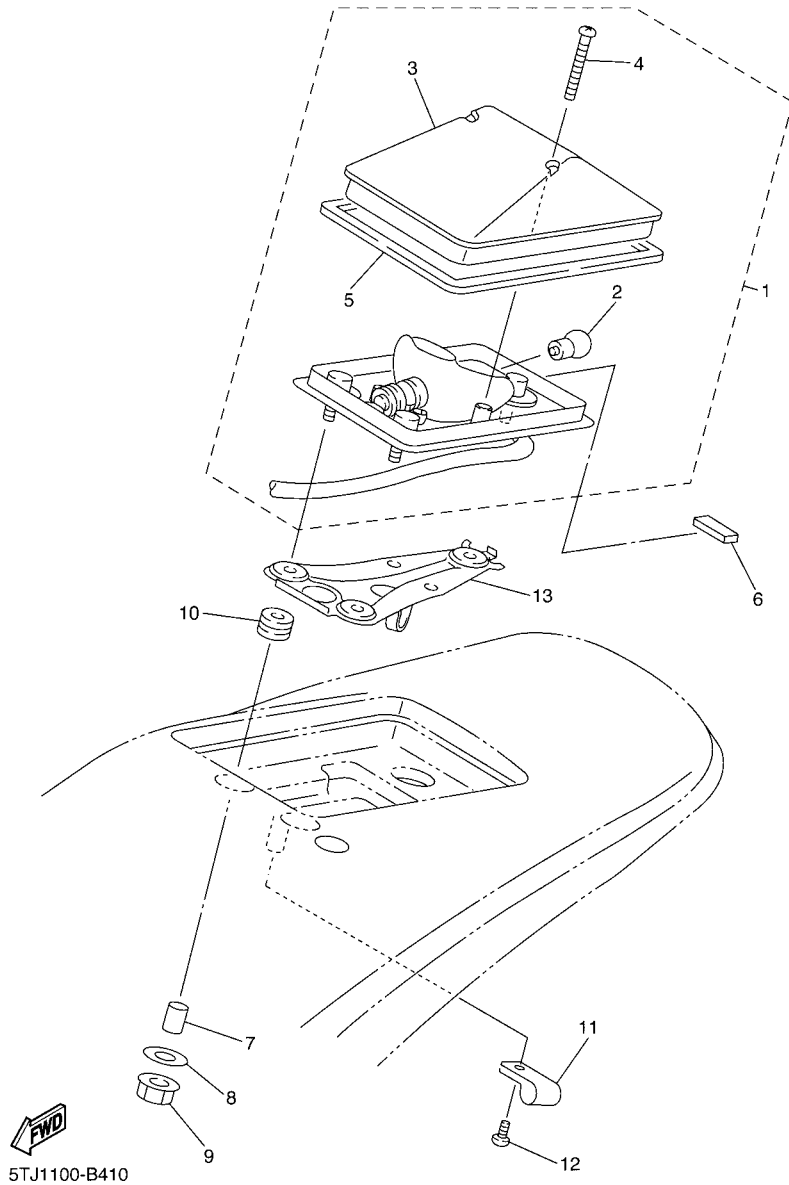


FIG. 41 TAILLIGHT

| REF. NO. | PART NO. | DESCRIPTION | SUM5 | SUM6 | SUM7 | REMARKS |
|----------|--------------|------------------------------|------|------|------|---------|
| 1 | 5TJ-84710-00 | TAILLIGHT UNIT ASSY | 1 | 1 | 1 | |
| 2 | 36Y-84714-40 | .BULB, TAILLIGHT (12V-21/5W) | 1 | 1 | 1 | |
| 3 | 4GY-84733-00 | .LENS, TAILLIGHT | 1 | 1 | 1 | |
| 4 | 97706-40530 | .SCREW, TAPPING | 2 | 2 | 2 | |
| 5 | 4GY-84723-00 | .GASKET, TAIL LENS | 1 | 1 | 1 | |
| 6 | 1HX-27415-00 | PLATE, DAMPER | 1 | 1 | 1 | |
| 7 | 90387-065L5 | COLLAR | 3 | 3 | 3 | |
| 8 | 90201-06057 | WASHER, PLATE | 3 | 3 | 3 | |
| 9 | 95707-06500 | NUT, FLANGE | 3 | 3 | 3 | |
| 10 | 90480-14102 | GROMMET | 3 | 3 | 3 | |
| 11 | 90461-11099 | CLAMP | 2 | 2 | 2 | |
| 12 | 97780-40010 | SCREW, TAPPING | 2 | 2 | 2 | |
| 13 | 5TJ-21677-00 | PLATE, FITTING 3 | 1 | 1 | 1 | |
| | | | | | | |
| | | | | | | |
| | | | | | | |
| | | | | | | |
| | | | | | | |

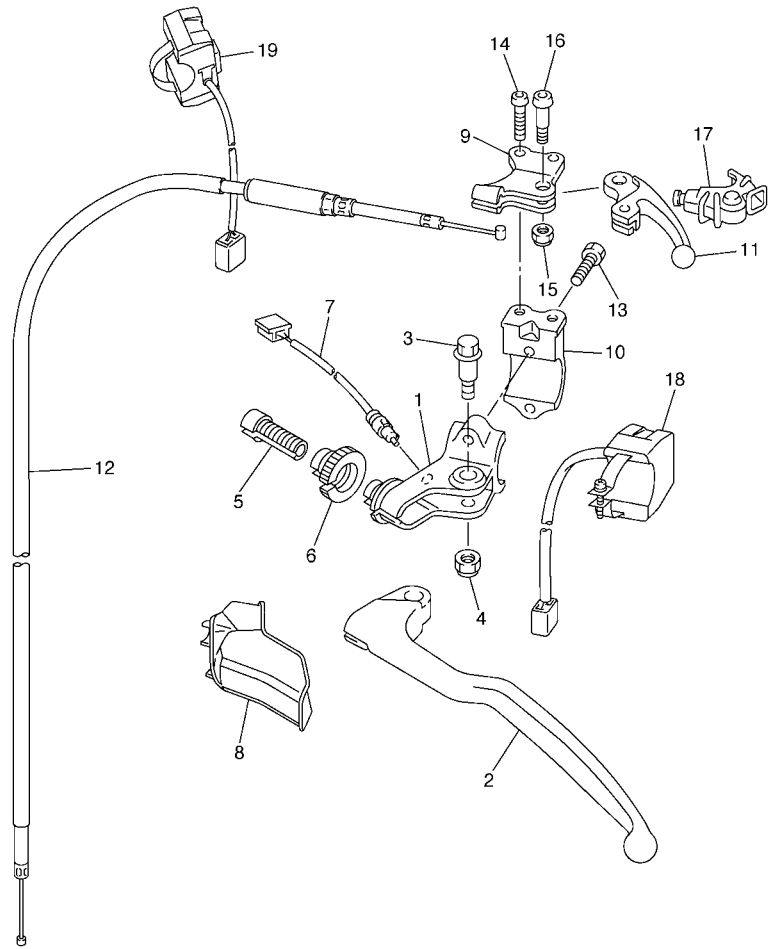
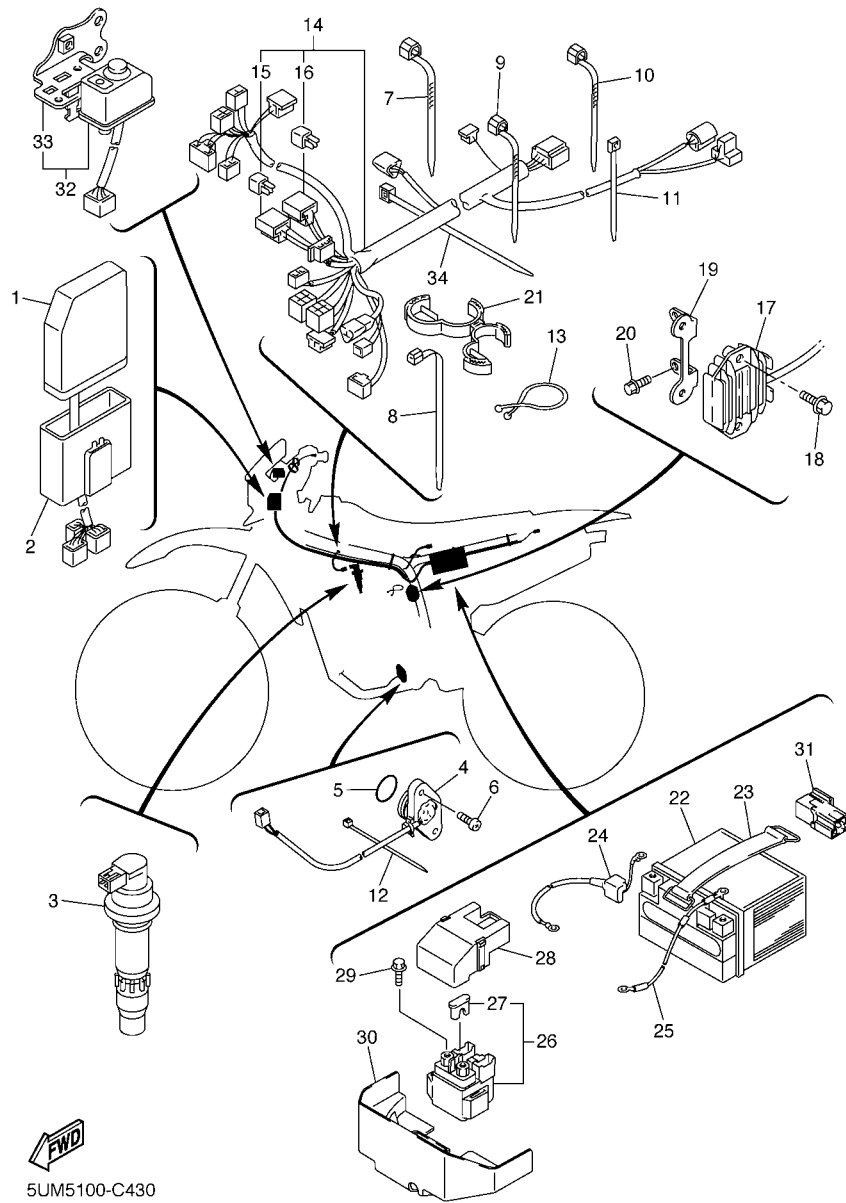


FIG. 42 HANDLE SWITCH & LEVER

| REF. NO. | PART NO. | DESCRIPTION | SUM5 | SUM6 | SUM7 | REMARKS |
|----------|--------------|-----------------------|------|------|------|---------|
| 1 | 5TJ-82911-50 | HOLDER, LEVER 1 | 1 | 1 | 1 | |
| 2 | 5TJ-83912-00 | LEVER 1 | 1 | 1 | 1 | |
| 3 | 90109-06034 | BOLT | 1 | 1 | 1 | |
| 4 | 5LP-84126-10 | NUT, LENS FITTING | 1 | 1 | 1 | |
| 5 | 5TA-26337-00 | BOLT, ADJUSTING | 1 | 1 | 1 | |
| 6 | 5HD-83951-00 | BOLT, CABLE ADJUSTING | 1 | 1 | 1 | |
| 7 | 5TJ-82917-00 | SWITCH | 1 | 1 | 1 | |
| 8 | 5TJ-26372-00 | COVER, HANDLE LEVER 1 | 1 | 1 | 1 | |
| 9 | 5XD-82946-00 | HOLDER, STARTER LEVER | 1 | 1 | 1 | |
| 10 | 5XD-82913-00 | HOLDER, LEVER LOWER 1 | 1 | 1 | 1 | |
| 11 | 5TA-83941-00 | LEVER, STARTER | 1 | 1 | 1 | |
| 12 | 5TA-26334-00 | CABLE, STARTER 2 | 1 | 1 | 1 | |
| 13 | 90101-05033 | BOLT | 2 | 2 | 2 | |
| 14 | 92014-05012 | BOLT, BUTTON HEAD | 2 | 2 | 2 | |
| 15 | 95607-05100 | NUT, U | 1 | 1 | 1 | |
| 16 | 90149-05162 | SCREW | 1 | 1 | 1 | |
| 17 | 5TA-26339-00 | BOOT | 1 | 1 | 1 | |
| 18 | 5TJ-83976-00 | SWITCH, HANDLE 1 | 1 | 1 | 1 | |
| 19 | 5TJ-83976-10 | SWITCH, HANDLE 1 | 1 | 1 | 1 | |
| | | | | | | |
| | | | | | | |
| | | | | | | |



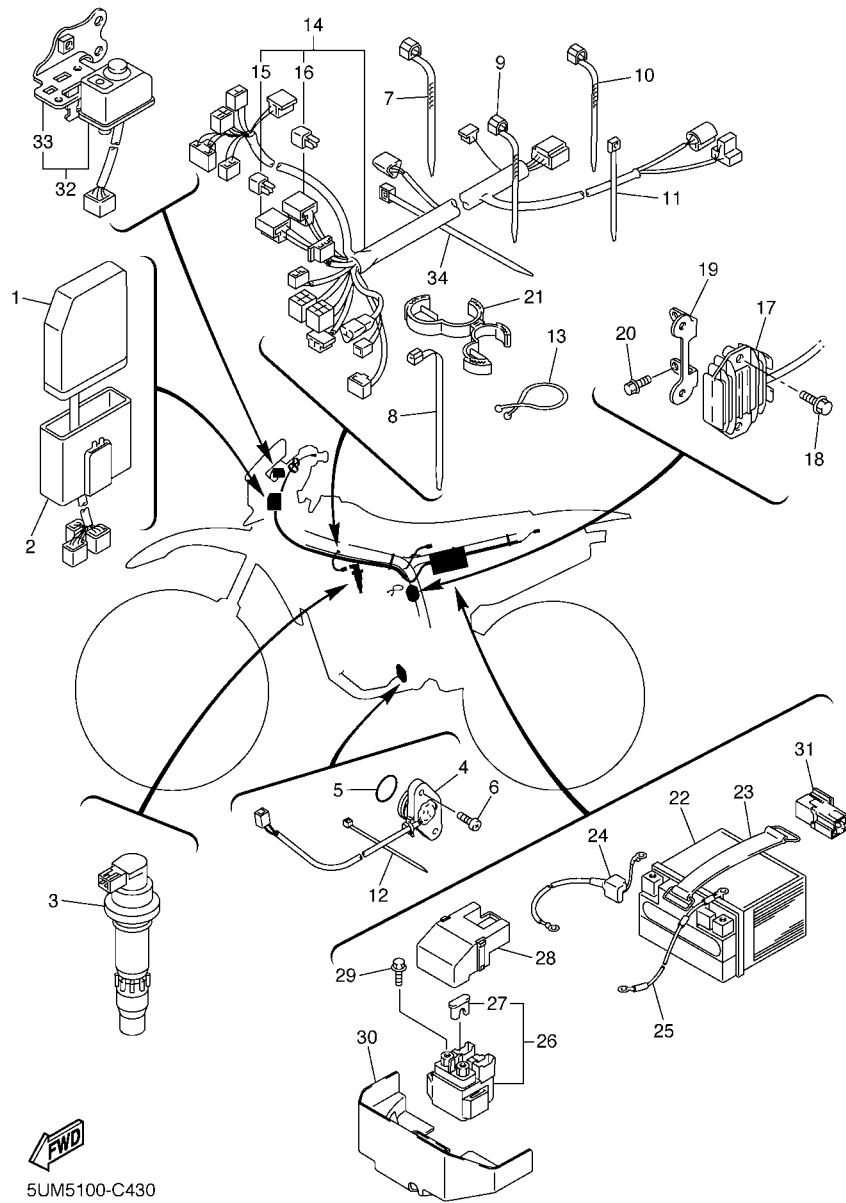
5TJ5100-C420



5UM5100-C430

FIG. 43 ELECTRICAL 1

| REF. NO. | PART NO. | DESCRIPTION | 5UM5 | 5UM6 | 5UM7 | REMARKS |
|----------|--------------|----------------------------|------|------|------|---------|
| 1 | 5UM-85540-50 | C.D.I. UNIT ASSY | 1 | | | |
| | 5UM-85540-60 | C.D.I. UNIT ASSY | | 1 | 1 | |
| 2 | 5TJ-85546-00 | BAND | 1 | 1 | 1 | |
| 3 | 5UL-82310-10 | IGNITION COIL ASSY | 1 | 1 | 1 | |
| 4 | 5TJ-82540-01 | NEUTRAL SWITCH ASSY | 1 | 1 | 1 | |
| 5 | 93210-21276 | O-RING | 1 | 1 | 1 | |
| 6 | 90154-05026 | SCREW, BINDING | 2 | 2 | 2 | |
| 7 | 90464-13077 | CLAMP | 4 | 4 | 4 | |
| 8 | 90465-13275 | CLAMP | 6 | 6 | 6 | |
| 9 | 90464-13073 | CLAMP | 5 | 5 | 5 | |
| 10 | 90464-15195 | CLAMP | 1 | 1 | 1 | |
| 11 | 90465-13152 | CLAMP | 4 | 4 | 4 | |
| 12 | 5Y9-12491-00 | CLAMP 1 | 3 | 3 | 3 | |
| 13 | 90464-23041 | CLAMP | 1 | 1 | 1 | |
| 14 | 5TJ-82590-60 | WIRE HARNESS ASSY | 1 | 1 | 1 | |
| 15 | 5TJ-81980-00 | .DIODE ASSY | 1 | 1 | 1 | |
| 16 | 4WA-81980-00 | .DIODE ASSY | 1 | 1 | 1 | |
| 17 | 5TJ-81960-02 | RECTIFIER & REGULATOR ASSY | 1 | 1 | 1 | |
| 18 | 95027-06020 | BOLT, FLANGE | 2 | 2 | 2 | |
| 19 | 5TJ-2128A-00 | BRACKET, REGULATOR | 1 | 1 | 1 | |
| 20 | 95027-06010 | BOLT, FLANGE | 2 | 2 | 2 | |
| 21 | 90464-29223 | CLAMP | 1 | 1 | 1 | |
| 22 | 5UM-82100-09 | BATTERY ASSY (YTX5L-BS) | 1 | 1 | 1 | |
| 23 | 8CY-82131-00 | BAND, BATTERY | 1 | 1 | 1 | |
| 24 | 5TJ-82115-00 | WIRE, PLUS LEAD | 1 | 1 | 1 | |
| 25 | 5UM-82116-00 | WIRE, MINUS LEAD | 1 | 1 | 1 | |
| 26 | 5TJ-81940-10 | STARTER RELAY ASSY | 1 | 1 | 1 | |

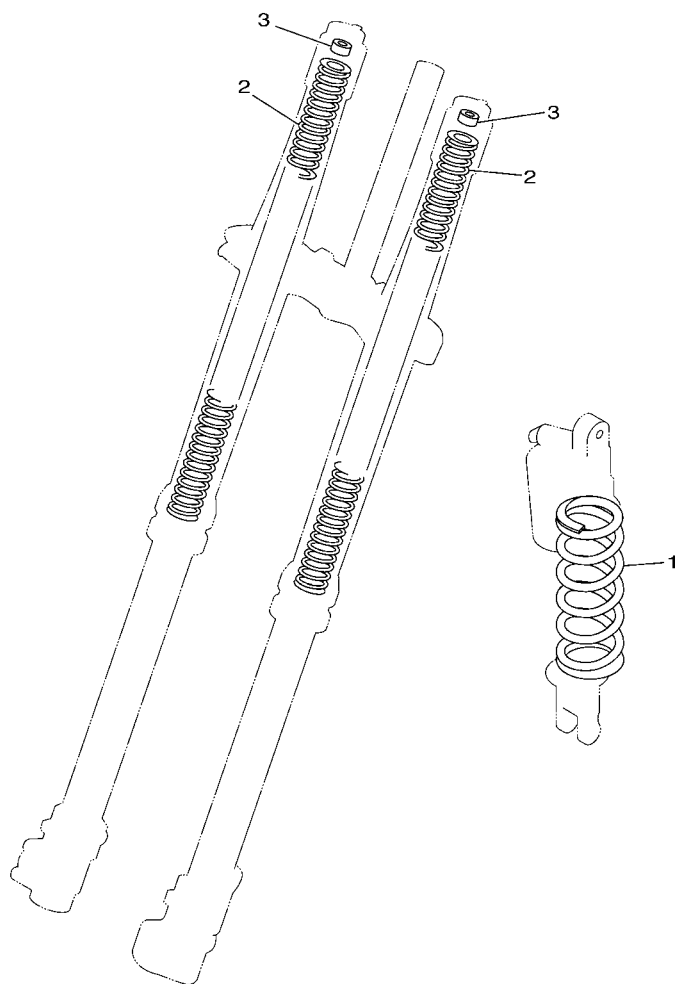


5UM5100-C430

FIG. 43 ELECTRICAL 1

| REF. NO. | PART NO. | DESCRIPTION | SUM5 | SUM6 | SUM7 | REMARKS |
|----------|--------------|--------------------|------|------|------|---------|
| 27 | 42X-82151-00 | .FUSE (10A-BL) | 2 | 2 | 2 | |
| 28 | 5SL-82119-10 | COVER, LEAD WIRE | 1 | 1 | 1 | |
| 29 | 95027-06008 | BOLT, FLANGE | 2 | 2 | 2 | |
| 30 | 5TJ-81952-00 | HOLDER, RELAY | 1 | 1 | 1 | |
| 31 | 8DM-81950-00 | RELAY ASSY | 1 | 1 | 1 | |
| 32 | 5TJ-82510-00 | MAIN SWITCH ASSY | 1 | 1 | 1 | |
| 33 | 5TJ-82514-00 | .STAY, MAIN SWITCH | 1 | 1 | 1 | |
| 34 | 90464-50255 | CLAMP | 1 | 1 | 1 | |
| | | | | | | |
| | | | | | | |
| | | | | | | |
| | | | | | | |
| | | | | | | |
| | | | | | | |
| | | | | | | |
| | | | | | | |
| | | | | | | |
| | | | | | | |
| | | | | | | |
| | | | | | | |

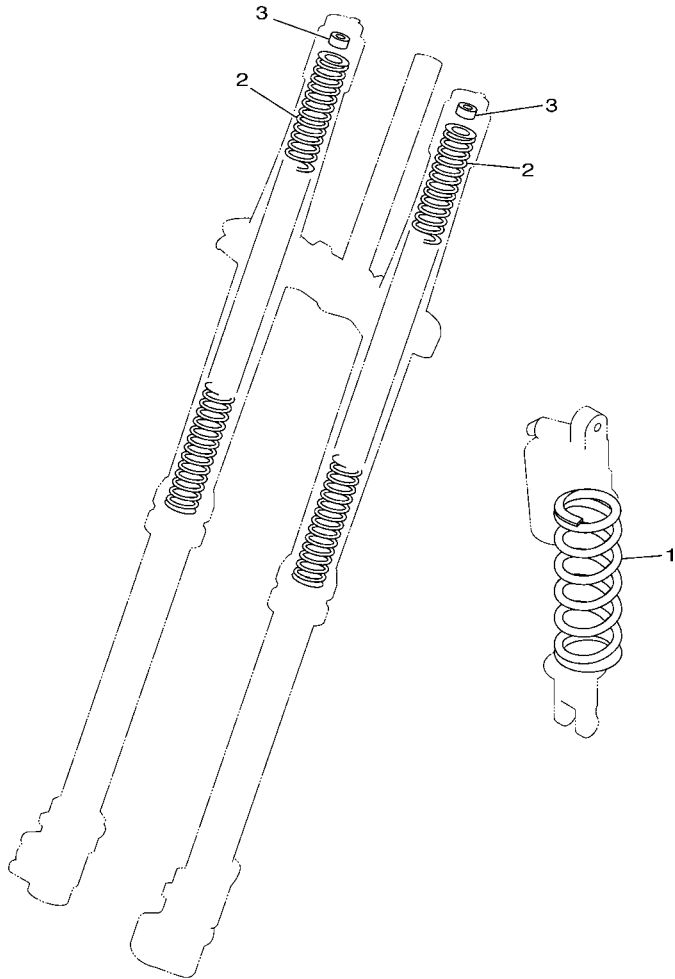
FIG. 44 ALTERNATE FOR CHASSIS



5NL1100-1390

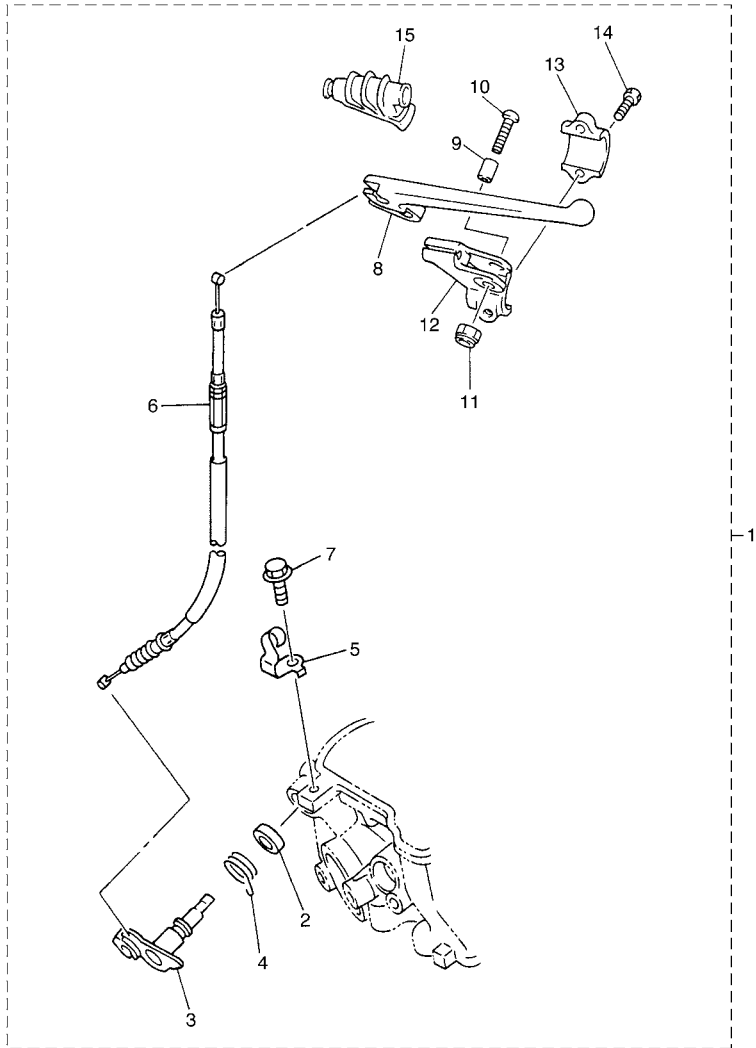
| REF. NO. | PART NO. | DESCRIPTION | 5UM5 | 5UM6 | 5UM7 | REMARKS |
|----------|--------------|----------------------------|------|------|------|---------|
| 1 | 5UN-22212-00 | SPRING (K=42N/MM) | 1 | 1 | 1 | AP |
| | 5UN-22212-10 | SPRING (K=44N/MM) | 1 | 1 | 1 | AP |
| | 5UN-22212-20 | SPRING (K=46N/MM) | 1 | 1 | 1 | AP |
| | 5UN-22212-30 | SPRING (K=48N/MM) | 1 | 1 | 1 | AP |
| | 5UN-22212-40 | SPRING (K=50N/MM) | 1 | 1 | 1 | AP |
| | 5UN-22212-50 | SPRING (K=52N/MM) | 1 | 1 | 1 | AP |
| | 5UN-22212-60 | SPRING (K=54N/MM) | 1 | 1 | 1 | AP |
| | 5UN-22212-70 | SPRING (K=56N/MM) | 1 | 1 | 1 | AP |
| | 5UN-22212-A0 | SPRING (K=APPROX.44N/MM) | 1 | 1 | 1 | AP |
| | 5UN-22212-B0 | SPRING (K=APPROX.46N/MM) | 1 | 1 | 1 | AP |
| | 5UN-22212-C0 | SPRING (K=APPROX.48N/MM) | 1 | 1 | 1 | AP |
| | 5UN-22212-D0 | SPRING (K=APPROX.50N/MM) | 1 | 1 | 1 | AP |
| | 5UN-22212-E0 | SPRING (K=APPROX.52N/MM) | 1 | 1 | 1 | AP |
| | 5UN-22212-F0 | SPRING (K=APPROX.54N/MM) | 1 | 1 | 1 | AP |
| | 5UN-22212-G0 | SPRING (K=APPROX.56N/MM) | 1 | 1 | 1 | AP |
| 2 | 4SS-23141-10 | SPRING (K=3.73N/MM) | 2 | 2 | 2 | AP |
| | 4SS-23141-20 | SPRING (K=3.82N/MM) | 2 | 2 | 2 | AP |
| | 4SS-23141-30 | SPRING (K=3.92N/MM) | 2 | 2 | 2 | AP |
| | 4SS-23141-40 | SPRING (K=4.02N/MM) | 2 | 2 | 2 | AP |
| | 4SS-23141-50 | SPRING (K=4.12N/MM) | 2 | 2 | 2 | AP |
| | 4SS-23141-60 | SPRING (K=4.22N/MM) | 2 | 2 | 2 | AP |
| | 4SS-23141-70 | SPRING (K=4.31N/MM) | 2 | 2 | 2 | AP |
| | 5BE-23141-L0 | SPRING (K=4.41N/MM) | 2 | 2 | 2 | AP |
| | 5BE-23141-00 | SPRING (K=4.51N/MM) | 2 | 2 | 2 | AP |
| | 5GR-23141-00 | SPRING (K=4.61N/MM) | 2 | 2 | 2 | AP |
| | 5ET-23141-20 | SPRING (K=APPROX.3.92N/MM) | 2 | 2 | 2 | AP |
| | 5ET-23141-00 | SPRING (K=APPROX.4.02N/MM) | 2 | 2 | 2 | AP |

FIG. 44 ALTERNATE FOR CHASSIS



| REF. NO. | PART NO. | DESCRIPTION | SUM5 | SUM6 | SUM7 | REMARKS |
|----------|--------------|----------------------------|------|------|------|---------|
| 2 | 5ET-23141-30 | SPRING (K=APPROX.4.12N/MM) | 2 | 2 | 2 | AP |
| | 5ET-23141-10 | SPRING (K=APPROX.4.22N/MM) | 2 | 2 | 2 | AP |
| | 5ET-23141-40 | SPRING (K=APPROX.4.31N/MM) | 2 | 2 | 2 | AP |
| 3 | 4SS-23364-L0 | COLLAR 2 | 2 | 2 | 2 | UN AP |
| ----- | | | | | | |
| ----- | | | | | | |
| ----- | | | | | | |
| ----- | | | | | | |
| ----- | | | | | | |
| ----- | | | | | | |
| ----- | | | | | | |
| ----- | | | | | | |

FWD
5NL1100-1390



5TA1100-B400

FIG. 45 ALTERNATE DECOMPRESSION KIT

| REF. NO. | PART NO. | DESCRIPTION | SUM5 | SUM6 | SUM7 | REMARKS |
|----------|--------------|-----------------------------|------|------|------|---------|
| 1 | 5TA-W1228-00 | DECOMPRESSION KIT | 1 | | | AP |
| 2 | 93102-12224 | .OIL SEAL | 1 | | | |
| 3 | 5BE-12280-10 | .DECOMPRESSION ASSY | 1 | | | |
| 4 | 90508-162B2 | .SPRING, TORSION | 1 | | | |
| 5 | 5NL-12283-00 | .BRACKET, DECOMPRESSION | 1 | | | |
| 6 | 5BE-12292-10 | .CABLE, DECOMPRESSION | 1 | | | |
| 7 | 95827-06014 | .BOLT, FLANGE | 1 | | | |
| 8 | 583-83981-00 | .LEVER, DECOMPRESSION | 1 | | | |
| 9 | 5BE-83913-00 | .COLLAR, LEVER 1 | 1 | | | |
| 10 | 98507-05020 | .SCREW, PAN HEAD | 1 | | | |
| 11 | 95607-05100 | .NUT, U | 1 | | | |
| 12 | 5BE-82912-00 | .HOLDER, LEVER UPPER 1 | 1 | | | |
| 13 | 38V-82913-00 | .HOLDER, LEVER LOWER 1 | 1 | | | |
| 14 | 97007-05016 | .BOLT | 2 | | | |
| 15 | 583-26352-00 | .COVER, DECOMPRESSION CABLE | 1 | | | |

NUMERICAL INDEX

| PART NO. | GRID NO. | PART NO. | GRID NO. | PART NO. | GRID NO. | PART NO. | GRID NO. | PART NO. | GRID NO. | PART NO. | GRID NO. |
|--------------|----------|--------------|----------|--------------|----------|--------------|----------|--------------|----------|--------------|----------|
| 5NL-11102-20 | B - 2 | 1HX-12168-F0 | B - 5 | 5NL-13341-00 | B - 10 | 5TJ-14436-00 | B - 12 | 5JG-14916-ET | B - 15 | 3TJ-1494F-20 | C - 2 |
| 4KG-1111G-00 | B - 3 | 1HX-12168-H1 | B - 5 | 5BE-13342-00 | B - 10 | 5TJ-14437-10 | B - 12 | 5JG-14916-JR | B - 14 | 4JT-1494F-23 | C - 2 |
| 5NL-11133-10 | B - 2 | 1HX-12168-K1 | B - 5 | 5NL-13411-00 | B - 10 | 5TJ-1443A-00 | B - 13 | 5JG-14922-00 | C - 3 | 4JT-1494F-27 | C - 2 |
| 5NL-11134-10 | B - 2 | 1HX-12168-M1 | B - 5 | 5NL-13412-00 | B - 10 | 5BF-1443E-00 | B - 13 | 5GS-14933-00 | C - 4 | 4JT-1494F-29 | C - 2 |
| 5TA-11166-00 | B - 2 | 1HX-12168-R1 | B - 5 | 5TA-13440-00 | B - 11 | 5NY-14442-00 | B - 12 | 3TJ-14933-40 | C - 3 | 4JT-1494F-31 | C - 2 |
| 5BE-11167-00 | B - 2 | 1HX-12168-U1 | B - 5 | 5BE-13447-10 | B - 11 | 5TJ-14451-00 | B - 12 | 5TA-14934-00 | C - 3 | 5JG-14951-00 | B - 14 |
| 371-11167-01 | B - 2 | 1HX-12168-W1 | B - 5 | 5XC-13464-00 | B - 10 | 5TA-14453-00 | B - 12 | 5GS-14940-00 | C - 4 | 5GS-14958-00 | C - 4 |
| 5NL-11181-00 | B - 2 | 1HX-12168-Y1 | B - 5 | 5XC-13465-00 | B - 10 | 5NY-14455-10 | B - 12 | 5JG-14940-16 | C - 3 | 5JG-14959-00 | B - 14 |
| 5NL-11191-00 | B - 2 | 1HX-12169-11 | B - 6 | 5UL-13597-00 | B - 12 | 5TJ-14457-00 | B - 13 | 5JG-14940-17 | C - 3 | 5JG-14984-00 | C - 3 |
| 5NL-11193-00 | B - 3 | 1HX-12169-31 | B - 6 | 5UM-14101-50 | B - 14 | 5TJ-14458-00 | B - 12 | 5JG-14940-18 | C - 3 | 4SR-14985-00 | C - 2 |
| 5XC-11311-00 | B - 3 | 1HX-12169-50 | B - 6 | 5UM-14101-60 | B - 14 | 5TJ-14459-00 | B - 12 | 5JG-14940-76 | C - 3 | 5TA-14987-00 | B - 12 |
| 5NL-11351-00 | B - 3 | 1HX-12169-70 | B - 6 | 3TJ-14105-40 | C - 2 | 5TJ-14462-00 | B - 13 | 5TA-14943-11 | C - 2 | 5TJ-14987-00 | C - 4 |
| 5UM-11387-00 | B - 3 | 1HX-12169-90 | B - 6 | 4MX-14115-00 | C - 4 | 5TJ-14475-00 | B - 12 | 5TA-14943-15 | C - 2 | 5TA-14991-00 | C - 3 |
| 5UM-11400-10 | B - 4 | 1HX-12169-E0 | B - 6 | 3TJ-14137-40 | C - 4 | 5JG-14521-00 | B - 15 | 4MX-14943-39 | B - 15 | 4FN-14997-00 | B - 14 |
| 5UM-11412-10 | B - 4 | 1HX-12169-G0 | B - 6 | | | 5JG-14522-00 | B - 14 | 4MX-14943-40 | B - 15 | 5TA-14997-00 | C - 3 |
| 5UL-11422-00 | B - 4 | 1HX-12169-J0 | B - 6 | 5BE-14146-00 | C - 4 | 5JG-14531-00 | C - 4 | 4MX-14943-41 | B - 15 | 5UM-15150-10 | C - 6 |
| 5NL-11454-00 | B - 4 | 1HX-12169-L0 | B - 6 | 5PA-14146-00 | C - 4 | 3TJ-14536-40 | C - 3 | 4MX-14943-42 | B - 15 | 5UM-15362-00 | D - 4 |
| 5NL-11455-00 | B - 4 | 1HX-12169-N0 | B - 6 | 5TA-14155-00 | C - 3 | 5JG-14546-01 | B - 14 | 4MX-14943-43 | B - 15 | 3Y1-15363-00 | C - 7 |
| 5NL-11531-00 | B - 4 | 1HX-12169-T0 | B - 6 | 633-14159-00 | C - 3 | 676-14548-00 | C - 2 | 4MX-14943-44 | B - 15 | 4JT-15381-01 | C - 6 |
| 5NL-11536-00 | B - 4 | 5UM-12170-00 | B - 7 | 3TJ-14159-40 | B - 15 | 4MX-14561-00 | C - 3 | 4MX-14943-89 | B - 15 | 5BE-15383-01 | C - 6 |
| 5NL-11603-00 | B - 4 | 5UM-12180-00 | B - 7 | 5TA-14171-00 | C - 3 | 6H4-14561-00 | C - 3 | 4MX-14943-90 | B - 15 | 5NL-15388-00 | C - 6 |
| 5NL-11631-10 | B - 4 | 5TA-12210-00 | B - 7 | 3TJ-14191-40 | C - 3 | 5NX-14562-00 | C - 3 | 4MX-14943-91 | B - 15 | 5UM-15411-10 | C - 7 |
| 5NL-11633-00 | B - 4 | 4FM-12213-00 | B - 7 | 5UL-14196-00 | C - 4 | 5JG-14565-00 | C - 4 | 4MX-14943-92 | B - 15 | 5NL-15415-00 | C - 7 |
| 5UL-11651-00 | B - 4 | 5BE-12241-00 | B - 7 | 5TA-14197-00 | C - 4 | 5GS-14591-00 | C - 4 | 4MX-14943-93 | B - 15 | 5BE-15421-01 | C - 6 |
| 5XC-11681-00 | B - 4 | 5NL-12251-00 | B - 7 | 5NX-14216-00 | C - 3 | 5NL-14591-00 | C - 4 | 4MX-14943-94 | B - 15 | 5NL-15431-10 | C - 7 |
| 5NL-12111-10 | B - 5 | 5NL-12252-00 | B - 7 | 5TA-14227-00 | B - 12 | 688-14592-00 | B - 14 | 4MX-14943-95 | B - 15 | 5NL-15441-01 | C - 6 |
| 5NL-12112-10 | B - 5 | 5BE-12280-10 | F - 10 | 5TA-14239-00 | B - 12 | 5XG-14611-00 | C - 5 | 5JG-14947-00 | B - 15 | 5UM-15451-00 | C - 7 |
| 5NL-12113-00 | B - 5 | 5NL-12283-00 | F - 10 | 5TA-14261-00 | C - 4 | 5NL-14613-00 | C - 5 | 4MX-14948-01 | B - 15 | 5NL-15453-00 | C - 8 |
| 5NL-12114-00 | B - 5 | 5BE-12292-10 | F - 10 | 5JG-14264-00 | B - 15 | 5XC-14628-00 | C - 5 | 4MX-14948-02 | B - 15 | 5NL-15462-00 | C - 7 |
| 5NL-12116-00 | B - 5 | 5PH-1240A-00 | B - 9 | 3TJ-14267-40 | B - 14 | 5UM-14710-50 | C - 5 | 4MX-14948-03 | B - 15 | 5UM-1549B-00 | C - 7 |
| 1HX-12117-00 | B - 5 | 5NL-12422-10 | B - 8 | 5JG-14275-00 | B - 15 | 5UM-14710-60 | C - 5 | 4MX-14948-04 | B - 15 | 5UM-15515-10 | C - 10 |
| 1WG-12117-00 | B - 5 | 5NL-12439-00 | B - 8 | 5TA-14293-00 | B - 12 | 5UM-14710-70 | C - 5 | 4MX-14948-05 | B - 15 | 5UM-15517-00 | C - 10 |
| 1HX-12118-00 | B - 5 | 5DH-12451-00 | B - 8 | 3TJ-14293-40 | C - 3 | 5PH-14714-00 | C - 5 | 4MX-14948-06 | B - 15 | 5UM-15532-00 | C - 10 |
| 1WG-12118-00 | B - 5 | 5XC-12459-00 | B - 8 | 5TA-14335-00 | C - 3 | 4BD-14766-00 | C - 5 | 4MX-14948-07 | C - 2 | 5UM-15560-00 | C - 10 |
| 4SV-12119-00 | B - 5 | 5PH-12461-00 | B - 9 | 5JG-14346-00 | C - 4 | 5BE-14788-00 | C - 5 | 4JT-1494F-03 | C - 2 | 5UM-15570-00 | C - 10 |
| 4TV-12119-00 | B - 5 | 5HD-12462-00 | B - 9 | 5TA-14371-00 | C - 3 | 5TJ-14916-D1 | B - 14 | 4JT-1494F-07 | C - 2 | 5VY-15586-00 | C - 10 |
| 5NL-12121-10 | B - 5 | 5NL-12481-00 | B - 9 | 5TA-14374-00 | C - 3 | 5TJ-14916-DP | B - 14 | 4JT-1494F-11 | C - 2 | 5NL-15601-00 | C - 9 |
| 3GM-12126-00 | B - 5 | 5Y9-12491-00 | F - 6 | 5JG-14379-00 | C - 3 | 5TJ-14916-DR | B - 14 | 3TJ-1494F-12 | C - 2 | 5NL-15620-10 | C - 9 |
| 3FV-12153-09 | B - 6 | 5NL-12564-00 | C - 7 | 5JG-14388-00 | B - 14 | 5TJ-14916-DS | B - 14 | 3TJ-1494F-13 | C - 2 | 5NX-15621-10 | C - 9 |
| 3LN-12153-09 | B - 6 | 5SG-12576-00 | B - 9 | 4MX-14392-00 | C - 3 | 5TJ-14916-DT | B - 14 | 3TJ-1494F-14 | C - 2 | 5NL-15641-00 | C - 9 |
| 3FV-12153-10 | B - 6 | 5SG-12577-00 | B - 9 | 5TJ-14401-10 | B - 12 | 5TJ-14916-DU | B - 14 | 3TJ-1494F-15 | C - 2 | 5NL-15651-00 | C - 9 |
| 3LN-12153-10 | B - 6 | 5SG-12578-00 | B - 9 | 5TJ-1441A-00 | B - 13 | 5TJ-14916-DV | B - 14 | 4JT-1494F-15 | C - 2 | 5NL-15664-00 | C - 9 |
| 1HX-12168-00 | B - 5 | 5SG-12579-00 | B - 9 | 5TJ-1441E-10 | B - 12 | 5JG-14916-E1 | B - 14 | 3TJ-1494F-16 | C - 2 | 5SG-15668-00 | C - 9 |
| 1HX-12168-20 | B - 5 | 583-13113-00 | B - 11 | 5TJ-1441G-00 | B - 12 | 5JG-14916-EM | B - 14 | 3TJ-1494F-17 | C - 2 | 4GY-15671-00 | C - 9 |
| 1HX-12168-40 | B - 5 | 5NL-13161-00 | B - 11 | 5TJ-14425-10 | B - 12 | 5JG-14916-EN | B - 14 | 4JT-1494F-17 | C - 2 | 214-15686-00 | C - 9 |
| 1HX-12168-60 | B - 5 | 5NL-13171-00 | B - 11 | 5TJ-14426-00 | B - 12 | 5JG-14916-EP | B - 14 | 3TJ-1494F-18 | C - 2 | 5NL-16111-00 | C - 11 |
| 1HX-12168-80 | B - 5 | 5SG-13300-00 | B - 10 | 5TA-14428-00 | B - 12 | 5JG-14916-ER | B - 14 | 3TJ-1494F-19 | C - 2 | 5NL-16150-10 | C - 11 |
| 1HX-12168-A0 | B - 5 | 5NL-13320-00 | B - 10 | 5TJ-1442A-00 | B - 13 | 5JG-14916-ES | B - 14 | 4JT-1494F-19 | C - 2 | 5NL-16154-00 | C - 11 |

NUMERICAL INDEX

| PART NO. | GRID NO. | PART NO. | GRID NO. | PART NO. | GRID NO. | PART NO. | GRID NO. | PART NO. | GRID NO. | PART NO. | GRID NO. |
|--------------|----------|--------------|----------|--------------|----------|--------------|----------|--------------|----------|--------------|----------|
| 3XJ-16321-00 | C - 11 | 5UL-21417-00 | D - 4 | 5XE-2217F-00 | D - 8 | 5UM-23103-50 | D - 13 | 5DH-23183-00 | D - 9 | 5TJ-25383-50 | E - 7 |
| 5DH-16321-00 | C - 11 | 5UL-21417-10 | D - 4 | 5MV-22184-00 | D - 9 | 5UM-23103-60 | D - 13 | 509-23184-L0 | D - 9 | 5NY-25388-00 | E - 7 |
| 5NL-16325-00 | C - 11 | 5NL-21425-00 | D - 3 | 5UM-22199-00 | D - 7 | 5UM-23103-80 | D - 13 | 5MV-23195-L0 | D - 12 | 5NY-25389-00 | E - 7 |
| 5NL-16325-10 | C - 11 | 5NL-21425-10 | D - 3 | 5UM-22201-50 | D - 9 | 5BF-23110-L0 | D - 13 | 5TJ-2319U-00 | D - 11 | 3JE-25394-00 | E - 6 |
| 5HD-16351-00 | C - 11 | 5TJ-21458-50 | E - 11 | 5UM-22201-60 | D - 9 | 5UN-23111-L0 | D - 12 | 5HC-2331E-00 | D - 14 | 4XM-25394-00 | E - 6 |
| 5NL-16356-00 | C - 11 | 5NL-21471-01 | D - 4 | 5UM-22201-70 | D - 9 | 5DH-23118-L0 | D - 12 | 5UL-23340-L0 | D - 14 | 5SF-25394-00 | E - 4 |
| 5NL-16357-00 | C - 11 | 5NL-2147A-00 | D - 4 | 5UM-22201-80 | D - 9 | 5DH-23120-L0 | D - 12 | 4SS-23346-L0 | D - 14 | 5NY-25448-00 | E - 6 |
| 5NL-16371-00 | C - 11 | 5UM-2147A-00 | D - 4 | 5UM-22210-50 | D - 9 | 5TJ-23125-50 | D - 12 | 5NY-23346-L0 | D - 14 | 5GS-25448-50 | E - 6 |
| 5JG-16381-00 | C - 11 | 5PH-21481-00 | D - 4 | 5UM-22210-60 | D - 9 | 5TJ-23125-L0 | D - 12 | 3SP-23356-L0 | D - 14 | 5NY-25449-00 | E - 6 |
| 5NL-16383-10 | C - 11 | 5HD-21511-00 | D - 5 | 5UM-22210-70 | D - 9 | 3JD-2312G-L0 | D - 13 | 4SS-23364-L0 | F - 9 | 5NY-25450-00 | E - 6 |
| 4JT-16384-00 | C - 11 | 5UN-2153A-00 | D - 8 | 5UM-22210-80 | D - 9 | 5TJ-23136-50 | D - 12 | 4DA-23389-00 | D - 11 | 5GS-25450-50 | E - 6 |
| 5NL-16384-00 | C - 11 | 4XL-2153A-10 | D - 14 | 5UN-22212-00 | F - 8 | 5TJ-23136-L0 | D - 12 | 4GY-23389-00 | D - 11 | 5NY-25451-00 | E - 6 |
| 5NL-17121-00 | C - 13 | 4ES-2153E-01 | D - 5 | 5UN-22212-10 | F - 8 | 5BE-23141-00 | F - 8 | 5HD-23393-L0 | D - 12 | 5NY-25452-00 | E - 6 |
| 5PH-17131-10 | C - 13 | 5TJ-21610-50 | D - 5 | 5UN-22212-20 | D - 9 | 5ET-23141-00 | F - 8 | 5BF-2339E-00 | F - 3 | 5GS-25452-50 | E - 6 |
| 5PH-17141-10 | C - 13 | 5XD-21635-00 | D - 5 | | | 5GR-23141-00 | F - 8 | 4EW-23416-00 | D - 11 | 5PH-25454-50 | E - 7 |
| 5PH-17151-00 | C - 13 | 5UM-2163G-50 | D - 5 | 5UN-22212-30 | F - 8 | 5NL-23141-00 | D - 12 | 5PH-23435-10 | D - 11 | 5CG-25715-00 | E - 10 |
| 5PH-17211-00 | C - 13 | 5TA-21642-00 | D - 5 | 5UN-22212-40 | F - 8 | 4SS-23141-10 | F - 8 | 5XE-23441-00 | D - 11 | | |
| 5NL-17221-00 | C - 13 | 5TJ-21677-00 | F - 4 | | | 5ET-23141-10 | F - 9 | 5TJ-24110-50 | D - 15 | 5DH-25718-01 | E - 8 |
| 5PH-17231-10 | C - 13 | 5TJ-21711-00 | D - 6 | 5UN-22212-50 | F - 8 | 4SS-23141-20 | F - 8 | 4EW-2412F-00 | D - 15 | 5UN-2580T-00 | E - 5 |
| 5PH-17241-10 | C - 13 | 5TJ-21721-00 | D - 6 | 5UN-22212-60 | F - 8 | 5ET-23141-20 | F - 8 | 5XE-24144-00 | D - 15 | 5UN-2580W-10 | E - 8 |
| 5PH-17251-10 | C - 13 | 5PH-2172A-10 | D - 6 | 5UN-22212-70 | F - 8 | 4SS-23141-30 | F - 8 | 5SF-24173-00 | D - 15 | 5MV-2581T-00 | E - 5 |
| 5NL-17402-00 | C - 13 | 5TJ-21730-00 | D - 6 | 5UN-22212-A0 | F - 8 | 5ET-23141-30 | F - 9 | 5XE-24176-00 | D - 15 | 5UN-25827-60 | E - 8 |
| 5PH-17411-10 | C - 13 | 5TJ-2173E-10 | D - 6 | 5UN-22212-B0 | F - 8 | 4SS-23141-40 | F - 8 | 22W-24181-00 | C - 5 | 5UN-25828-60 | E - 8 |
| 5NL-17466-00 | C - 6 | 5TJ-2173F-10 | D - 6 | 5UN-22212-C0 | F - 8 | 5ET-23141-40 | F - 9 | 5TJ-24181-00 | D - 15 | 5NY-2582W-00 | E - 8 |
| 5NL-17471-00 | C - 14 | 5TJ-21740-00 | D - 6 | 5UN-22212-D0 | F - 8 | 4SS-23141-50 | F - 8 | 5BE-24182-00 | D - 15 | 5MV-25833-00 | E - 10 |
| 5UL-18101-00 | D - 2 | 3JD-21748-00 | D - 5 | 5UN-22212-E0 | F - 8 | 4SS-23141-60 | F - 8 | 5NY-24183-00 | D - 15 | 5UN-2583V-00 | E - 13 |
| 5UL-18110-00 | D - 2 | 5TJ-2174A-00 | D - 6 | 5UN-22212-F0 | F - 8 | 4SS-23141-70 | F - 8 | 5NY-24186-00 | D - 15 | 5DH-25849-00 | E - 5 |
| 5LP-18122-00 | D - 2 | 5TJ-2174T-00 | D - 5 | 5UN-22212-G0 | F - 8 | 4SR-23141-L0 | D - 12 | 5TJ-24240-10 | E - 2 | 5MV-25852-01 | E - 10 |
| 3XK-18140-00 | C - 15 | 5TA-21756-00 | D - 3 | 3SP-22213-00 | D - 9 | 4XL-23141-L0 | D - 12 | 3XJ-24380-00 | D - 15 | 5UN-25852-50 | E - 13 |
| 5BE-18172-00 | D - 2 | 2TK-21757-00 | B - 13 | 5XE-22214-00 | D - 9 | 5BE-23141-L0 | F - 8 | 2GU-24500-01 | D - 15 | 5XE-25853-00 | E - 10 |
| 3XJ-18173-00 | D - 2 | 5TJ-21757-00 | B - 13 | 5MV-22224-00 | D - 9 | 5DH-23142-L0 | D - 12 | 4X8-24512-00 | D - 15 | 5UN-25854-00 | E - 13 |
| 3XJ-18178-00 | D - 2 | 5MV-2175C-00 | D - 6 | 4JX-22226-00 | D - 9 | 5HD-23144-L0 | D - 12 | 3AJ-24523-00 | D - 15 | 5XE-25854-00 | E - 10 |
| 3XJ-18182-00 | D - 2 | 4XV-2177L-00 | B - 12 | 3SP-22234-00 | D - 9 | 5UN-23145-L0 | D - 12 | 3AJ-24534-00 | D - 15 | 5UN-2585B-00 | E - 13 |
| 3XJ-18184-00 | D - 2 | 5XD-21781-00 | D - 6 | 5NY-22241-00 | D - 10 | 5UN-23146-L0 | D - 12 | 5NY-24610-00 | D - 15 | 5MV-25867-00 | E - 10 |
| 4EW-18185-00 | D - 2 | 5GS-21871-00 | D - 6 | 5XE-22242-00 | D - 10 | 5DH-23149-L0 | D - 12 | 5TJ-2470F-50 | E - 3 | 5NY-25868-00 | E - 10 |
| 5NL-18501-00 | C - 15 | 26H-21874-00 | D - 6 | 5DH-22253-00 | D - 9 | 5DH-2314E-00 | E - 5 | 5TJ-24710-50 | E - 3 | 5TJ-25872-00 | E - 10 |
| 5NL-18502-00 | C - 15 | 26H-21875-00 | D - 6 | 5MV-22253-00 | D - 9 | 5XE-2314F-L0 | D - 14 | 5NY-25104-00 | E - 4 | 5UN-25873-00 | E - 13 |
| 5NL-18503-00 | C - 15 | 5UN-22110-00 | D - 7 | 4AA-22259-40 | D - 9 | 5XE-2314G-L0 | D - 14 | 5NG-25111-50 | E - 4 | 5DH-25875-00 | E - 5 |
| 5NL-18541-00 | C - 15 | 5NY-22121-00 | D - 7 | 4AA-22259-60 | D - 9 | 5TA-2314H-00 | D - 14 | 5NY-25117-00 | E - 4 | 2VM-25876-00 | E - 13 |
| 4BA-18542-00 | C - 15 | 5XE-22122-00 | D - 8 | 4AA-22259-80 | D - 9 | 5TJ-2314J-00 | D - 14 | 5BE-25181-00 | E - 4 | 5MV-2589F-00 | E - 10 |
| 5DH-18562-00 | C - 6 | 5UM-22128-00 | D - 7 | 5UN-22355-00 | D - 7 | 4SS-23153-L0 | D - 12 | 5NY-25183-00 | E - 4 | 5UN-25914-00 | E - 8 |
| 5UM-21101-50 | D - 3 | 5NY-22141-01 | D - 7 | 4EW-22474-00 | D - 9 | 5NG-23158-L0 | D - 12 | 5NG-25190-50 | E - 4 | 5DH-25914-50 | E - 8 |
| 5TJ-21190-50 | D - 3 | 5UN-22151-00 | D - 7 | 3JE-22475-00 | D - 9 | 5UM-2316A-50 | D - 12 | 5GS-25304-00 | E - 6 | 3SP-25914-51 | E - 5 |
| 5TJ-2128A-00 | F - 6 | 5JG-22156-00 | D - 7 | 5NY-22475-00 | D - 9 | 5UM-2316A-60 | D - 12 | 5ET-25311-00 | E - 6 | 5DH-25916-00 | E - 5 |
| 5TJ-21338-00 | D - 4 | 5UN-22176-00 | D - 9 | 5UN-22898-60 | E - 8 | 5TJ-23170-50 | D - 12 | 5ET-25317-00 | E - 6 | | |
| 5NG-21338-01 | D - 4 | 4EW-22178-01 | D - 3 | 5UM-23102-50 | D - 12 | 5TJ-23170-60 | D - 12 | 4XM-25364-00 | E - 6 | 3JD-25917-00 | E - 5 |
| 5HD-2135F-00 | D - 8 | 3JD-22178-10 | D - 3 | 5UM-23102-60 | D - 12 | 5ET-23171-L0 | D - 12 | 5ET-25367-00 | E - 7 | | |
| 5XE-2135F-00 | D - 8 | 5NY-2217A-00 | D - 7 | 5UM-23102-80 | D - 12 | 5BF-2317M-00 | F - 2 | 5ET-25381-00 | E - 7 | 5DH-25919-00 | E - 5 |

NUMERICAL INDEX

| PART NO. | GRID NO. | PART NO. | GRID NO. | PART NO. | GRID NO. | PART NO. | GRID NO. | PART NO. | GRID NO. | PART NO. | GRID NO. |
|--------------|----------|--------------|----------|--------------|----------|-------------|----------|-------------|----------|-------------|----------|
| 5DH-25919-50 | E - 8 | 8DM-81950-00 | F - 7 | 55U-84337-00 | F - 3 | 90110-06058 | B - 10 | 90201-08089 | E - 11 | 90387-06M24 | E - 12 |
| 8CR-25924-00 | E - 8 | 5TJ-81952-00 | F - 7 | 5BF-8433E-00 | F - 3 | 90110-08096 | D - 3 | 90201-080H1 | C - 11 | 90387-086N4 | D - 3 |
| 3SP-25926-51 | E - 5 | 5TJ-81953-00 | B - 13 | 5BF-84397-00 | F - 3 | 90111-06029 | E - 13 | 90201-08326 | C - 9 | 90387-10019 | E - 11 |
| 5DH-25933-00 | E - 5 | 5TJ-81960-02 | F - 6 | 5TJ-84710-00 | F - 4 | 90116-06541 | B - 2 | | E - 7 | 90387-1003G | E - 11 |
| 1UY-25937-51 | E - 5 | 4WA-81980-00 | F - 6 | 36Y-84714-40 | F - 4 | 90119-05071 | D - 11 | 90201-08410 | C - 3 | 90387-124F4 | D - 2 |
| | E - 8 | 5TJ-81980-00 | F - 6 | 4GY-84723-00 | F - 4 | 90119-06001 | D - 4 | 90201-08512 | B - 8 | 90387-16005 | D - 7 |
| 4XM-26111-00 | E - 9 | 5UM-82100-09 | F - 6 | 4GY-84733-00 | F - 4 | 90119-06051 | D - 6 | 90201-086P8 | C - 5 | 90387-16007 | D - 7 |
| 5BE-26240-00 | E - 9 | 5TJ-82115-00 | F - 6 | 5UM-85540-50 | F - 6 | 90119-06096 | D - 5 | | D - 3 | 90387-167Y9 | D - 7 |
| 4GY-26241-00 | E - 9 | 5UM-82116-00 | F - 6 | 5UM-85540-60 | F - 6 | 90119-06192 | D - 5 | 90201-096J9 | B - 2 | 90387-18004 | D - 7 |
| 4GY-26242-00 | E - 9 | 5SL-82119-10 | F - 7 | 5TJ-85546-00 | F - 6 | 90119-06225 | D - 5 | 90201-10118 | E - 10 | 90387-18005 | D - 7 |
| 3Y1-26249-00 | E - 9 | 8CY-82131-00 | F - 6 | 5TA-85885-00 | C - 3 | 90119-08238 | D - 6 | | E - 13 | 90387-18007 | C - 6 |
| 5BE-26281-00 | E - 9 | 42X-82151-00 | F - 7 | 5NY-W0041-00 | E - 10 | 90149-05162 | F - 5 | 90201-10119 | E - 11 | 90387-20006 | C - 13 |
| 5BE-26282-00 | E - 9 | 5UL-82310-10 | F - 6 | 5UN-W0042-50 | E - 13 | 90149-06011 | D - 15 | 90201-104R2 | C - 10 | 90387-22001 | C - 13 |
| 5SF-26287-00 | E - 9 | 5TJ-82510-00 | F - 7 | 5MV-W0045-01 | E - 5 | 90149-06126 | C - 6 | 90201-12020 | E - 14 | 90401-08038 | B - 11 |
| 5XD-26302-00 | E - 9 | 5TJ-82514-00 | F - 7 | 5UN-W0046-51 | E - 8 | 90149-06250 | B - 4 | 90201-12166 | B - 10 | 90401-10159 | B - 11 |
| 5TA-26334-00 | F - 5 | 5TJ-82540-01 | F - 6 | 3JD-W0047-00 | E - 5 | 90149-06326 | C - 6 | 90201-145M4 | D - 3 | 90401-10172 | E - 10 |
| 5UM-26335-00 | E - 9 | 5TJ-82590-60 | F - 6 | 5UN-W0047-50 | E - 8 | 90149-06327 | E - 5 | 90201-14740 | D - 8 | | E - 13 |
| 5TA-26337-00 | F - 5 | 5TJ-82911-50 | F - 5 | 1UY-W0048-50 | E - 5 | 90151-04001 | D - 7 | 90201-15701 | C - 7 | 90430-06014 | B - 2 |
| 5TA-26339-00 | F - 5 | 5BE-82912-00 | F - 10 | | E - 8 | 90152-06010 | C - 9 | 90201-160F6 | D - 7 | | B - 7 |
| 5HD-26342-00 | E - 9 | 38V-82913-00 | F - 10 | 5UN-W0057-00 | E - 5 | 90154-05026 | F - 6 | 90201-162H4 | C - 9 | | B - 8 |
| 583-26352-00 | F - 10 | 5XD-82913-00 | F - 5 | 5UN-W0057-50 | E - 8 | 90157-02031 | F - 2 | 90201-167P7 | C - 9 | 90430-08119 | B - 11 |
| 5NY-26372-00 | E - 10 | 5TJ-82917-00 | F - 5 | 5TA-W1228-00 | F - 10 | 90159-06078 | D - 6 | 90201-177G4 | C - 9 | | D - 3 |
| 5TJ-26372-00 | F - 5 | 5XD-82946-00 | F - 5 | 5XE-W2587-00 | E - 10 | 90159-06092 | C - 11 | 90201-203L1 | C - 10 | 90430-10188 | B - 11 |
| 4XM-27200-00 | E - 11 | 5TJ-8350E-00 | F - 2 | 90101-05033 | F - 5 | 90159-06182 | D - 6 | 90201-203U1 | E - 7 | | C - 6 |
| 5JG-27217-00 | E - 11 | 4V5-83513-00 | F - 2 | 90101-06001 | C - 9 | 90159-06189 | F - 3 | 90201-20685 | C - 9 | 90445-09100 | D - 15 |
| 5UN-27217-00 | E - 13 | 5NG-83519-00 | F - 2 | 90101-06664 | D - 2 | 90170-14171 | B - 4 | 90201-247L2 | D - 11 | 90445-09220 | D - 15 |
| 5UN-27218-00 | E - 13 | 437-83525-00 | F - 2 | 90101-08777 | E - 7 | 90170-16326 | C - 11 | 90201-286K9 | D - 11 | 90445-11185 | D - 15 |
| 5UN-27222-00 | E - 13 | 1M1-83526-00 | F - 2 | 90105-05361 | D - 11 | 90170-24373 | D - 11 | 90202-05193 | D - 15 | 90445-112K0 | B - 2 |
| 5TJ-27311-50 | E - 11 | 5BF-83550-00 | F - 2 | 90105-06027 | B - 2 | 90179-06568 | D - 7 | 90202-08045 | B - 14 | 90450-22017 | B - 9 |
| 5TJ-27314-50 | E - 11 | 5TJ-8355W-00 | F - 2 | 90105-06553 | C - 6 | 90179-08299 | E - 7 | 90206-06090 | C - 5 | | B - 10 |
| 5ET-27411-00 | E - 11 | 5TJ-8355W-10 | F - 2 | | C - 14 | 90179-08674 | D - 3 | 90209-20008 | C - 13 | 90450-25037 | B - 9 |
| 1HX-27415-00 | F - 4 | 1AE-83578-00 | F - 2 | 90105-065A1 | C - 8 | 90179-10658 | D - 3 | 90209-23012 | C - 13 | 90450-32015 | B - 9 |
| 5ET-27421-00 | E - 11 | 2HR-83592-00 | F - 2 | 90105-08057 | C - 5 | 90179-12657 | E - 14 | 90215-14204 | B - 4 | 90450-54002 | B - 12 |
| 5TA-27491-00 | E - 8 | 5TJ-83912-00 | F - 5 | 90105-08120 | D - 3 | 90179-16672 | E - 4 | 90215-16289 | C - 11 | 90450-57092 | B - 12 |
| 5TA-2814F-00 | D - 4 | 5BE-83913-00 | F - 10 | 90105-08659 | E - 5 | 90179-18001 | C - 11 | 90215-20003 | C - 11 | 90450-61001 | B - 12 |
| 5ET-28166-00 | D - 4 | 5MV-83922-00 | E - 10 | 90105-09002 | B - 2 | | C - 14 | | C - 14 | 90461-11099 | F - 4 |
| 5TJ-2831V-00 | D - 11 | 5TA-83941-00 | F - 5 | 90105-09555 | B - 2 | 90179-28650 | D - 11 | 90240-08120 | E - 11 | 90464-13073 | F - 6 |
| 3FV-28386-00 | B - 13 | 5HD-83951-00 | F - 5 | 90105-10072 | D - 3 | 90183-06023 | B - 13 | 90240-10142 | E - 11 | 90464-13077 | F - 6 |
| 5UM-81410-00 | E - 14 | 5TJ-83976-00 | F - 5 | 90105-10733 | D - 3 | 90185-08055 | E - 11 | 90267-32146 | B - 12 | 90464-15195 | F - 6 |
| 5UM-81450-00 | E - 14 | 5TJ-83976-10 | F - 5 | 90109-06034 | F - 5 | 90185-08169 | E - 7 | 90280-03006 | B - 4 | 90464-23041 | F - 6 |
| 5UM-81528-00 | C - 8 | 583-83981-00 | F - 10 | 90109-063F8 | C - 15 | 90185-10060 | D - 10 | 90338-18064 | B - 7 | 90464-29223 | F - 6 |
| 5UM-81801-00 | E - 15 | 5LP-84126-10 | F - 5 | 90109-06418 | B - 7 | 90185-14007 | D - 8 | 90338-18176 | D - 3 | 90464-50255 | F - 7 |
| 5JJ-81828-00 | E - 15 | 5BF-84310-01 | F - 3 | 90109-065G2 | B - 11 | 90185-16127 | D - 7 | 90340-12112 | B - 2 | 90465-10013 | C - 6 |
| 5UM-81828-00 | E - 15 | 8G9-84314-00 | F - 3 | 90109-065G4 | E - 8 | 90185-20168 | E - 7 | 90340-14128 | C - 7 | 90465-13152 | D - 15 |
| 5UM-8183G-00 | E - 15 | 5PH-84319-50 | F - 2 | 90109-066F0 | B - 3 | 90201-05033 | F - 2 | 90340-27002 | C - 7 | | F - 6 |
| 5UM-81861-00 | E - 15 | 5BF-84330-01 | F - 3 | 90109-08051 | E - 11 | 90201-06057 | F - 4 | 90387-06009 | D - 5 | 90465-13275 | F - 6 |
| 5UM-81890-00 | E - 15 | 5BF-84334-00 | F - 3 | 90109-081G1 | E - 7 | 90201-06557 | D - 5 | 90387-06065 | B - 9 | 90465-16258 | E - 10 |
| 5TJ-81940-10 | F - 6 | 5BF-84335-00 | F - 3 | 90109-082G0 | C - 9 | 90201-06571 | B - 9 | 90387-065L5 | F - 4 | 90467-09006 | D - 6 |

NUMERICAL INDEX

| PART NO. | GRID NO. | PART NO. | GRID NO. | PART NO. | GRID NO. | PART NO. | GRID NO. | PART NO. | GRID NO. | PART NO. | GRID NO. |
|-------------|----------|-------------|----------|-------------|----------|-------------|----------|-------------|----------|----------|----------|
| 90467-10008 | D - 15 | 92017-05008 | F - 2 | 93306-27208 | C - 13 | 95027-06010 | B - 2 | 95804-06010 | C - 5 | | |
| 90467-11106 | B - 2 | 92017-08055 | D - 3 | 93306-90403 | E - 4 | | C - 12 | 95804-06016 | C - 5 | | |
| 90467-14015 | B - 2 | 92907-06600 | B - 7 | 93306-90501 | C - 15 | | D - 7 | 95807-06016 | E - 12 | | |
| 90467-17089 | B - 13 | 92907-08200 | E - 5 | 93310-42057 | C - 10 | | F - 2 | 95817-08016 | D - 4 | | |
| 90468-16191 | E - 11 | 92990-08200 | E - 11 | 93310-63238 | B - 4 | | F - 6 | 95817-08020 | C - 5 | | |
| 90480-01512 | D - 5 | 92990-10200 | E - 11 | 93311-32261 | B - 4 | 95027-06012 | B - 8 | 95817-10050 | D - 3 | | |
| 90480-14102 | F - 4 | 93101-14164 | C - 7 | 93315-32053 | D - 8 | | B - 11 | 95827-06010 | B - 9 | | |
| 90480-14532 | D - 5 | 93102-12106 | B - 8 | 93315-32056 | D - 7 | | D - 4 | | F - 3 | | |
| 90480-15528 | B - 9 | 93102-12224 | C - 11 | 93317-11287 | C - 11 | | E - 8 | 95827-06012 | E - 5 | | |
| 90480-18549 | D - 15 | | D - 2 | 93317-22262 | D - 7 | 95027-06016 | C - 7 | 95827-06014 | F - 10 | | |
| 90501-043E0 | B - 11 | | F - 10 | 93332-00068 | D - 11 | | D - 15 | 95827-06016 | B - 13 | | |
| 90501-052G5 | D - 2 | 93102-18278 | C - 9 | 93332-00081 | D - 11 | | E - 8 | | D - 6 | | |
| 90501-06022 | C - 15 | 93102-26468 | E - 4 | 93340-21008 | C - 11 | 95027-06020 | B - 13 | 95827-08012 | D - 3 | | |
| 90501-147A5 | C - 9 | 93102-28010 | C - 13 | 93342-22217 | D - 7 | | D - 2 | 97007-05016 | F - 10 | | |
| 90501-16016 | C - 9 | 93106-22019 | D - 7 | 93410-20038 | C - 9 | | F - 6 | 97027-06016 | B - 7 | | |
| 90501-220A0 | C - 11 | 93106-30001 | E - 6 | 93410-22039 | C - 13 | 95027-06025 | B - 7 | 97706-40530 | F - 4 | | |
| 90506-16500 | E - 11 | 93106-30045 | E - 6 | 93410-26067 | C - 13 | | B - 8 | 97707-30512 | B - 13 | | |
| 90506-30002 | E - 11 | 93109-11073 | B - 8 | 93420-16086 | B - 4 | | B - 9 | 97707-40016 | B - 12 | | |
| 90508-142B5 | C - 12 | 93109-20076 | D - 7 | 93440-07149 | B - 2 | | B - 10 | 97707-50516 | B - 13 | | |
| 90508-162B2 | F - 10 | 93109-28043 | D - 7 | 93440-07182 | B - 8 | | B - 11 | 97707-60016 | D - 5 | | |
| 90508-26561 | C - 15 | 93210-07003 | B - 11 | | C - 11 | 95027-06030 | C - 7 | 97780-40010 | F - 4 | | |
| 90508-282B8 | E - 11 | 93210-07135 | B - 11 | 93440-10153 | B - 2 | 95027-06035 | B - 3 | 97801-03008 | D - 15 | | |
| 90508-282B9 | E - 11 | 93210-08001 | D - 4 | | B - 10 | | C - 7 | 98502-04012 | B - 14 | | |
| 90508-291A8 | D - 2 | 93210-09008 | B - 11 | 93440-41178 | B - 7 | | C - 7 | 98507-05010 | E - 13 | | |
| 90508-30743 | C - 9 | 93210-10197 | B - 10 | 93503-08007 | B - 11 | 95027-06040 | C - 7 | 98507-05020 | E - 9 | | |
| 91314-06030 | B - 10 | | C - 6 | 93507-32009 | C - 9 | 95027-06050 | D - 7 | | F - 10 | | |
| 91316-04012 | B - 14 | 93210-11073 | E - 11 | 93511-32027 | C - 11 | 95027-06065 | B - 8 | 98507-06025 | C - 6 | | |
| 91317-05008 | D - 7 | 93210-12759 | B - 11 | 93603-16219 | B - 10 | | B - 11 | 98706-04012 | E - 10 | | |
| 91317-05012 | C - 8 | 93210-14369 | C - 7 | 93604-10011 | B - 8 | 95027-08012 | F - 2 | 98707-06025 | D - 15 | | |
| 91317-05020 | E - 14 | 93210-15414 | B - 9 | 93608-33002 | D - 2 | 95027-08016 | D - 4 | 98907-06025 | D - 15 | | |
| 91317-06012 | B - 9 | 93210-16716 | C - 7 | 93612-16254 | B - 3 | 95027-08020 | E - 5 | 98980-06008 | C - 5 | | |
| 91317-06014 | E - 10 | 93210-17570 | C - 9 | | C - 6 | 95027-08035 | D - 11 | 99001-08600 | B - 10 | | |
| | E - 14 | 93210-19123 | C - 7 | 9383B-13218 | C - 13 | 95027-08040 | D - 3 | 99009-12400 | B - 10 | | |
| 91317-06025 | C - 10 | 93210-196A4 | C - 13 | 9383B-14222 | C - 13 | | D - 11 | 99009-16400 | C - 9 | | |
| | E - 15 | 93210-21276 | F - 6 | 94108-21015 | E - 4 | | D - 14 | 99009-17400 | C - 9 | | |
| 91317-06045 | C - 6 | 93210-25711 | E - 15 | 94110-18008 | E - 6 | 95027-08065 | D - 3 | 99009-22500 | C - 7 | | |
| 91317-06055 | C - 6 | 93210-27370 | C - 7 | 94211-18176 | E - 6 | 95027-10016 | C - 6 | 99009-45500 | E - 6 | | |
| 91317-06070 | C - 6 | 93210-47675 | B - 11 | 94227-21101 | E - 4 | 95027-10020 | E - 11 | 99530-08012 | B - 10 | | |
| 91317-06100 | C - 6 | 93210-60426 | C - 7 | 94309-18146 | E - 6 | 95027-10030 | E - 11 | | C - 10 | | |
| 91317-06110 | C - 7 | 93300-60804 | D - 3 | 94309-21161 | E - 4 | 95607-05100 | F - 5 | 99530-08016 | C - 7 | | |
| 91317-08020 | C - 5 | 93306-00105 | B - 8 | 94416-21005 | E - 4 | | F - 10 | 99530-10114 | B - 10 | | |
| 91401-20012 | E - 11 | 93306-00317 | C - 13 | 94418-18006 | E - 6 | 95607-10200 | D - 10 | | C - 6 | | |
| 91401-25015 | E - 11 | 93306-00320 | C - 13 | 94421-18005 | E - 6 | 95617-08620 | B - 2 | 99530-10116 | C - 6 | | |
| 91808-16023 | B - 2 | 93306-07202 | E - 6 | 94591-53114 | B - 7 | 95701-06500 | E - 10 | 9Y58A-76113 | E - 7 | | |
| 91812-16001 | C - 7 | 93306-20335 | B - 4 | 94681-76021 | E - 7 | | B - 3 | | | | |
| 91A11-05125 | D - 6 | 93306-20447 | C - 13 | 94701-00410 | B - 2 | 95704-06500 | F - 4 | | | | |
| 91A20-05140 | D - 6 | 93306-20648 | B - 4 | 94701-00411 | B - 2 | 95707-06500 | B - 2 | | | | |
| 92014-05012 | F - 5 | 93306-27205 | E - 6 | 95027-06008 | F - 7 | | D - 3 | | | | |